

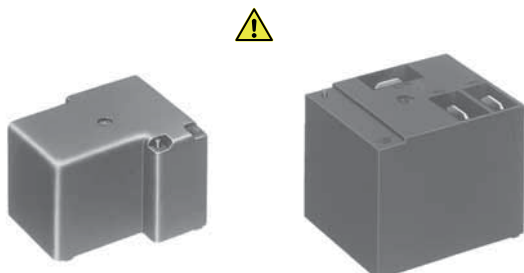
⚠ Not for new applications.



Panasonic
ideas for life

Compact economical
30 A relay

JT-N RELAYS



PCB type

TMP type

⚠ Products are not for new applications.

FEATURES

- High switching capacity — 30 A for 1 Form A
- 2 contact arrangements — 1 Form A or 1 Form C
- “TMP” types available
- UL/CSA recognized
- Class F types standard

SPECIFICATIONS

Contacts

		PCB & TMP type	
Arrangement		1 Form A	1 Form C
Initial contact resistance, max. (By voltage drop method, 6 V DC 1 A)		50 mΩ	
Contact material		AgSnO ₂ type	
Rating	Max. switching power	8310 VA	N.C.: 2770 VA N.O.: 5540 VA
	Max. switching voltage	277 V AC	
	Max. switching current	30 A	N.C.: 10 A N.O.: 20 A
	Min. switching capacity ^{#1}	100 mA, 5 V DC	
Expected life	Mechanical	Min. 1×10 ⁷	
	Electrical (Resistive load)	20 A 277 V AC Min. 1×10 ^{5*}	N.O.: 20 A 277 V AC Min. 1×10 ^{5*} N.C.: 10 A 277 V AC Min. 1×10 ^{5*}

* The life is for open venting-hole condition.

Coil at 20°C 68°F

Nominal operating power	Approx. 800 mW
-------------------------	----------------

Characteristics

		PCB & TMP type	
Initial insulation resistance ^{*1}		Min. 100 MΩ at 500 V DC	
Initial breakdown voltage ^{*2}	Between contacts	1,200 Vrms	
	Between contacts and coil	2,500 Vrms	
Operate time ^{*3} (at nominal voltage)		Max. 20 ms	
Release time (without diode) ^{*3} (at nominal voltage)		Max. 10 ms	
Shock resistance	Functional ^{*4}	Min. 98 m/s ² {10 G}	
	Destructive ^{*5}	Min. 980 m/s ² {100 G}	
Vibration resistance	Functional ^{*6}	Max. 88.2 m/s ² {9 G}, 10 to 55 Hz at double amplitude of 1.5 mm	
	Destructive	Max. 117.6 m/s ² {12 G}, 10 to 55 Hz at double amplitude of 2 mm	
Conditions for operation, transport and storage ^{*7} (Not freezing and condensing at low temperature)	Ambient temp.	-55°C to +85°C -67°F to +185°F	
	Humidity	5 to 85% R.H.	
Unit weight		PCB type: Approx. 25 g (.88 oz) TMP type: Approx. 30 g (1.06 oz)	

^{#1} This value can change due to the switching frequency, environmental conditions, and desired reliability level, therefore it is recommended to check this with the actual load.

Remarks

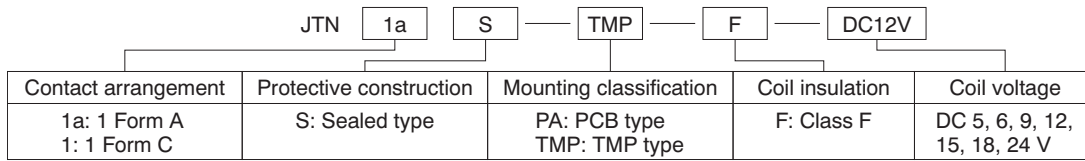
- * Specifications will vary with foreign standards certification ratings.
- ^{*1} Measurement at same location as “Initial breakdown voltage” section
- ^{*2} Detection current: 10 mA
- ^{*3} Excluding contact bounce time
- ^{*4} Half-wave pulse of sine wave: 11ms; detection time: 10μs
- ^{*5} Half-wave pulse of sine wave: 6ms
- ^{*6} Detection time: 10μs
- ^{*7} Refer to “6. Usage, Storage and Transport Conditions” in **AMBIENT ENVIRONMENT** section in Relay Technical Information.

TYPICAL APPLICATIONS

- Automotive
- Air conditioner
- Heating & ventilation
- Home appliance

ORDERING INFORMATION

JT-N Relays (PCB and TMP type)



Notes: 1. UL/CSA approved type is standard.
2. Standard packing: PCB type: Carton: 50 pcs. Case: 500 pcs.
TMP type: Carton: 50 pcs. Case: 300 pcs.

COIL DATA (at 20°C 68°F)

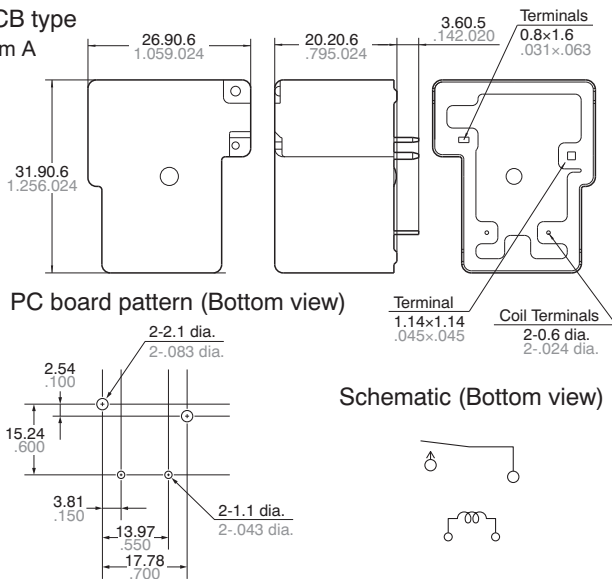
Nominal voltage, V DC	Pick-up voltage, V DC (max.) (Initial)	Drop-out voltage, V DC (min.) (Initial)	Coil resistance, Ω (±10%)		Nominal operating power, mW		Max. allowable voltage, V DC (at 70°C 158°F)
			PCB & TMP	PCB & TMP	PCB & TMP	PCB & TMP	
5	3.75	0.5	31	800	6		
6	4.5	0.6	45	800	7.2		
9	6.75	0.9	101	800	10.8		
12	9.0	1.2	180	800	14.4		
15	11.25	1.5	281	800	18		
18	13.5	1.8	405	800	21.6		
24	18.0	2.4	720	800	28.8		

DIMENSIONS (mm inch)

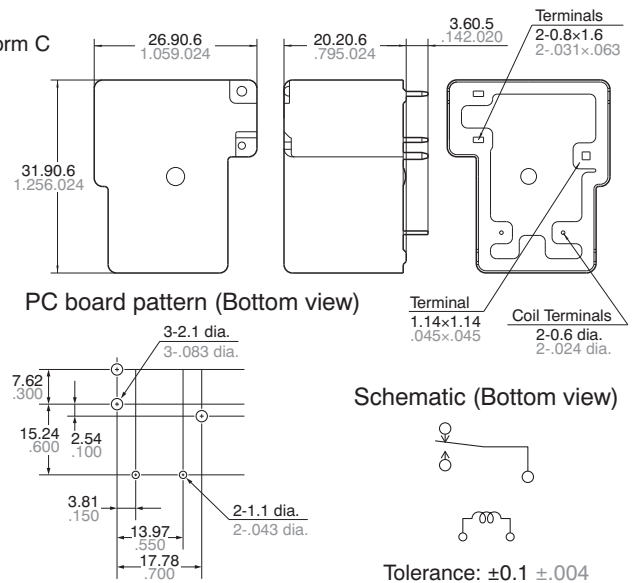
Download [CAD Data](#) from our Web site.

CAD Data

1. PCB type
1 Form A



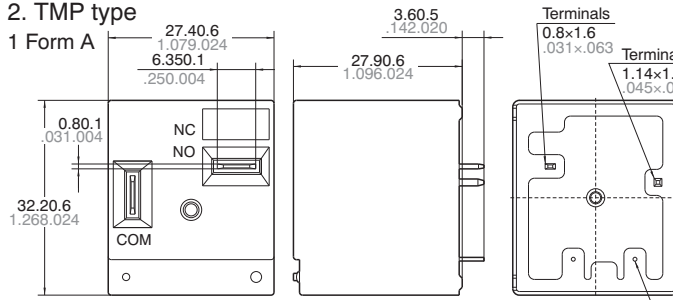
1 Form C



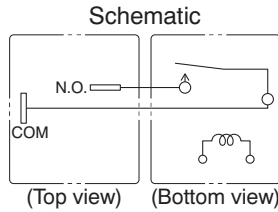
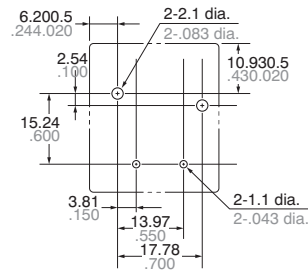
CAD Data

2. TMP type

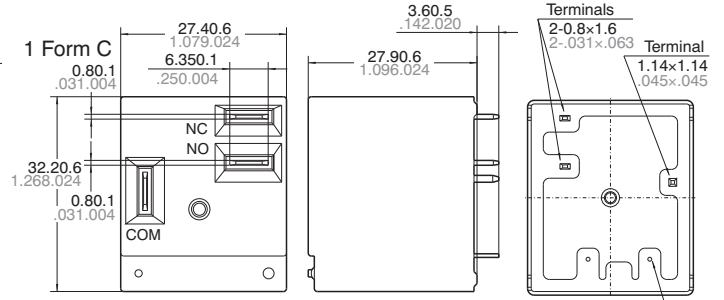
1 Form A



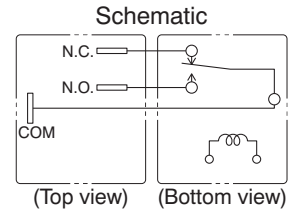
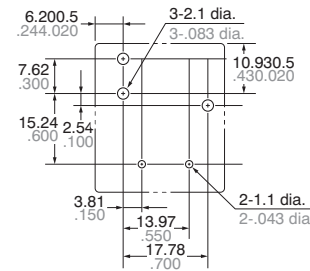
PC board pattern (Bottom view)



1 Form C



PC board pattern (Bottom view)

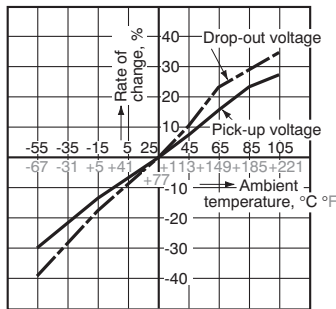


Tolerance: $\pm 0.1 \pm .004$

REFERENCE DATA

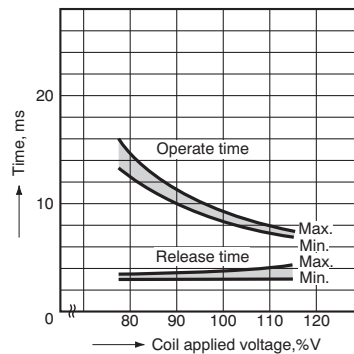
1. Change of rate of pick-up and drop-out voltage (at 20°C 68°F)

Sample: JTN1S-TMP-F-DC24V (6 pcs.)



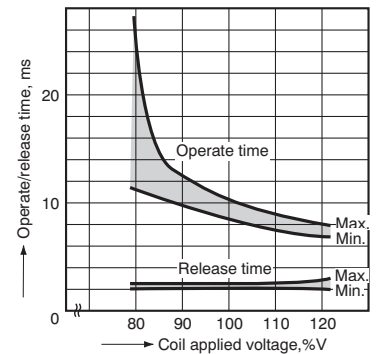
2. Operate & release time (at 20°C 68°F)

Sample: JTN1S-TMP-F-DC24V (6 pcs.)



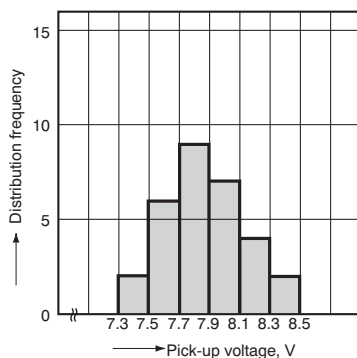
3. Operate & release time (at 20°C 68°F)

Sample: JTN1aS-TMP-F-DC24V (6 pcs.)



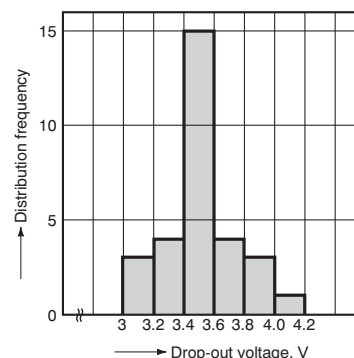
4. Distribution frequency of pick-up voltage (at 20°C 68°F)

Sample: JTN1S-TMP-F-DC12V (30 pcs.)



5. Distribution frequency of drop-out voltage (at 20°C 68°F)

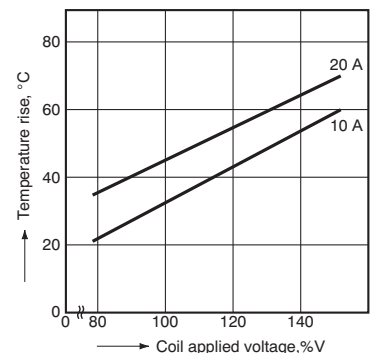
Sample: JTN1S-TMP-F-DC12V (30 pcs.)



6.-(1) Coil temperature rise (TMP type)*

Ambient temperature: 20°C 68°F

Sample: JTN1aS-TMP-F-DC12V (6 pcs.)

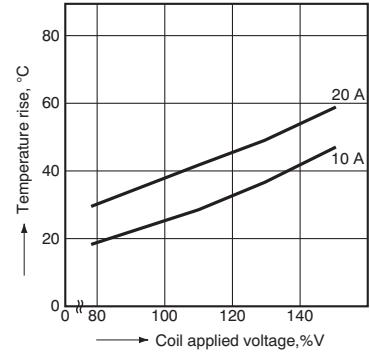
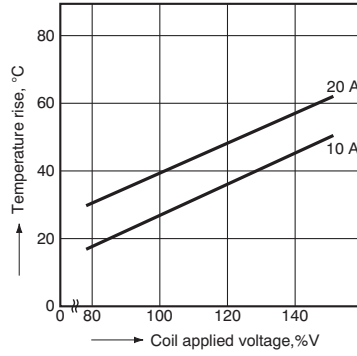
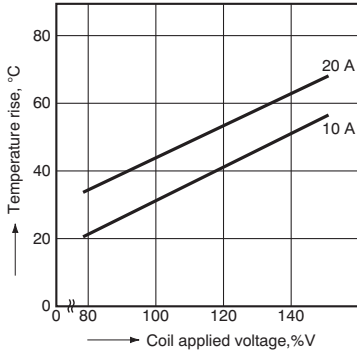


* Coil temperature rise of sealed types are same as data of the dust cover type.

Ambient temperature: 55°C 131°F
 Sample: JTN1aS-TMP-F-DC12V (6 pcs.)

Ambient temperature: 85°C 185°F
 Sample: JTN1aS-TMP-F-DC12V (6 pcs.)

Ambient temperature: 105°C 221°F
 Sample: JTN1aS-TMP-F-DC12V (6 pcs.)



SAFETY STANDARDS

Item	UL/C-UL (Recognized)		
	File No.	Contact rating	
1 Form A	E43028	30A 277V AC, 30A 28V DC, 2HP 250V AC	
1 Form C	N.O.	20A 277V AC, 20A 28V DC, 2HP 250V AC	
	N.C.	10A 277V AC, 10A 28V DC, 1/2HP 250V AC	

* CSA standard: Certified by C-UL

For Cautions for Use, see [Relay Technical Information](#).