

IEC Appliance Inlet C20 with Filter, Front or Rear Side Mounting

Standard- or Medical-Filter



Screw-on mounting
from front side



Snap-in mounting
from front side



Screw-on mounting
from rear side
with wires (stranded)



Description

- Panel Mount:
Screw-on version from front or rear side, snap-in version from front side
- 2 Functions:
Appliance Inlet Protection class I, Line filter in standard and medical version
- Solder, quick connect or wires (stranded)

Approvals

- VDE Certificate Number: 104884
- UL File Number: E72928

Characteristics

- Compact design with optimal shielding
Suitable for assembly in metal plated plastic housings
- Version with class X1 and X2 (standard version) capacitors
- Universal line filter for standard applications
Designed for standard and medical applications
- Suitable for use in equipment according to IEC/UL 60950
Suitable for use in medical equipment according to IEC/UL 60601-1

Other versions on request

- 16A according to UL
- Capacity CX 330 nF

References

Alternative: version without line filter 4793; 4798

Weblinks

[pdf-datasheet](#), [html-datasheet](#), [General Product Information](#), [RoHS](#), [CHINA-RoHS](#), [REACH](#), [Distributor-Stock-Check](#), [Accessories](#), [Detailed request for product](#)

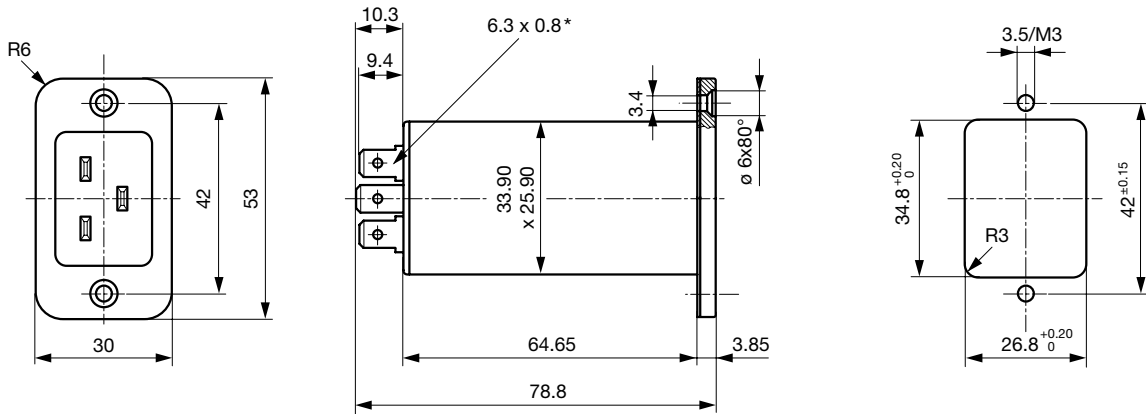
Newly available variants corresponding to V-Lock mating cordset. The connector is equipped with a notch intended for use with the latching cordset. The cord latching system prevents against accidental removal of the cordset.

Technical Data

| | | | |
|---------------------------|--|-------------------------|--|
| Ratings IEC | 16A @ Ta 40 °C / 250VAC; 50Hz | Appliance-Inlet/-Outlet | C20 acc. to IEC 60320-1, UL 498, CSA C22.2 no. 42 (for cold conditions) pin-temperature 70 °C, 16A, Protection Class I |
| Ratings UL/CSA | 20A @ Ta 40 °C / 250VAC; 60Hz | Line Filter | Standard and Medical Version, IEC 60939, UL 1283, CSA C22.2 no. 8 Technical Details |
| Leakage Current | standard < 0.5 mA (250 V / 60Hz) medical < 5 µA (250 V / 60 Hz) | MTBF | > 3'000'000h acc. to MIL-HB-217 F |
| Dielectric Strength | > 1.7 kVDC between L-N > 2.7 kVDC between L/N-PE Test voltage (2 sec) | | |
| Impulse Withstand Voltage | > 2.5 kV between L-N (CX2) > 4 kV between L-N (CX1) > 5 kV between L/N-PE (Cy2) voltage (1.2/50 µs) | | |
| Allowable Operation Temp. | -25 °C to 85 °C | | |
| Climatic Category | 25/085/21 acc. to IEC 60068-1 | | |
| Degree of Protection | from front side IP 40 acc. to IEC 60529 | | |
| Protection Class | Suitable for appliances with protection class I acc. to IEC 61140 | | |
| Terminal | Solder, quick connect or wires (stranded) | | |
| Panel Thickness s | Screw: max 8 mm Mounting screw torque max 0.5 Nm Snap-in: 1 mm to 3 mm | | |
| Material: Housing | Thermoplastic, black, UL 94V-0 | | |

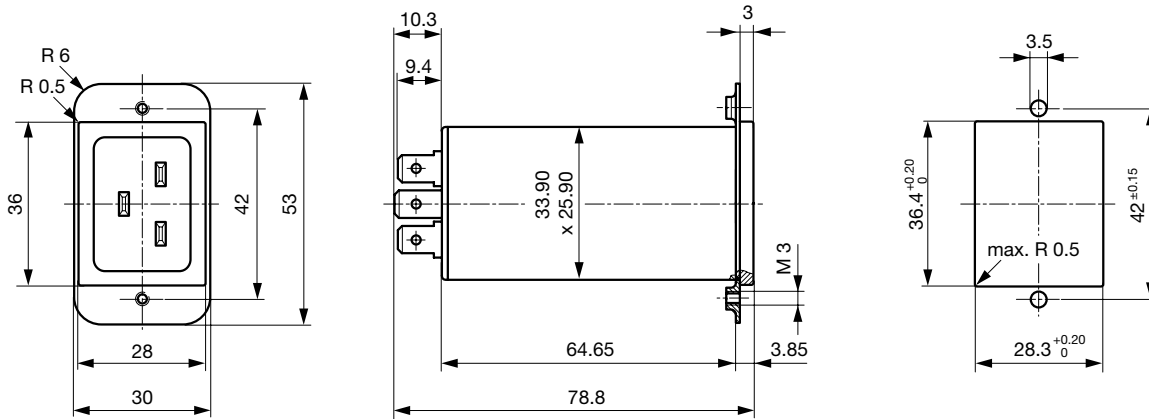
Dimensions

Screw-on mounting from front side

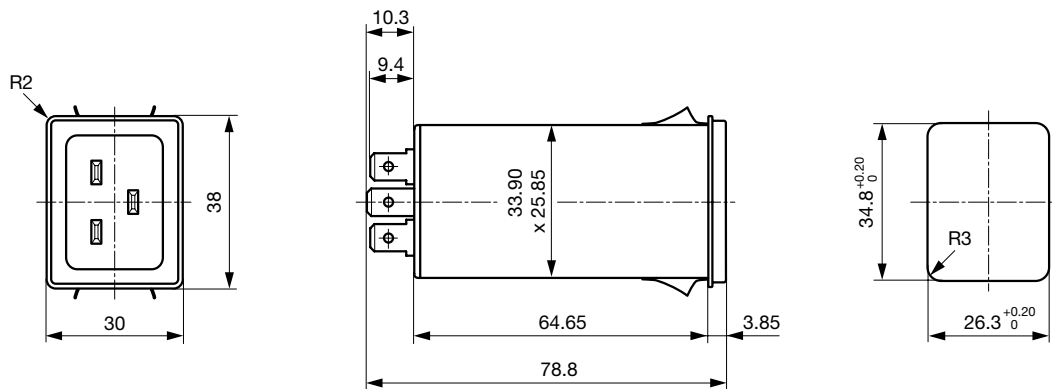


* Solder terminal: identical outer dimensions

Screw-on mounting from rear side with metal flange



Snap-in mounting from front side



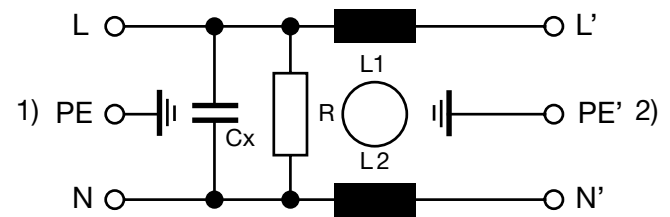
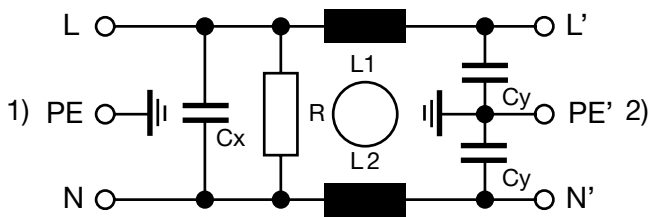
Technical Data of Filter-Components

| Rated Current [A] | Filter-Type | Inductances L [mH] | Capacitance CX [nF] | Capacitance CY [nF] | R [MΩ] |
|-------------------|-----------------------|--------------------|---------------------|---------------------|--------|
| 16 | Standard Version | 2 x 0.3 | 100 | 2.2 | 1 |
| 16 | Medical Version (M5) | 2 x 0.3 | 100 | - | 1 |
| 16 | Medical Version (M80) | 2 x 0.3 | 100 | 0.47 | 1 |

Diagrams

Standard or medical version (M80)

Medical version (M5)



1) Line
2) Load

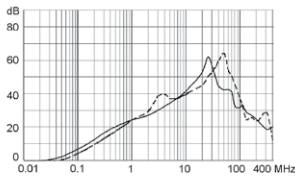
1) Line
2) Load

Attenuation Loss

--- 50Ω differential mode ____ 50Ω common mode

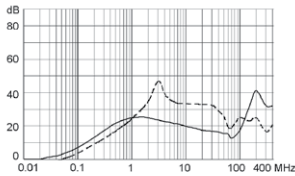
Standard version

20 A



Medical version (M5)

20 A



All Variants

| Rated Current IEC [A] | Rated Current UL [A] | Filter-Type | Panel mounting | Mounting side | Terminal | Capacitor | Order Number |
|-----------------------|----------------------|------------------|----------------|---------------|-----------------------------------|-----------|--------------|
| 16 | 20 | Standard Version | Snap-in | Front Side | Quick connect terminals 6.3 x 0.8 | X2 100nF | C20F.0111 |
| 16 | 20 | Standard Version | Snap-in | Front Side | Quick connect terminals 6.3 x 0.8 | X1 100nF | C20F.0113 |
| 16 | 20 | Standard Version | Snap-in | Front Side | Solder terminals | X2 100nF | C20F.0011 |
| 16 | 20 | Standard Version | Snap-in | Front Side | Solder terminals | X1 100nF | C20F.0013 |
| 16 | 20 | Standard Version | Screw | Front Side | Quick connect terminals 6.3 x 0.8 | X2 100nF | C20F.0101 |
| 16 | 20 | Standard Version | Screw | Front Side | Quick connect terminals 6.3 x 0.8 | X2 100nF | C20F.0101.21 |
| 16 | 20 | Standard Version | Screw | Front Side | Quick connect terminals 6.3 x 0.8 | X1 100nF | C20F.0103 |
| 16 | 20 | Standard Version | Screw | Front Side | Solder terminals | X2 100nF | C20F.0001 |
| 16 | 20 | Standard Version | Screw | Front Side | Solder terminals | X2 100nF | C20F.0001.21 |
| 16 | 20 | Standard Version | Screw | Front Side | Solder terminals | X1 100nF | C20F.0003 |
| 16 | 20 | Standard Version | Screw | Rear Side | Flexible wire AWG14 | X2 100nF | C20F.0221 |
| 16 | 20 | Standard Version | Screw | Rear Side | Flexible wire AWG14 | X1 100nF | C20F.0223 |
| 16 | 20 | Standard Version | Screw | Rear Side | Quick connect terminals 6.3 x 0.8 | X2 100nF | C20F.0121 |
| 16 | 20 | Standard Version | Screw | Rear Side | Quick connect terminals 6.3 x 0.8 | X1 100nF | C20F.0123 |
| 16 | 20 | Standard Version | Screw | Rear Side | Solder terminals | X2 100nF | C20F.0021 |
| 16 | 20 | Standard Version | Screw | Rear Side | Solder terminals | X1 100nF | C20F.0023 |

| Rated Current IEC [A] | Rated Current UL [A] | Filter-Type | Panel mounting | Mounting side | Terminal | Capacitor | Order Number |
|-----------------------|----------------------|----------------------|----------------|---------------|-----------------------------------|-----------|--------------|
| 16 | 20 | Medical Version (M5) | Snap-in | Front Side | Quick connect terminals 6.3 x 0.8 | X2 100nF | C20F.0112 |
| 16 | 20 | Medical Version (M5) | Snap-in | Front Side | Quick connect terminals 6.3 x 0.8 | X1 100nF | C20F.0114 |
| 16 | 20 | Medical Version (M5) | Snap-in | Front Side | Solder terminals | X2 100nF | C20F.0012 |
| 16 | 20 | Medical Version (M5) | Snap-in | Front Side | Solder terminals | X1 100nF | C20F.0014 |
| 16 | 20 | Medical Version (M5) | Screw | Front Side | Quick connect terminals 6.3 x 0.8 | X2 100nF | C20F.0102 |
| 16 | 20 | Medical Version (M5) | Screw | Front Side | Quick connect terminals 6.3 x 0.8 | X1 100nF | C20F.0104 |
| 16 | 20 | Medical Version (M5) | Screw | Front Side | Solder terminals | X2 100nF | C20F.0002 |
| 16 | 20 | Medical Version (M5) | Screw | Front Side | Solder terminals | X1 100nF | C20F.0004 |
| 16 | 20 | Medical Version (M5) | Screw | Rear Side | Flexible wire AWG14 | X2 100nF | C20F.0222 |
| 16 | 20 | Medical Version (M5) | Screw | Rear Side | Flexible wire AWG14 | X1 100nF | C20F.0224 |
| 16 | 20 | Medical Version (M5) | Screw | Rear Side | Quick connect terminals 6.3 x 0.8 | X2 100nF | C20F.0122 |
| 16 | 20 | Medical Version (M5) | Screw | Rear Side | Quick connect terminals 6.3 x 0.8 | X1 100nF | C20F.0124 |
| 16 | 20 | Medical Version (M5) | Screw | Rear Side | Solder terminals | X2 100nF | C20F.0022 |
| 16 | 20 | Medical Version (M5) | Screw | Rear Side | Solder terminals | X1 100nF | C20F.0024 |

Most Popular.

Availability for all products can be searched real-time:<http://www.schurter.com/Stock-Check/Stock-Check-SCHURTER>

Wire length: 150 mm

Suffix "21" corresponds to the version with V-Lock mating cordset. The connector is equipped with a notch intended for use with the latching cordset. The cord latching system prevents against accidental removal of the cordset. Available only for screw-on versions.

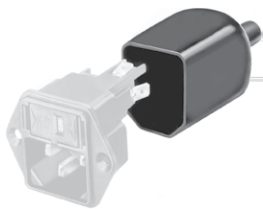
Packaging unit 20 Pcs

Accessories

Description



Wire Harness
Wire harness for SCHURTER products



Assorted Covers
Rear Cover

0859.0047



Cord retaining kits
Cord retaining strain relief

Countersunk, K
Flat head, L

4700.0010
4700.0011

Mating Outlets/Connectors

Category / Description



[Connector Overview complete](#)

| | |
|---|-------|
| IEC Connector C19, Rewireable, Straight | 4795 |
| IEC Connector C19, Rewireable, Angled | 4790 |
| IEC Connector C19, Rewireable, Straight | 0104U |

[Connector further types to C20F](#)

Mating Outlets/Connectors shuttered



[Power Cord Overview complete](#)

| | |
|--|---------|
| Overview Power Cord with IEC Appliance Connector C19, V-Lock, straight | VAC19KS |
|--|---------|

[Power Cord further types to C20F](#)