

Balanced Armature Driver

CI-22955-000

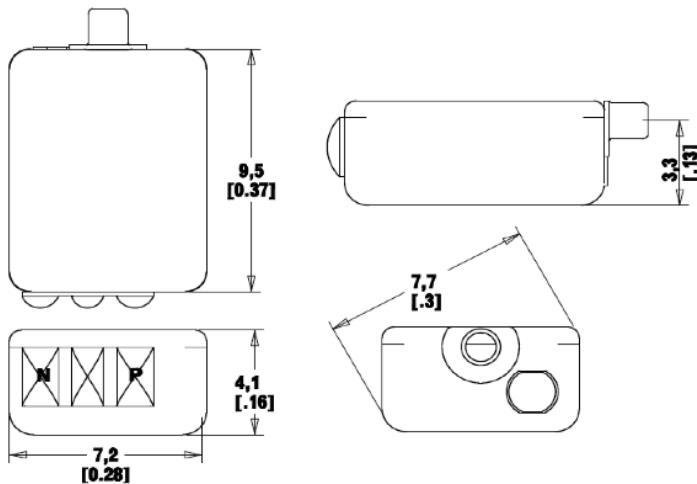
Single Woofer

Product Features:

- High drive capability
- Combines with complimentary mid-high or tweeter driver for full-range audio
- Customization possible (impedance, damping, porting, etc.)
- RoHS compliant



Outline Drawing mm (inches)



Ordering Information:
Model Number: CI-22955-000

Phone: (630) 250-5100
Fax: (630) 250-0575
info@knowles.com

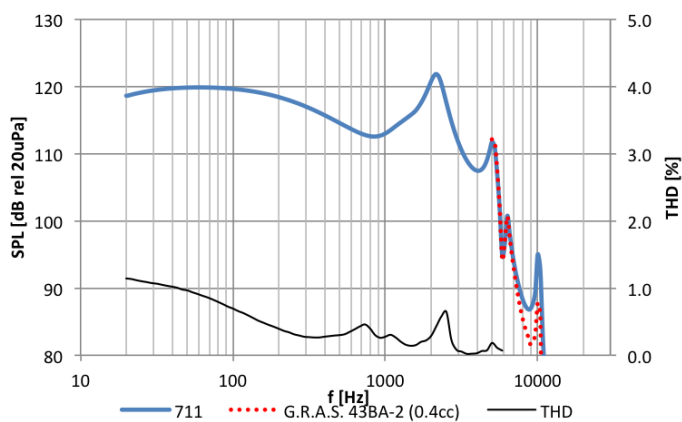
Knowles
1151 Maplewood Drive
Itasca, Illinois 60143

Balanced Armature Driver

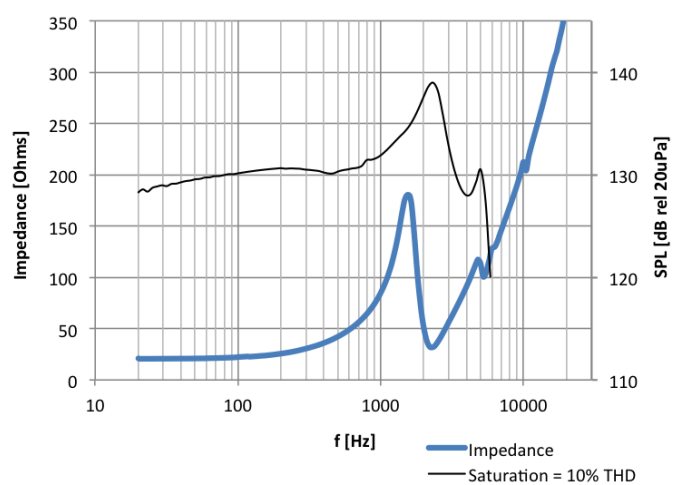
CI-22955-000

Single Woofer

Frequency Response and THD



Impedance and Saturation SPL



Testing Conditions

- using 100mV rms drive signal
- IEC60318-4 (711) coupler with DB2012 adapter
- G.R.A.S. 43BA-2 (0.4cc)
- THD

Typical Performance at 1kHz

Impedance	80	Ohms
Sensitivity to 100mV	112	dB SPL
Sensitivity to 1mW	122	dB SPL
Max SPL ^a	133	dB SPL
THD at 94dB SPL	0.1	%
THD at 100dB SPL	0.1	%

Footnotes:
^a SPL at 10% THD

Note: • Ask about custom assembly options (lead wires, customer-specified materials, etc.)
 • To prevent heat damage, follow soldering guidelines in application note AN13 (knowles.com)
 • Measurement data for reference only. Refer to model specification for full dimensions and performance.

Ordering Information:
 Model Number: CI-22955-000

Phone: (630) 250-5100
 Fax: (630) 250-0575
 info@knowles.com

Knowles
 1151 Maplewood Drive
 Itasca, Illinois 60143