



Raychem | Raychem SST-SR

TE Internal #: CB5407-000

Raychem SST-SR, Heat Shrink Tubing, Black, Single Wall Type, 10.16 Expanded Inside Diameter (Min) .4 Expanded Inside Diameter (Min)

[View on TE.com >](#)

Heat Shrink Tubing



Primary Product Color: **Black**

Wall Type: **Single**

Expanded Inside Diameter (Min): **10.16 mm [.4 in]**

Recovered Inside Diameter (Max): **3.81 mm [.15 in]**

Shrink Ratio: **3:1**

Features

Product Type Features

Wall Type	Single
-----------	--------

Body Features

Fluid Type	De-Icing Fluid, Hydraulic Fluid, Lubricating Oil, Turbine Fuel
Primary Product Color	Black
Shrink Ratio	3:1
Primary Product Material	Irradiated Modified Polyolefin
Flexibility	Semi-Rigid

Dimensions

Expanded Inside Diameter (Min)	10.16 mm[.4 in]
Recovered Inside Diameter (Max)	3.81 mm[.15 in]

Usage Conditions

Fluid Resistance	Moisture/Spray Protection
Shrink Temperature (Min)	90 °C
Heat Shrink Tubing Flammability	Flame-Retardant
Operating Temperature Range	-55 – 110 °C
Heat Shrink Tubing Resistance	Abrasion, Fluids, Moisture
Recovery Temperature	121 °C



Product Availability

Applicable Region	Global
-------------------	--------

Packaging Features

Packaging Method	Piece
------------------	-------

Other

Meets Low Outgassing Requirements	No
-----------------------------------	----

Product Source	US
----------------	----

Product Compliance

[For compliance documentation, visit the product page on TE.com>](#)

EU RoHS Directive 2011/65/EU	Compliant
------------------------------	-----------

EU ELV Directive 2000/53/EC	Compliant
-----------------------------	-----------

China RoHS 2 Directive MIIT Order No 32, 2016	No Restricted Materials Above Threshold
-----------------------------------------------	-----------------------------------------

EU REACH Regulation (EC) No. 1907/2006	Current ECHA Candidate List: JUN 2020 (209) Candidate List Declared Against: JUN 2020 (209) Does not contain REACH SVHC
----------------------------------------	-------------------------------------------------------------------------------------------------------------------------------

Halogen Content	Not Yet Reviewed for halogen content
-----------------	--------------------------------------

Solder Process Capability	Not applicable for solder process capability
---------------------------	----------------------------------------------

Product Compliance Disclaimer

This information is provided based on reasonable inquiry of our suppliers and represents our current actual knowledge based on the information they provided. This information is subject to change. The part numbers that TE has identified as EU RoHS compliant have a maximum concentration of 0.1% by weight in homogenous materials for lead, hexavalent chromium, mercury, PBB, PBDE, DBP, BBP, DEHP, DIBP, and 0.01% for cadmium, or qualify for an exemption to these limits as defined in the Annexes of Directive 2011/65/EU (RoHS2). Finished electrical and electronic equipment products will be CE marked as required by Directive 2011/65/EU. Components may not be CE marked. Additionally, the part numbers that TE has identified as EU ELV compliant have a maximum concentration of 0.1% by weight in homogenous materials for lead, hexavalent chromium, and mercury, and 0.01% for cadmium, or qualify for an exemption to these limits as defined in the Annexes of Directive 2000/53/EC (ELV). Regarding the REACH Regulation, the information TE provides on SVHC in articles for this part number is based on the latest European Chemicals Agency (ECHA) 'Guidance on requirements for substances in articles' posted at this URL: <https://echa.europa.eu/guidance-documents/guidance-on-reach>

Compatible Parts



TE Part # 955018-000
CLTEQ-M105-TUNNEL-OVEN

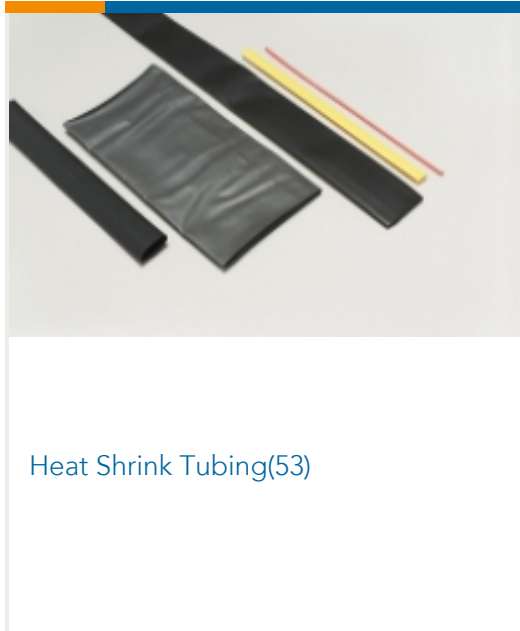


TE Part # 2326489-1
MODEL 105 TUNNEL OVEN, 36"
ENTRY, STAND A



TE Part # CJ1047-000
VBH-1-BED-HTR-220V-3WR

Also in the Series | Raychem SST-SR



Heat Shrink Tubing(53)

Customers Also Bought



TE Part #1735104-1
PT30 XFP Connectors



TE Part #8-1879460-3
Thick Film Resistor: Current Sense



TE Part #2-2176158-4
Metal Chip Resistor: Current Sense



TE Part #9-1676970-0
RN 0603 634R 0.1% 10PPM 1K RL



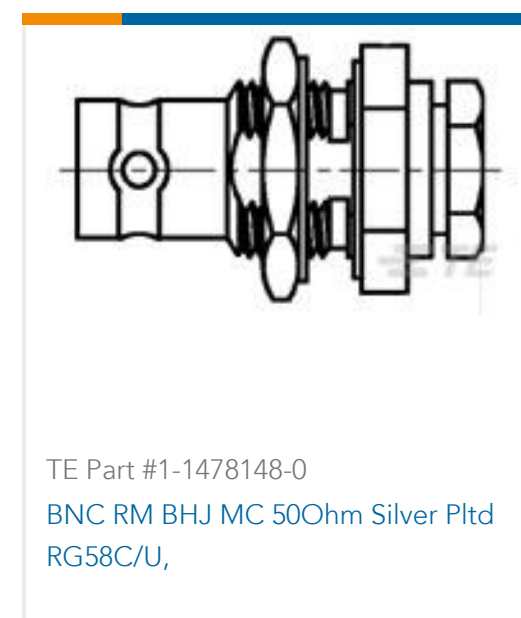
TE Part #YDTS20T11-35SNV001
D38999: Square Flange, 11-35 insert



TE Part #YDTS24W15-05SNV001
D38999: Jam Nut, 15-05 Insert



TE Part #EC0688-000
06163904



TE Part #1-1478148-0
BNC RM BHJ MC 50Ohm Silver Pltd
RG58C/U,



TE Part #CB5406-000
SST-6-04/97



TE Part #CB5411-000
SST-6-07/FR/97



Documents

Datasheets & Catalog Pages

[SST and SST-FR Pages from 9-1773447-9](#)

English

[Application Tooling for Raychem Heat Shrink Product](#)

English

[Measuring_Single_Wall_Tubing](#)

English

[Selecting_Correct_Tubing](#)

English

Product Specifications

[Harnessing Customer Specification Report](#)

English

[Product Specification](#)

English

[Global Dimensional Life for RAYCHEM Heat Shrink Tubing Standard Size Products \(Customer Distribution\)](#)

English