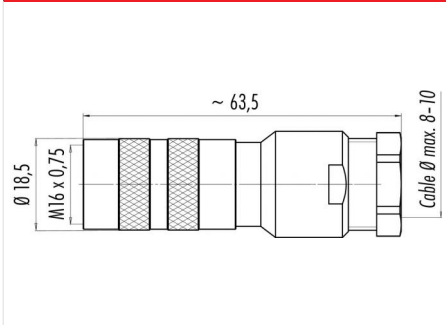


|                     |  |
|---------------------|--|
| Product description | M16 IP67 female cable connector, Contacts: 16, 8.0 - 10.0 mm, shieldable, solder, IP67, UL |
| Area                | M16 IP67 series 423  |
| Order number        | 99 5806 15 16  |

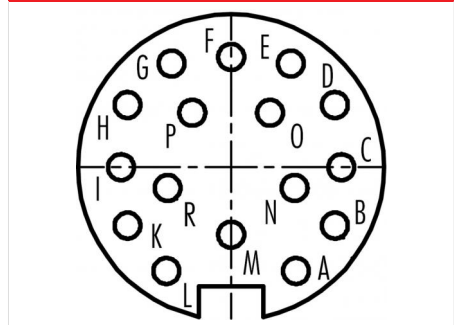
**Illustration**



**Scale drawing**



**Contact arrangement (Plug-in side)**



You can find the component part drawing and assembly instructions on the next page.

**Technical data**

**General values**

|                          |                           |
|--------------------------|---------------------------|
| Connector design         | female cable connector    |
| Connector locking system | screw                     |
| Termination              | solder                    |
| Wire gauge (mm)          | max. 0.25 mm <sup>2</sup> |
| Wire gauge (AWG)         | max. AWG 24               |
| Cable outlet             | 8.0 - 10.0 mm             |
| Upper limit temperature  | 95 °C                     |
| Lower limit temperature  | -30 °C                    |
| Customs tariff number    | 85369010                  |

**Electrical values**

|                           |                      |
|---------------------------|----------------------|
| Rated current (40 °C)     | 3 A                  |
| Rated voltage             | 60 V                 |
| Rated impulse voltage     | 500 V                |
| Pollution degree          | 1                    |
| Overvoltage category      | I                    |
| Insulating material group | III                  |
| Insulation resistance     | ≥ 10 <sup>10</sup> Ω |
| EMC compliance            | shieldable           |
| Degree of protection      | IP67                 |
| Mechanical operation      | > 500 Mating cycles  |

**Material**

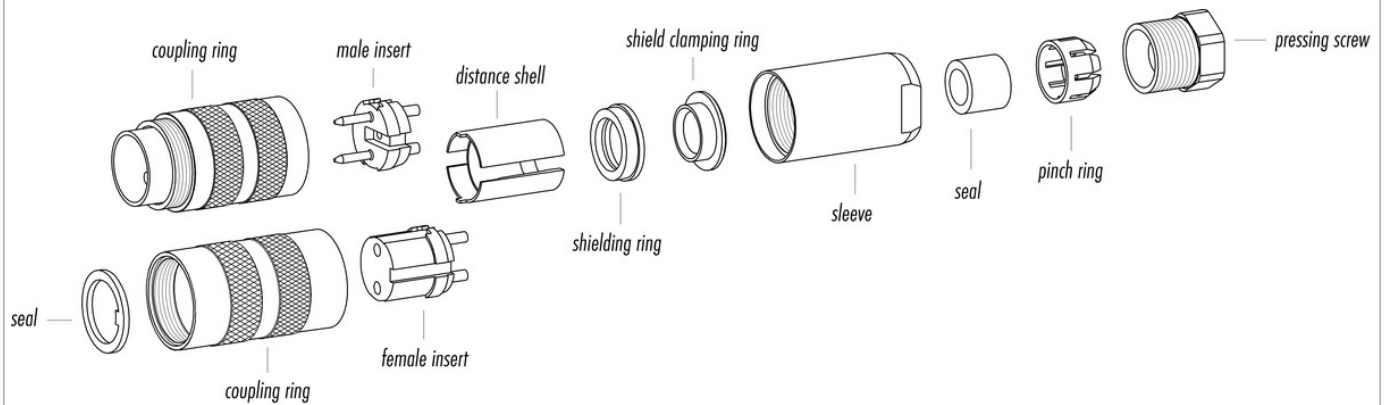
|                       |                      |
|-----------------------|----------------------|
| Contact material      | CuSn (bronze)        |
| Contact plating       | Au (gold)            |
| Contact body material | PBT (UL94 V-0)       |
| REACH SVHC            | CAS 7439-92-1 (Lead) |

**authorization/approvals**

|            |    |
|------------|----|
| Approval 1 | UL |
|------------|----|

|                     |  |
|---------------------|--|
| Product description | M16 IP67 female cable connector, Contacts: 16, 8.0 - 10.0 mm, shieldable, solder, IP67, UL |
| Area                | M16 IP67 series 423  |
| Order number        | 99 5806 15 16  |

Component part drawing

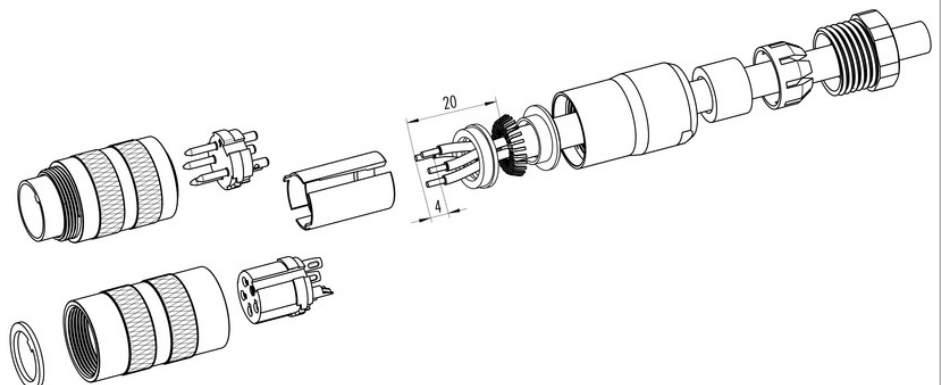


Assembly instructions / Panel cut-out

**Straight version**

(Version with shield clamping ring)

1. Bead pressing screw, pinch ring, seal, distance shell and first shield clamping ring on cable.
2. Strip wires, widen shield and bead second shield clamping ring.
3. Solder wires, snap distance shell, push the two shield clamping rings together and cut off projecting shielding braid.
4. Assemble remaining parts according to picture.



|                     |  |
|---------------------|--|
| Product description | M16 IP67 female cable connector, Contacts: 16, 8.0 - 10.0 mm, shieldable, solder, IP67, UL |
| Area                | M16 IP67 series 423  |
| Order number        | 99 5806 15 16  |

## Security notices

The connectors have been developed for applications in plant engineering, control and electrical equipment construction. The user is responsible for checking whether the connectors can also be used in other areas of application.

Plug connectors with enclosure protection IP 67 and IP 68 are not suitable for use under water. When used outdoors, the plug connectors must be protected separately against corrosion. For further information on the IP protection classes, please refer to the "Technical Information" download centre. To lock the cable connector with the device connector, the threaded ring is tightened "hand-tight" (approx. 50 cNm).