
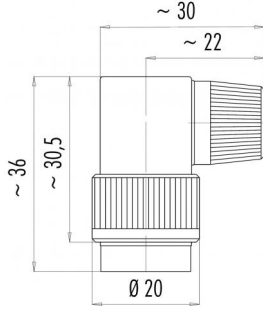
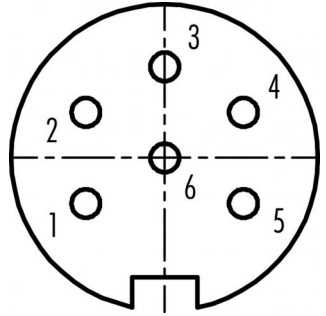


Product description	Bayonet female angled connector, Contacts: 6 DIN, 6.0 - 8.0 mm, unshielded, solder, IP40
Area	Bayonet series 678
Order number	99 0618 72 06

Illustration	Scale drawing	Contact arrangement (Plug-in side)
		

You can find the component part drawing on the next page.

Technical data

General values

Connector design	female angled connector
Connector locking system	Bayonet
Termination	solder
Wire gauge (mm)	max. 0.75 mm ²
Wire gauge (AWG)	max. AWG 18
Cable outlet	6.0 - 8.0 mm
Upper limit temperature	85 °C
Lower limit temperature	-40 °C
Customs tariff number	85369010

Electrical values

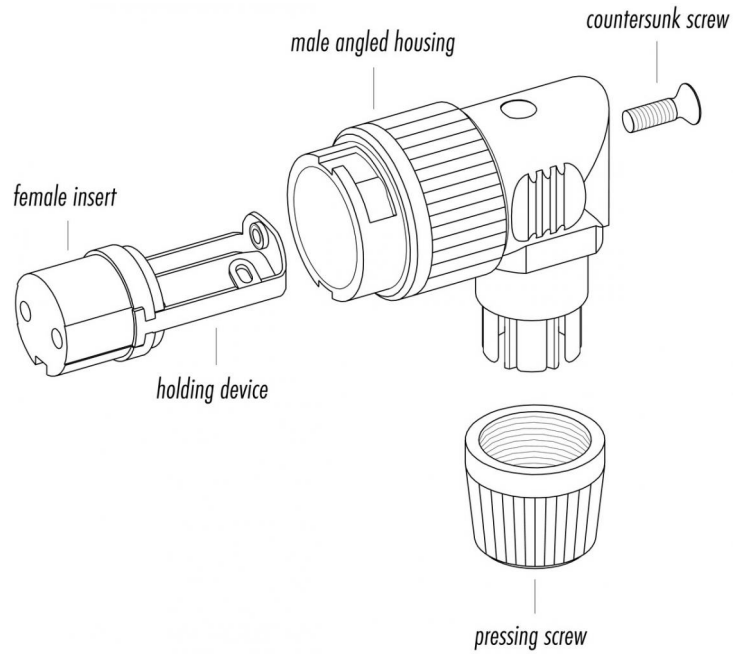
Rated current (40 °C)	6 A
Rated voltage	250 V
Rated impulse voltage	1500 V
Pollution degree	1
Overvoltage category	I
Insulating material group	III
Insulation resistance	≥ 10 ¹⁰ Ω
EMC compliance	unshielded
Degree of protection	IP40
Mechanical operation	> 500 Mating cycles

Material

Contact material	CuSn (bronze)
Contact plating	Ag (silver)
Contact body material	PBT (UL94 V-0)
Housing material	PA
REACH SVHC	CAS 7439-92-1 (Lead)

Product description	Bayonet female angled connector, Contacts: 6 DIN, 6.0 - 8.0 mm, unshielded, solder, IP40
Area	Bayonet series 678
Order number	99 0618 72 06

Component part drawing



Product description	Bayonet female angled connector, Contacts: 6 DIN, 6.0 - 8.0 mm, unshielded, solder, IP40
Area	Bayonet series 678
Order number	99 0618 72 06

Security notices

The connector must not be plugged or unplugged under load. Non-observance and improper use can result in personal injury.

The connectors have been developed for applications in plant engineering, control and electrical equipment construction. The user is responsible for checking whether the connectors can also be used in other areas of application.

Connectors which are used in circuits with voltages dangerous to the touch may only be installed and used by, or under the supervision of, persons with electrical engineering training, taking into account the applicable regulations and standards.

The plug connector is not suitable for mains voltages. Please observe the pollution degree and the overvoltage category. For further information, please refer to the download center "Technical Information".