

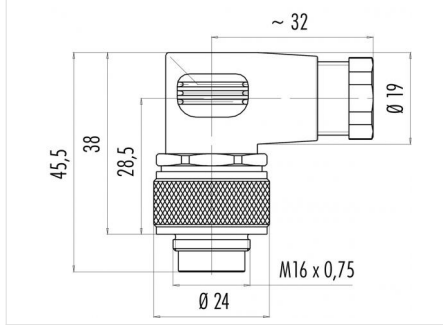
Product description **M16 IP67 male angled connector, Contacts: 24, 6.0 - 8.0 mm, unshielded, solder, IP67**

Area **M16 IP67 series 723**  
 Order number **99 0495 75 24**

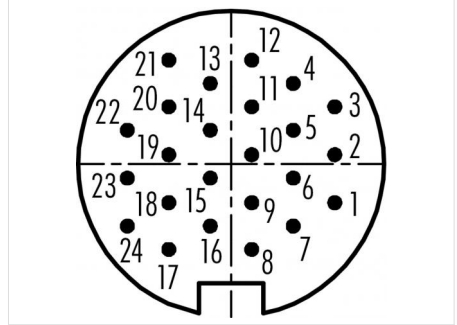
**Illustration**



**Scale drawing**



**Contact arrangement (Plug-in side)**



You can find the component part drawing on the next page.

**Technical data**

**General values**

Connector design	male angled connector
Connector locking system	screw
Termination	solder
Wire gauge (mm)	0.14 mm <sup>2</sup>
Wire gauge (AWG)	AWG 26
Cable outlet	6.0 - 8.0 mm
Upper limit temperature	95 °C
Lower limit temperature	-40 °C
Customs tariff number	85369010

**Electrical values**

Rated current (40 °C)	1 A
Rated voltage	60 V
Rated impulse voltage	500 V
Pollution degree	1
Overvoltage category	I
Insulating material group	III
Insulation resistance	≥ 10 <sup>10</sup> Ω
EMC compliance	unshielded
Degree of protection	IP67
Mechanical operation	> 500 Mating cycles

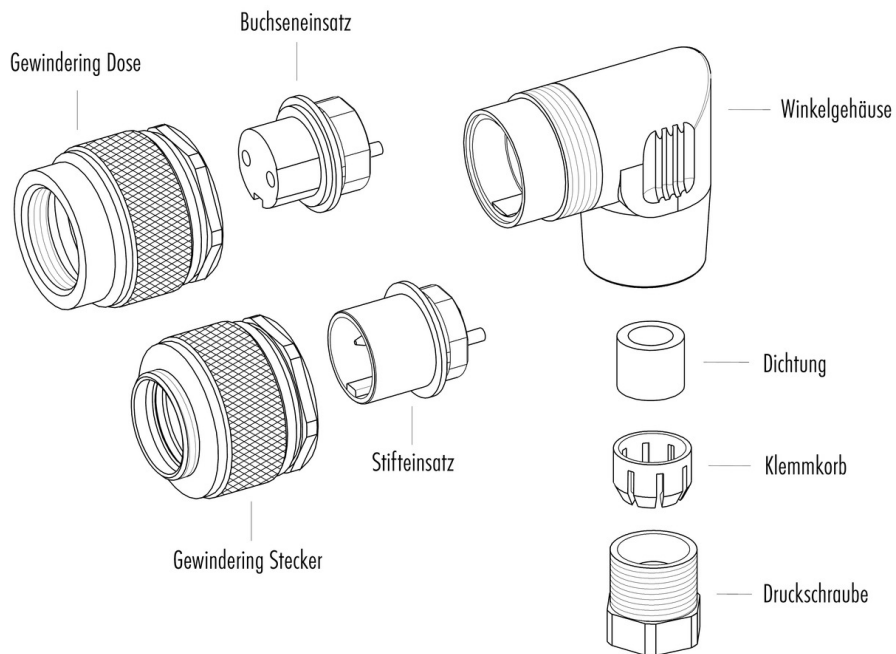
**Material**

Contact material	CuZn (brass)
Contact plating	Au (gold)
Contact body material	PBT (UL94 V-0)
Housing material	PA
REACH SVHC	CAS 7439-92-1 (Lead)

Product description M16 IP67 male angled connector, Contacts: 24, 6.0 - 8.0 mm, unshielded, solder, IP67

Area M16 IP67 series 723  
Order number 99 0495 75 24

### Component part drawing



Product description	<b>M16 IP67 male angled connector, Contacts: 24, 6.0 - 8.0 mm, unshielded, solder, IP67</b>
Area	<b>M16 IP67 series 723</b>
Order number	<b>99 0495 75 24</b>

## Security notices

The connectors have been developed for applications in plant engineering, control and electrical equipment construction. The user is responsible for checking whether the connectors can also be used in other areas of application.

Plug connectors with enclosure protection IP 67 and IP 68 are not suitable for use under water. When used outdoors, the plug connectors must be protected separately against corrosion. For further information on the IP protection classes, please refer to the "Technical Information" download centre. To lock the cable connector with the device connector, the threaded ring is tightened "hand-tight" (approx. 50 cNm).