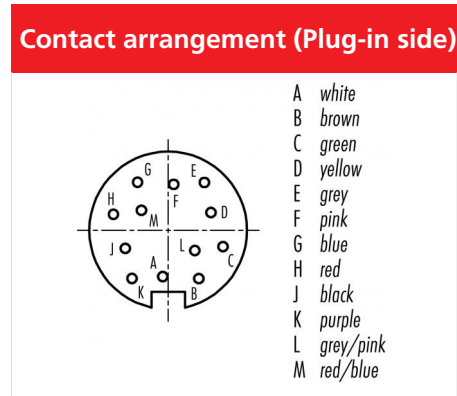
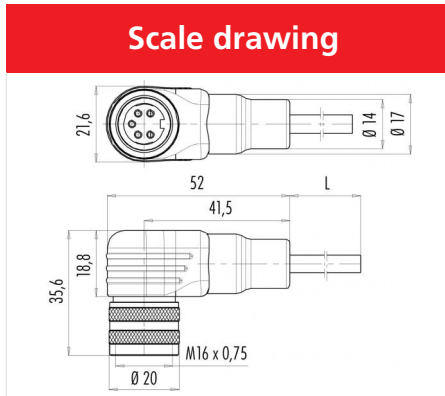


Product description	M16 IP67 female angled connector, Contacts: 12, shielded, moulded on cable, IP67, TPE-U (PUR) black, 12 x 0.25 mm ²
Area	M16 IP67 series 425
Order number	79 6330 200 12



Technical data

General values

Connector design	female angled connector
Connector locking system	screw
Termination	moulded on cable
Wire gauge (mm)	0.25 mm ²
Wire gauge (AWG)	AWG 24
Upper limit temperature	70 °C
Lower limit temperature	-25 °C
Customs tariff number	85444290

Electrical values

Rated current (40 °C)	3 A
Rated voltage	60 V
Rated impulse voltage	500 V
Pollution degree	1
Overvoltage category	I
Insulating material group	III
Insulation resistance	≥ 10 ¹⁰ Ω
EMC compliance	shielded
Degree of protection	IP67
Mechanical operation	> 500 Mating cycles

Cable data

Cable length	2 m
Sheath material	TPE-U (PUR)
Single-lead insulation	PE 2Y
Halogen free	Yes
Single-lead structure	14x0,15 mm mm
Cable diameter	7.8 mm
Cable color	black
Conductor resistance	79
Temperature range, moving cable, °C from -55°C	
Temperature range, moving cable, °C to +70°C	
Temperature range, fixed cable, °C from -25°C	
Temperature range, fixed cable, °C to +70°C	
Bending radius, fixed cable	≥ 5 x Ø
Bending radius, moving cable	≥ 12 x Ø

Material

Contact material	CuSn (bronze)
Contact plating	Au (gold)
Contact body material	PBT (UL94 V-0)
Housing material	PUR
REACH SVHC	CAS 7439-92-1 (Lead)

Product description	M16 IP67 female angled connector, Contacts: 12, shielded, moulded on cable, IP67, TPE-U (PUR) black, 12 x 0.25 mm²
Area	M16 IP67 series 425
Order number	79 6330 200 12

Security notices

The connectors have been developed for applications in plant engineering, control and electrical equipment construction. The user is responsible for checking whether the connectors can also be used in other areas of application.

Plug connectors with enclosure protection IP 67 and IP 68 are not suitable for use under water. When used outdoors, the plug connectors must be protected separately against corrosion. For further information on the IP protection classes, please refer to the "Technical Information" download centre. To lock the cable connector with the device connector, the threaded ring is tightened "hand-tight" (approx. 50 cNm).