

Product description	M16 IP67 square female panel mount connector, Contacts: 16, unshielded, solder, IP67, UL
Area	M16 IP67 series 723
Order number	09 0508 300 16

Illustration	Scale drawing	Contact arrangement (Plug-in side)

You can find the assembly instructions on the next page.

Technical data

General values

Connector design	square female panel mount connector
Connector locking system	screw
Termination	solder
Wire gauge (mm)	0.25 mm ²
Wire gauge (AWG)	AWG 24
Upper limit temperature	95 °C
Lower limit temperature	-40 °C
Customs tariff number	85369010

Electrical values

Rated current (40 °C)	3 A
Rated voltage	60 V
Rated impulse voltage	500 V
Pollution degree	1
Overvoltage category	I
Insulating material group	III
Insulation resistance	≥ 10 ¹⁰ Ω
EMC compliance	unshielded
Degree of protection	IP67
Mechanical operation	> 500 Mating cycles

Material

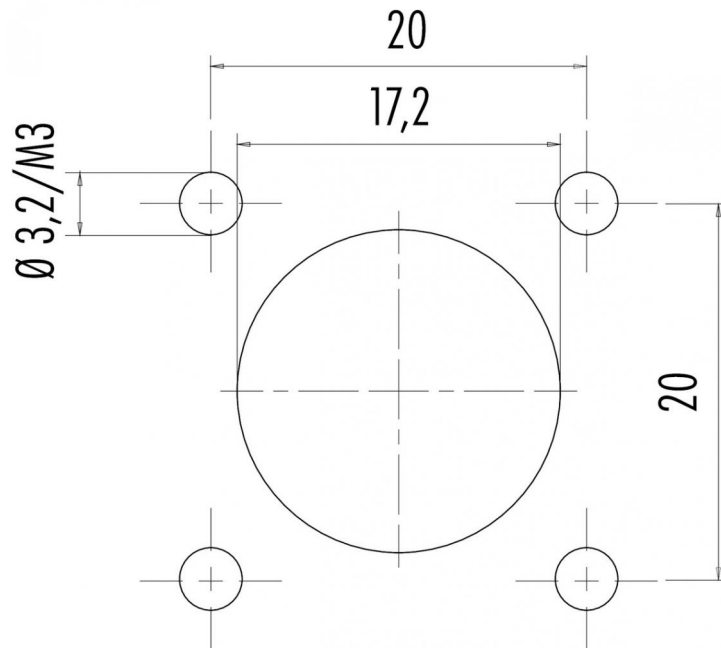
Contact material	CuZn (brass)
Contact plating	Au (gold)
Contact body material	PBT (UL94 V-0)
Housing material	Zinc die-cast nickel-plated
Locking material	Zinc die-cast nickel-plated
REACH SVHC	CAS 7439-92-1 (Lead)

authorization/approvals

Approval 1	UL
------------	----

Product description	M16 IP67 square female panel mount connector, Contacts: 16, unshielded, solder, IP67, UL
Area	M16 IP67 series 723
Order number	09 0508 300 16

Assembly instructions / Panel cut-out



Product description	M16 IP67 square female panel mount connector, Contacts: 16, unshielded, solder, IP67, UL
Area	M16 IP67 series 723
Order number	09 0508 300 16

Security notices

The connectors have been developed for applications in plant engineering, control and electrical equipment construction. The user is responsible for checking whether the connectors can also be used in other areas of application.

The protection class specification applies on condition that the four mounting holes are made as blind holes.

Plug connectors with enclosure protection IP 67 and IP 68 are not suitable for use under water. When used outdoors, the plug connectors must be protected separately against corrosion. For further information on the IP protection classes, please refer to the "Technical Information" download centre.