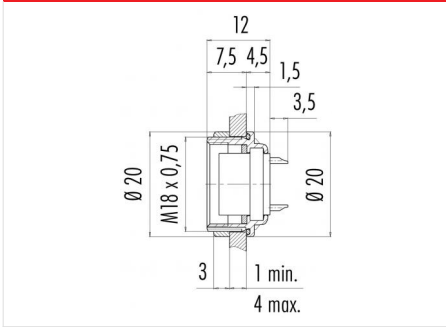


|                     |   |
|---------------------|---|
| Product description | M16 IP67 female panel mount connector, Contacts: 24, unshielded, solder, IP67, UL, front mounting |
| Area                | M16 IP67 series 723   |
| Order number        | 09 0498 80 24   |

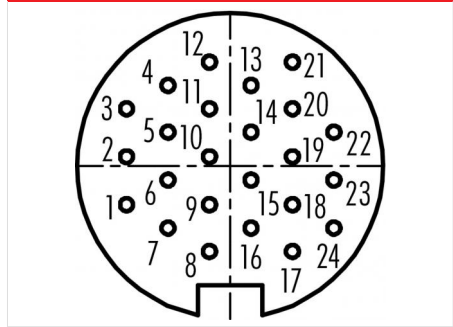
**Illustration**



**Scale drawing**



**Contact arrangement (Plug-in side)**



You can find the assembly instructions on the next page.

**Technical data**

**General values**

|                          |                              |
|--------------------------|------------------------------|
| Connector design         | female panel mount connector |
| Connector locking system | screw                        |
| Termination              | solder                       |
| Wire gauge (mm)          | 0.14 mm <sup>2</sup>         |
| Wire gauge (AWG)         | AWG 26                       |
| Upper limit temperature  | 95 °C                        |
| Lower limit temperature  | -40 °C                       |
| Customs tariff number    | 85369010                     |

**Electrical values**

|                           |                      |
|---------------------------|----------------------|
| Rated current (40 °C)     | 1 A                  |
| Rated voltage             | 60 V                 |
| Rated impulse voltage     | 500 V                |
| Pollution degree          | 1                    |
| Overvoltage category      | I                    |
| Insulating material group | III                  |
| Insulation resistance     | ≥ 10 <sup>10</sup> Ω |
| EMC compliance            | unshielded           |
| Degree of protection      | IP67                 |
| Mechanical operation      | > 500 Mating cycles  |

**Material**

|                       |                             |
|-----------------------|-----------------------------|
| Contact material      | CuSn (bronze)               |
| Contact plating       | Au (gold)                   |
| Contact body material | PBT (UL94 V-0)              |
| Housing material      | Zinc die-cast nickel-plated |
| REACH SVHC            | CAS 7439-92-1 (Lead)        |

**authorization/approvals**

|            |    |
|------------|----|
| Approval 1 | UL |
|------------|----|

|                     |   |
|---------------------|---|
| Product description | M16 IP67 female panel mount connector, Contacts: 24, unshielded, solder, IP67, UL, front mounting |
| Area                | M16 IP67 series 723   |
| Order number        | 09 0498 80 24   |

Assembly instructions / Panel cut-out



|                     |   |
|---------------------|---|
| Product description | M16 IP67 female panel mount connector, Contacts: 24, unshielded, solder, IP67, UL, front mounting |
| Area                | M16 IP67 series 723   |
| Order number        | 09 0498 80 24   |

## Security notices

The connectors have been developed for applications in plant engineering, control and electrical equipment construction. The user is responsible for checking whether the connectors can also be used in other areas of application.

Plug connectors with enclosure protection IP 67 and IP 68 are not suitable for use under water. When used outdoors, the plug connectors must be protected separately against corrosion. For further information on the IP protection classes, please refer to the "Technical Information" download centre.