

General Specifications

Motor Structure: Capacitor-Run Induction Motor
 Motor Protection: J~K Impedance Protection / L Thermal Protection
 Insulation Resistance: 100M Ohm or over with DC500V Megger
 Dielectric Withstand Voltage: AC 1800V 3s
 Allowable Ambient Temperature Range:
 -10 degree C ~ +70 degree C (Operating)
 -40 degree C ~ +70 degree C (Storage)
 (non-condensing environment)

Material

Casing: Aluminum Black Painting
 Impeller: Plastic (Black) UL94V-0
 Lead Wire or Terminal: STP-1 2X0.824mm2 AWG22, Faston #110 or equivalent

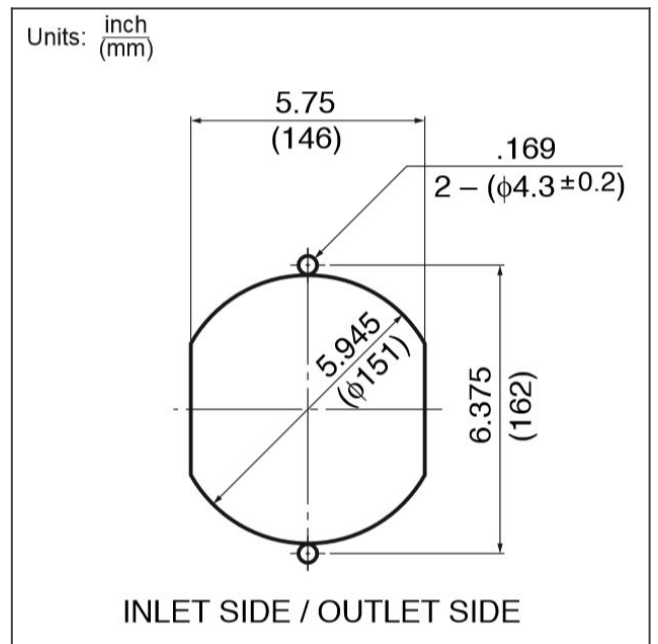
order part 15038PB-B2L-EPS-00_50Hz Ball Bearing Fan Plastic Blades Standard AC Axial Fans

order part 15038PB-B2L-EPS-00_50Hz Ball Bearing Fan Plastic Blades Standard AC Axial Fans

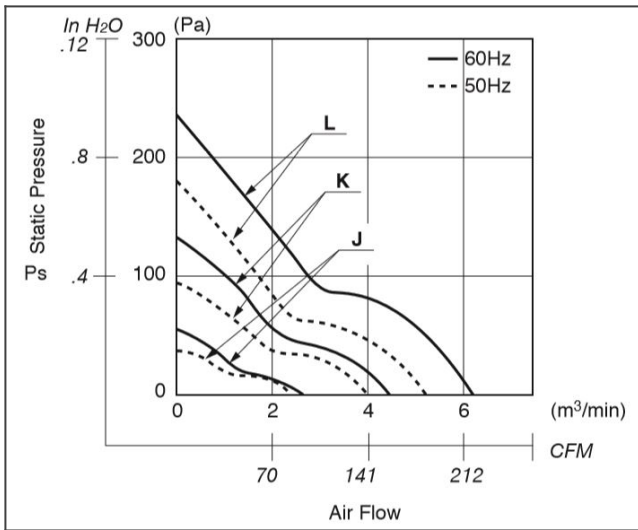
AC Axial Fans



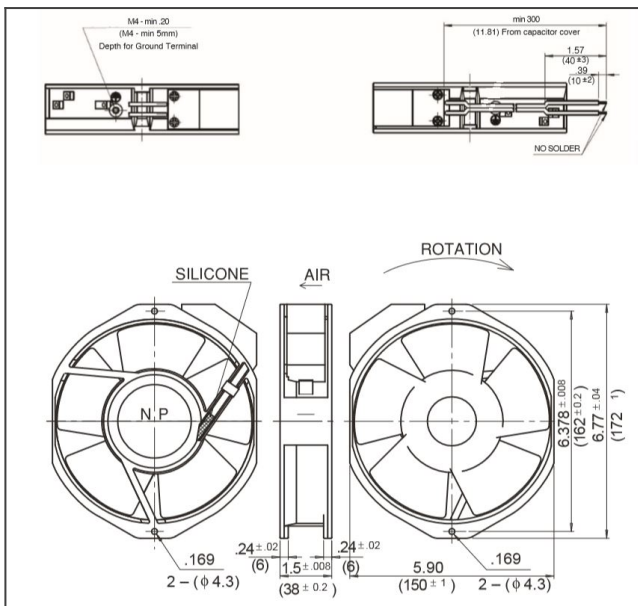
15038PB-B2L-EPS plastic std panel cut out



15038PB-B2L-EPS plastic std characteristics curve



15038PB-B2L-EPS plastic std product drawing



AC Axial Fans

Detailed Specifications

Expected Life:	*Failure rate 10% 25deg.C 100,000 hours
Nominal Voltage:	220[V]
Frequency:	50[Hz]
Starting Voltage:	145[V]
Industry:	Industrial Machines
AC Fans:	Ball Bearing Fan Plastic Blades Standard
Current:	0.25[A]
Input Power (+10% - 20%):	42[V]
Speed:	2650[min^{-1}]
Max. Air Flow:	5.3[m^3/min]
Max. Air Flow:	189.3[CFM]
Max. Static Pressure:	127.5[Pa]
Max. Static Pressure:	0.51[In H ₂ O]
Noise:	48[dB]
Fan Size:	150[mm]
Fan Width:	38[mm]
Mass:	900[g]