



Alcoswitch

TE Internal #: 1825537-3

Rotary Switches, 4 Position, Long Thin Knob Actuator Style, Rotary Switch Style, Rotary Rotary Switch Type, 4 Switch, Epoxy

[View on TE.com >](#)

Relays, Contactors & Switches > Switches > Rotary Switches



Number of Rotary Switch Positions: **4**

Actuator Style: **Long Thin Knob**

Switch Style: **Rotary**

Rotary Switch Type: **Rotary**

Number of Switches: **4**

Features

Product Type Features

| | |
|----------------------|----------------|
| Removable Tape Seal | Without |
| Product Type | Switch |
| Illuminated | No |
| Actuator Style | Long Thin Knob |
| Switch Style | Rotary |
| Rotary Switch Type | Rotary |
| Sealed Rotary Switch | No |
| Code Type | 3 Poles |
| Angle of Throw | 15 |

Configuration Features

| | |
|-----------------------------------|---|
| Number of Rotary Switch Positions | 4 |
| Number of Switches | 4 |

Electrical Characteristics

| | |
|------------------------------|--------|
| Rotary Switch Voltage Rating | 20 VAC |
|------------------------------|--------|

Contact Features

| | |
|--|------------------|
| Solder Tail Contact Plating | Gold over Nickel |
| Rotary Switch Contact Current Rating | .4 A |
| Rotary Switch Contact Mating Area Plating Material | Gold |
| Contact Base Material | Brass |



Mechanical Attachment

| | |
|------------------------------|-----------------------|
| Rotary Switch Mounting Type | Printed Circuit Board |
| Rotary Switch Mounting Angle | Straight |

Housing Features

| | |
|--------------------------------|-------|
| Rotary Switch Housing Material | Epoxy |
|--------------------------------|-------|

Usage Conditions

| | |
|-----------|----|
| Oil-Tight | No |
|-----------|----|

Other

| | |
|---------|-------|
| Comment | Fixed |
|---------|-------|

Product Compliance

[For compliance documentation, visit the product page on TE.com>](#)

| | |
|---|---|
| EU RoHS Directive 2011/65/EU | Not Compliant |
| EU ELV Directive 2000/53/EC | Compliant with Exemptions |
| China RoHS 2 Directive MIIT Order No 32, 2016 | No Restricted Materials Above Threshold |
| EU REACH Regulation (EC) No. 1907/2006 | Current ECHA Candidate List: JUN 2020 (209) Candidate List Declared Against: JUL 2019 (201) SVHC > Threshold: Pb (3.7% in Shaft) Pb (3.7% in Nut) Article Safe Usage Statements: Do not eat, drink or smoke when using this product. Wash thoroughly after handling. Recycle if possible and dispose of the article by following all applicable governmental regulations relevant to your geographic location. |
| Halogen Content | Not Low Halogen - contains Br or Cl > 900 ppm. |
| Solder Process Capability | Wave solder capable to 265°C |

Product Compliance Disclaimer

This information is provided based on reasonable inquiry of our suppliers and represents our current actual knowledge based on the information they provided. This information is subject to change. The part numbers that TE has identified as EU RoHS compliant have a maximum concentration of 0.1% by weight in homogenous materials for lead, hexavalent chromium, mercury, PBB, PBDE, DBP, BBP, DEHP, DIBP, and 0.01% for cadmium, or qualify for an exemption to these limits as defined in the Annexes of Directive 2011/65/EU (RoHS2). Finished electrical and electronic equipment products will be CE marked as required by Directive 2011/65/EU. Components may not be CE marked. Additionally, the part numbers that TE has identified as EU ELV compliant have a maximum concentration of 0.1% by weight in homogenous materials for lead, hexavalent chromium, and mercury, and 0.01% for cadmium, or qualify for an exemption to these limits as defined in the Annexes of Directive 2000/53/EC (ELV). Regarding the REACH Regulation, the information TE provides on SVHC in articles for this part number is based on the latest European Chemicals Agency (ECHA) 'Guidance on requirements for substances in articles' posted at this URL: <https://echa.europa.eu/guidance-documents/guidance-on-reach>

Compatible Parts



TE Part # 1825537-2
MRJE2604



TE Part # 1825535-1
MRJ11204



TE Part # 1825537-1
MRJE11204



TE Part # 1825535-3
MRJ3404

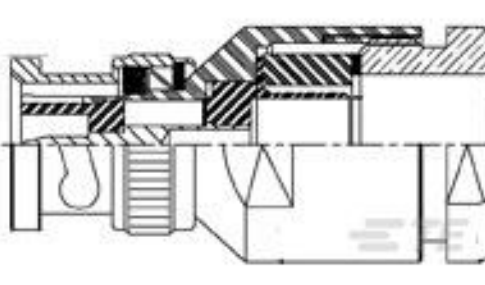
Customers Also Bought



TE Part #1825537-2
MRJE2604



TE Part #6-6437630-1
FTN59G04=LOCKING TOGGLE



TE Part #1-1478401-0
BNC Str Plg PS 50Ohm Silver RG58C /U, 141



TE Part #1-1337421-0
BNC Str Plg MC 50Ohm Silver PI /U, 141



TE Part #1-1337463-0
BNC Plg Term 50Ohm Silver Pltd



TE Part #2-6437630-0
FTD0904=MINIATURE TOGGLE



TE Part #1622385-1
LR1 1% 220K



TE Part #1622381-1
LR1 1% 200R



TE Part #1825537-1
MRJE11204



TE Part #1-1478966-0
SMA B/HD SKT RCPT GSS

Documents

Product Drawings

[MRJE3404](#)

English

CAD Files

[3D PDF](#)

[3D](#)



Customer View Model

[ENG_CVM_CVM_1825537-3_A.2d_dxf.zip](#)

English

Customer View Model

[ENG_CVM_CVM_1825537-3_A.3d_igs.zip](#)

English

Customer View Model

[ENG_CVM_CVM_1825537-3_A.3d_stp.zip](#)

English

By downloading the CAD file I accept and agree to the [Terms and Conditions](#) of use.