



Alcoswitch

TE Internal #: 1825537-2

Rotary Switches, 6 Position, Long Thin Knob Actuator Style, Rotary Switch Style, Rotary Rotary Switch Type, 6 Switch, Epoxy

[View on TE.com >](#)

Relays, Contactors & Switches > Switches > Rotary Switches



Number of Rotary Switch Positions: **6**

Actuator Style: **Long Thin Knob**

Switch Style: **Rotary**

Rotary Switch Type: **Rotary**

Number of Switches: **6**

Features

Product Type Features

Removable Tape Seal	Without
Product Type	Switch
Illuminated	No
Actuator Style	Long Thin Knob
Switch Style	Rotary
Rotary Switch Type	Rotary
Sealed Rotary Switch	No
Code Type	2 Poles
Angle of Throw	30

Configuration Features

Number of Rotary Switch Positions	6
Number of Switches	6

Electrical Characteristics

Rotary Switch Voltage Rating	20 VAC
------------------------------	--------

Contact Features

Solder Tail Contact Plating	Gold over Nickel
Rotary Switch Contact Current Rating	.4 A
Rotary Switch Contact Mating Area Plating Material	Gold
Contact Base Material	Brass



Mechanical Attachment

Rotary Switch Mounting Type	Printed Circuit Board
Rotary Switch Mounting Angle	Straight

Housing Features

Rotary Switch Housing Material	Epoxy
--------------------------------	-------

Usage Conditions

Oil-Tight	No
-----------	----

Packaging Features

Packaging Method	Box & Carton
------------------	--------------

Other

Comment	Fixed
---------	-------

Product Compliance

[For compliance documentation, visit the product page on TE.com>](#)

EU RoHS Directive 2011/65/EU	Not Compliant
EU ELV Directive 2000/53/EC	Compliant with Exemptions
China RoHS 2 Directive MIIT Order No 32, 2016	No Restricted Materials Above Threshold
EU REACH Regulation (EC) No. 1907/2006	Current ECHA Candidate List: JUN 2020 (209) Candidate List Declared Against: JUL 2019 (201) SVHC > Threshold: Pb (3.7% in Shaft) Pb (3.7% in Nut) Article Safe Usage Statements: Do not eat, drink or smoke when using this product. Wash thoroughly after handling. Recycle if possible and dispose of the article by following all applicable governmental regulations relevant to your geographic location.
Halogen Content	Not Low Halogen - contains Br or Cl > 900 ppm.
Solder Process Capability	Wave solder capable to 265°C

Product Compliance Disclaimer

This information is provided based on reasonable inquiry of our suppliers and represents our current actual knowledge based on the information they provided. This information is subject to change. The part numbers that TE has identified as EU RoHS compliant have a maximum concentration of 0.1% by weight in homogenous materials for lead, hexavalent chromium, mercury, PBB, PBDE, DBP, BBP, DEHP, DIBP, and 0.01% for cadmium, or qualify for an exemption to these limits as defined in the Annexes of Directive 2011/65/EU (RoHS2). Finished electrical and electronic equipment products will be CE marked as required by Directive 2011/65/EU. Components may not be CE marked. Additionally, the part numbers that TE has identified as EU ELV compliant have a maximum concentration of 0.1% by weight in homogenous materials for lead, hexavalent chromium, and mercury, and 0.01% for cadmium, or qualify for an exemption to these limits as defined in the Annexes of Directive 2000/53/EC (ELV). Regarding the REACH Regulation, the information TE provides

on SVHC in articles for this part number is based on the latest European Chemicals Agency (ECHA) 'Guidance on requirements for substances in articles' posted at this URL: <https://echa.europa.eu/guidance-documents/guidance-on-reach>

Compatible Parts



TE Part # 1825537-3
MRJE3404



TE Part # 1825535-1
MRJ11204



TE Part # 1825537-1
MRJE11204



TE Part # 1825535-3
MRJ3404

Customers Also Bought



TE Part # 1825537-3
MRJE3404



TE Part # 6-6437630-1
FTN59G04=LOCKING TOGGLE



TE Part # 4-1623925-0
CFR100 5% 47K



TE Part # 1825537-1
MRJE11204



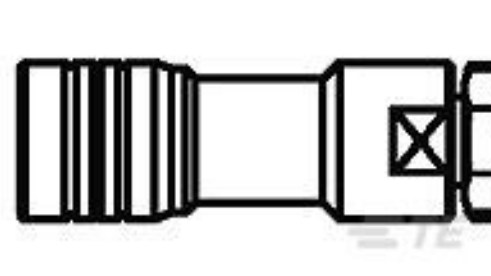
TE Part # 1-1337457-0
BNC Str Adp JJ 50Ohm Silver Pltd



TE Part # 1-1478963-0
SMA PNL SKT RCPT, 2/FLNG GSS



TE Part # 1-1337607-0
SMC Str Plg PS 50Ohm Gold Pltd
RG174A/U,



TE Part # 1-1337475-0
SMB Str Plg PS 50Ohm Gold Pltd
RG174A/U,



TE Part # 1337814-1
50 OHM COAX SMB STR PLUG STR P



TE Part # 1337771-8
50 OHM COAX BNC STR PLUG P99-E

Documents

Product Drawings

MRJE2604

English

MRJE2604

Rotary Switches, 6 Position, Long Thin Knob Actuator Style, Rotary Switch Style,
Rotary Rotary Switch Type, 6 Switch, Epoxy

