



[Alcoswitch](#) | [Alcoswitch TRD](#)

TE Internal #: 1825426-2

Alcoswitch TRD, Rocker Switches, Power, 15/32" (Round Hole)

Rocker Switch Mounting Type, None Indicator/Imprint Legend

[View on TE.com >](#)

Relays, Contactors & Switches > Switches > Rocker Switches



Rocker Switch Type: **Power**

Rocker Switch Mounting Type: **15/32" (Round Hole)**

Indicator/Imprint Legend: **None**

Panel Cutout Size: **11.3 x 12.06 mm [.445 x .475 in]**

Switch Contact Plating Material: **Silver**

Features

Product Type Features

Product Type	Switch
Rocker Switch Type	Power
Lamp	Without
Rocker Switch LED	With
Actuator Type	Top
Actuator Style	Rocker

Configuration Features

Indicator/Imprint Legend	None
Panel Cutout Size	11.3 x 12.06 mm [.445 x .475 in]
Configuration (Pole-Throw)	Single Pole - Double Throw
Operating Function	On None On

Electrical Characteristics

Rocker Switch Voltage Rating	28 VDC
------------------------------	--------

Body Features

LED Color	Red/Green (Bi-Color)
Actuator Color	Black

Contact Features

Switch Contact Plating Material	Silver
---------------------------------	--------

Rocker Switch Contact Current Rating	3 A
--------------------------------------	-----

Termination Features

Termination Type	Wire Lugs
------------------	-----------

Mechanical Attachment

Mounting Angle	Vertical
Rocker Switch Mounting Type	15/32" (Round Hole)

Housing Features

Process Sealed	No
----------------	----

Industry Standards

VDE Tested	No
------------	----

Product Compliance

[For compliance documentation, visit the product page on TE.com>](#)

EU RoHS Directive 2011/65/EU	Not Yet Reviewed
EU ELV Directive 2000/53/EC	Compliant with Exemptions
China RoHS 2 Directive MIIT Order No 32, 2016	Restricted Materials Above Threshold
EU REACH Regulation (EC) No. 1907/2006	Current ECHA Candidate List: JUN 2020 (209) Candidate List Declared Against: JAN 2020 (205) Does not contain REACH SVHC
Halogen Content	Not Yet Reviewed for halogen content
Solder Process Capability	Hand solderable with lead free solder

Product Compliance Disclaimer

This information is provided based on reasonable inquiry of our suppliers and represents our current actual knowledge based on the information they provided. This information is subject to change. The part numbers that TE has identified as EU RoHS compliant have a maximum concentration of 0.1% by weight in homogenous materials for lead, hexavalent chromium, mercury, PBB, PBDE, DBP, BBP, DEHP, DIBP, and 0.01% for cadmium, or qualify for an exemption to these limits as defined in the Annexes of Directive 2011/65/EU (RoHS2). Finished electrical and electronic equipment products will be CE marked as required by Directive 2011/65/EU. Components may not be CE marked. Additionally, the part numbers that TE has identified as EU ELV compliant have a maximum concentration of 0.1% by weight in homogenous materials for lead, hexavalent chromium, and mercury, and 0.01% for cadmium, or qualify for an exemption to these limits as defined in the Annexes of Directive 2000/53/EC (ELV). Regarding the REACH Regulation, the information TE provides on SVHC in articles for this part number is based on the latest European Chemicals Agency (ECHA) 'Guidance on requirements for substances in articles' posted at this URL: <https://echa.europa.eu/guidance-documents/guidance-on-reach>

Compatible Parts




TE Model / Part # 4-1437595-1
TRD11D10WL=SPDT ROCKER BLACK



TE Model / Part # 5-1437595-6
TRD11G10WL=ROCKER SW SPDT (ON)



TE Model / Part # 1825426-1
TRD13D10WLLR204 rocker switch (ON)

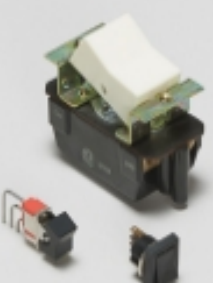


TE Model / Part # 4-1437595-2
TRD11D10WLLR5=SP ROCKER LIGHTE



TE Model / Part # 5-1437595-9
TRD11H10WL=ROCKER GOLD ON OFF

Also in the Series | Alcoswitch TRD



Rocker Switches(42)

Customers Also Bought



TE Model / Part #1825422-1
TRD13D10QC04 rocker switch



TE Model / Part #206404-2
CPC RECPT ASSEMBLY SIZE 17-16



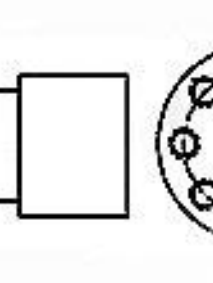
TE Model / Part #1052646-1
2052 3359 02



TE Model / Part #2058365-1
Recpt Kit, Series B to A




TE Model / Part #1986723-3
STR PLUG SPRING TYPE RH 3P, 3.50 mm



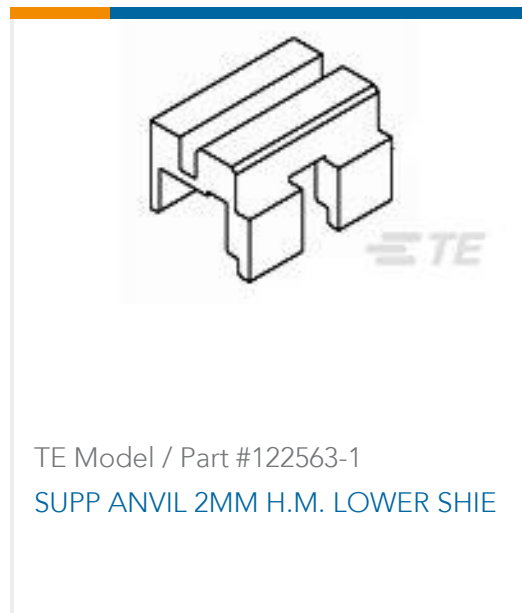
TE Model / Part #1223323-1
4566 1322 00



TE Model / Part #1825426-3
TRD13D10WLLR504 rocker switch



TE Model / Part #213598-2
CNV OUTLET PC BOARD MNT, BLACK



Documents

Product Drawings

[TRD13D10WLLR2504 rocker switch](#)

English

CAD Files

3D PDF

3D

Customer View Model

[ENG_CVM_CVM_1825426-2_A.2d_dxf.zip](#)

English

Customer View Model

[ENG_CVM_CVM_1825426-2_A.3d_igs.zip](#)

English

Customer View Model

[ENG_CVM_CVM_1825426-2_A.3d_stp.zip](#)

English

By downloading the CAD file I accept and agree to the [Terms and Conditions](#) of use.

Datasheets & Catalog Pages

[SWITCHES_CORE_PROGRAM_CATALOG](#)

English