

3-1418390-1 ✓ ACTIVE

AMP | HDSCS

TE Internal #: 3-1418390-1

HDSCS, Housing for female terminals, Wire-to-Wire, 4 Position, 6mm [.236in] Centerline, Sealable, Green, Signal

[View on TE.com >](#)



Connectors > Automotive, Truck, Bus, & Off-Road Connectors > Connector Housings > HDSCS HOUSINGS



Connector Style: **Housing for female terminals**

Mating Tab Width: **2.8 mm [.11 in]**

Connector System: **Wire-to-Wire**

Number of Positions: **4**

Centerline (Pitch): **6 mm [.236 in]**

[All HDSCS HOUSINGS \(186\)](#)

Features

Product Type Features

Row-to-Row Spacing	3 mm [.118 in]
Connector Style	Housing for female terminals
Connector System	Wire-to-Wire
Sealable	Yes
Hybrid Connector	No
Primary Locking Feature	On the Terminal
Strain Relief	No

Configuration Features

Number of Positions	4
Number of Rows	2

Electrical Characteristics

Nominal Voltage Architecture	12 V, 24 V, 42 V, 60 V
Operating Voltage	60 VDC

Body Features

Cable Exit Angle	Other
Body Material	PBT GF



Color	Green
-------	-------

Contact Features

Mating Tab Width	2.8 mm[.11 in]
------------------	----------------

Mechanical Attachment

Terminal Position Assurance	Yes
-----------------------------	-----

Mounting Feature	Without
------------------	---------

Polarized	Yes
-----------	-----

Housing Features

Centerline (Pitch)	6 mm[.236 in]
--------------------	---------------

Dimensions

Height	31.25 mm[1.23 in]
--------	-------------------

Length	43 mm[1.693 in]
--------	-----------------

Width	25.7 mm[1.012 in]
-------	-------------------

Usage Conditions

Operating Temperature Range	-40 – 140 °C[-40 – 284 °F]
-----------------------------	----------------------------

Operation/Application

Circuit Application	Signal
---------------------	--------

Industry Standards

Degree of Protection	IP67
----------------------	------

UL Flammability Rating	UL 94V-0
------------------------	----------

Packaging Features

Packaging Method	Carton
------------------	--------

Packaging Quantity	400
--------------------	-----

Other

Serviceable	Yes
-------------	-----

Connector Position Assurance Capable	No
--------------------------------------	----

Product Compliance

For compliance documentation, visit the product page on [TE.com](https://www.te.com)>

EU RoHS Directive 2011/65/EU	Compliant
------------------------------	-----------

EU ELV Directive 2000/53/EC	Compliant
-----------------------------	-----------

China RoHS 2 Directive MIIT Order No 32, 2016

No Restricted Materials Above Threshold

EU REACH Regulation (EC) No. 1907/2006

Current ECHA Candidate List: JAN 2020
(205)Candidate List Declared Against: JAN 2019
(197)

Does not contain REACH SVHC

Halogen Content

Not Low Halogen - contains Br or Cl > 900
ppm.

Solder Process Capability

Not applicable for solder process capability

Product Compliance Disclaimer

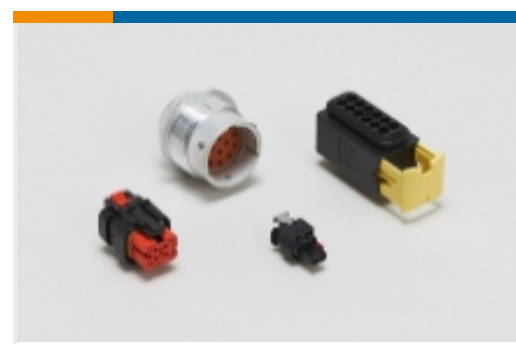
This information is provided based on reasonable inquiry of our suppliers and represents our current actual knowledge based on the information they provided. This information is subject to change. The part numbers that TE has identified as EU RoHS compliant have a maximum concentration of 0.1% by weight in homogenous materials for lead, hexavalent chromium, mercury, PBB, PBDE, DBP, BBP, DEHP, DIBP, and 0.01% for cadmium, or qualify for an exemption to these limits as defined in the Annexes of Directive 2011/65/EU (RoHS2). Finished electrical and electronic equipment products will be CE marked as required by Directive 2011/65/EU. Components may not be CE marked. Additionally, the part numbers that TE has identified as EU ELV compliant have a maximum concentration of 0.1% by weight in homogenous materials for lead, hexavalent chromium, and mercury, and 0.01% for cadmium, or qualify for an exemption to these limits as defined in the Annexes of Directive 2000/53/EC (ELV). Regarding the REACH Regulation, the information TE provides on SVHC in articles for this part number is based on the latest European Chemicals Agency (ECHA) 'Guidance on requirements for substances in articles' posted at this URL: <https://echa.europa.eu/guidance-documents/guidance-on-reach>

Compatible Parts

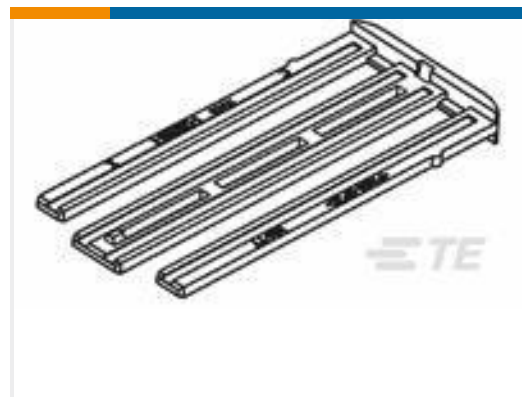
Also in the Series | **HDSCS**

Automotive Connector Caps & Covers
(20)

Automotive Seals & Cavity Plugs(1)

Automotive, Truck, Bus, & Off-Road
Housings(189)Other Automotive Connector
Accessories(22)

Customers Also Bought

TE Model / Part #1-1355118-1
RETAINER FOR 60POS SOCKET HSGTE Model / Part #1-1355133-1
HEBEL F.AUFNAHM-GEH

Documents

Product Drawings

4 POS AMP MCP 2.8 REC HSG

English

CAD Files

3D PDF

3D

Customer View Model

[ENG_CVM_CVM_3-1418390-1_J.2d_dxf.zip](#)

English

Customer View Model

[ENG_CVM_CVM_3-1418390-1_J.3d_igs.zip](#)

English

Customer View Model

[ENG_CVM_CVM_3-1418390-1_J.3d_stp.zip](#)

English

By downloading the CAD file I accept and agree to the [Terms and Conditions](#) of use.

Datasheets & Catalog Pages

HDSCS Catalog

English

ICT Terminals and Connectors Catalogue

English

CONNECTOR SELECTOR

English



[Product Specifications](#)

[Application Specification](#)

English