



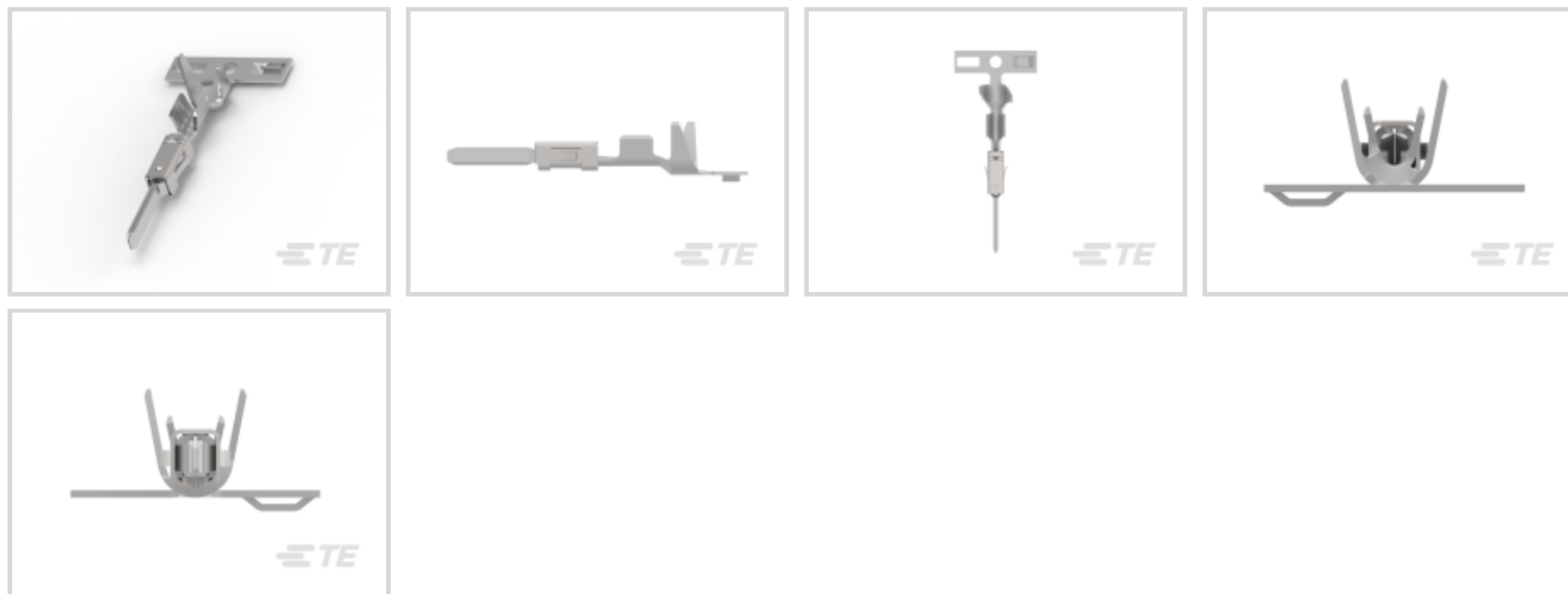
Micro Timer I

TE Internal #: 963904-1

Micro Timer I, Automotive, Truck, Bus, & Off-Road Terminals, Tab,  
 Tab Width 1.6 mm [.063 in], Tab Thickness .6 mm [.024 in]

[View on TE.com >](#)

Terminals & Splices > Automotive, Truck, Bus, & Off-Road Terminals > TIMER, RECEPTACLE AND TAB



Terminal & Splice Type: **Tab**

Mating Tab Width: **1.6 mm [.063 in]**

Mating Tab Thickness: **.6 mm [.024 in]**

Terminal Transmits: **0 – 24 A (Low Power)**

Wire Size: **20 – 18 AWG**

[All TIMER, RECEPTACLE AND TAB \(375\)](#)

**Features**

**Product Type Features**

Receptacle Style	180°
Sealable	Yes
Primary Locking Feature	Locking Lance
Wire Type	Copper

**Body Features**

Seal Type	Single Wire Seal (SWS)
-----------	------------------------

**Contact Features**

Typical Current Rating	10 A
Crimp Type	F-Crimp
Terminal & Splice Type	Tab
Mating Tab Width	1.6 mm [.063 in]
Mating Tab Thickness	.6 mm [.024 in]
Interface Plating	Tin (Sn)

Contact Termination Area Plating Material	Tin (Sn)
---	----------

### Termination Features

Termination Method	Crimp
--------------------	-------

### Dimensions

Wire Size	.5 – 1 mm <sup>2</sup>
-----------	------------------------

Wire Size Search	.5 mm <sup>2</sup> , .6 mm <sup>2</sup> , .75 mm <sup>2</sup> , .85 mm <sup>2</sup> , 1 mm <sup>2</sup>
------------------	---

Wire Insulation Diameter	1.4 – 2.1 mm [.055 – .083 in]
--------------------------	-------------------------------

### Usage Conditions

Operating Temperature Range	-40 – 130 °C [-40 – 266 °F]
-----------------------------	-----------------------------

### Industry Standards

Agency/Standard	DIN 72 551 Part 5 and 6
-----------------	-------------------------

### Packaging Features

Packaging Method	Reel
------------------	------

Packaging Quantity	4000
--------------------	------

### Other

Terminal Transmits	0 – 24 A (Low Power)
--------------------	----------------------

## Product Compliance

[For compliance documentation, visit the product page on TE.com>](#)

EU RoHS Directive 2011/65/EU	Compliant
------------------------------	-----------

EU ELV Directive 2000/53/EC	Compliant
-----------------------------	-----------

China RoHS 2 Directive MIIT Order No 32, 2016	No Restricted Materials Above Threshold
---	---

EU REACH Regulation (EC) No. 1907/2006	Aktuelle ECHA Kandidatenliste: JUL 2019 (201) Kandidatenliste deklariert bezüglich: JUL 2019 (201) Enthält keine SVHC
--	---

EU REACH Regulation (EC) No. 1907/2006	Aktuelle ECHA Kandidatenliste: JUL 2019 (201) Kandidatenliste deklariert bezüglich: JUL 2019 (201)
--	---

Halogen Content	Low Halogen - Br, Cl, F, I < 900 ppm per homogenous material. Also BFR/CFR/PVC Free
-----------------	---

Solder Process Capability	Not applicable for solder process capability
---------------------------	--


Product Compliance Disclaimer

This information is provided based on reasonable inquiry of our suppliers and represents our current actual knowledge based on the information they provided. This information is subject to change. The part numbers that TE has identified as EU RoHS compliant have a maximum concentration of 0.1% by weight in homogenous materials for lead, hexavalent chromium, mercury, PBB, PBDE, DBP, BBP, DEHP, DIBP, and 0.01% for cadmium, or qualify for an exemption to these limits as defined in the Annexes of Directive 2011/65/EU (RoHS2). Finished electrical and electronic equipment products will be CE marked as required by Directive 2011/65/EU. Components may not be CE marked. Additionally, the part numbers that TE has identified as EU ELV compliant have a maximum concentration of 0.1% by weight in homogenous materials for lead, hexavalent chromium, and mercury, and 0.01% for cadmium, or qualify for an exemption to these limits as defined in the Annexes of Directive 2000/53/EC (ELV). Regarding the REACH Regulations, TE's information on SVHC in articles for this part number is still based on the European Chemical Agency (ECHA) 'Guidance on requirements for substances in articles' (Version: 2, April 2011), applying the 0.1% weight on weight concentration threshold at the finished product level. TE is aware of the European Court of Justice ruling of September 10th, 2015 also known as O5A (Once An Article Always An Article) stating that, in case of 'complex object', the threshold for a SVHC must be applied to both the product as a whole and simultaneously to each of the articles forming part of its composition. TE has evaluated this ruling based on the new ECHA "Guidance on requirements for substances in articles" (June 2017, version 4.0) and will be updating its statements accordingly.

## Compatible Parts



TE Model / Part # CAT-H3399-CH8172  
HDSCS HOUSINGS



TE Model / Part # CAT-L489-CH8172  
LEAVYSEAL HOUSINGS



TE Model / Part # CAT-AM705-CH8173  
AMP MCP, UN-SEALED CONNECTOR HOUSING



TE Model / Part # 539960-1  
AUSZ-WKZ, MICRO TIM.



TE Model / Part # 964972-1  
EINZELLEITERDICHTNG



TE Model / Part # 963530-1  
EINZELLEITERDICHTNG



TE Model / Part # 2305570-1  
TERMINAL CUTTER, SIDE FEED



TE Model / Part # CAT-T4827-CH8172  
TIMER, CONNECTOR HOUSING



TE Model / Part # CAT-M9194-CH8172  
MULTILOCK, CONNECTOR HOUSING



TE Model / Part # 2-2151170-1  
OCEAN-2.0-APPLICATOR-S-080F1300



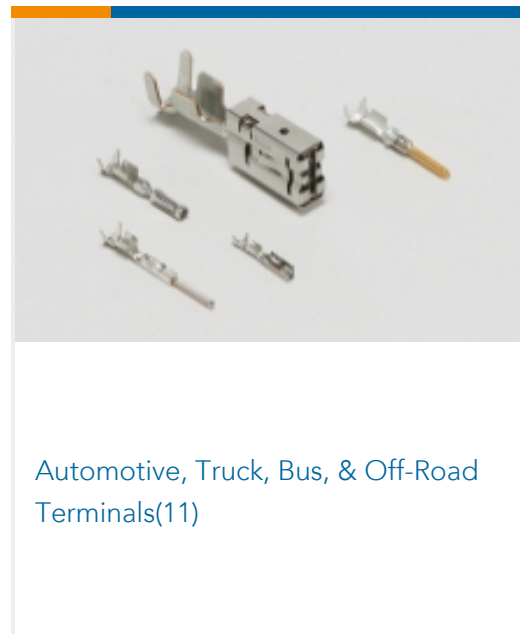
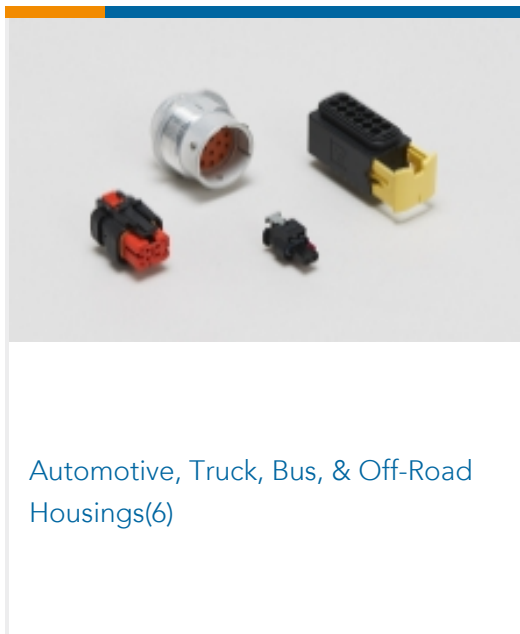
TE Model / Part # 2-2151170-2  
OCEAN-2.0-APPLICATOR-S-080F1300



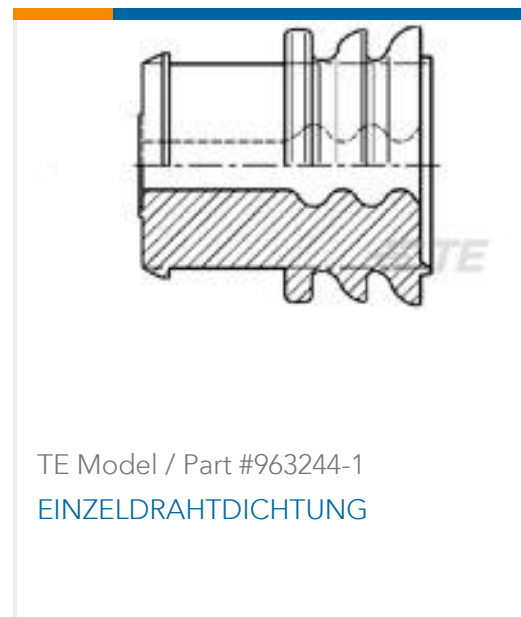
TE Model / Part # 2151170-1  
OCEAN-2.0-APPLICATOR-S-080F1300



Also in the Series | **Micro Timer I**



Customers Also Bought







## Documents

### Product Drawings

[TAB A 1.6x0.6 CONTACT CS SWS Sn](#)

English

[TAB A 1.6x0.6 CONTACT CS SWS Sn](#)

English

---

### CAD Files

[3D PDF](#)

3D

Customer View Model

[ENG\\_CVM\\_CVM\\_963904-1\\_F.2d\\_dxf.zip](#)

English

Customer View Model

[ENG\\_CVM\\_CVM\\_963904-1\\_F.3d\\_igs.zip](#)

English

Customer View Model

[ENG\\_CVM\\_CVM\\_963904-1\\_F.3d\\_stp.zip](#)

English

By downloading the CAD file I accept and agree to the [Terms and Conditions](#) of use.

---

### Datasheets & Catalog Pages

[Timer Interconnection System](#)

English

[HDSCS Catalog](#)

English

---

### Product Specifications

[Application Specification](#)

English

---

### Product Environmental Compliance

[MD\\_963904-1\\_07272016613\\_dmtec](#)

English

[MD\\_963904-1\\_07272016613\\_dmtec](#)

English