

3-1703818-1 ✓ ACTIVE

AMP | HDSCS

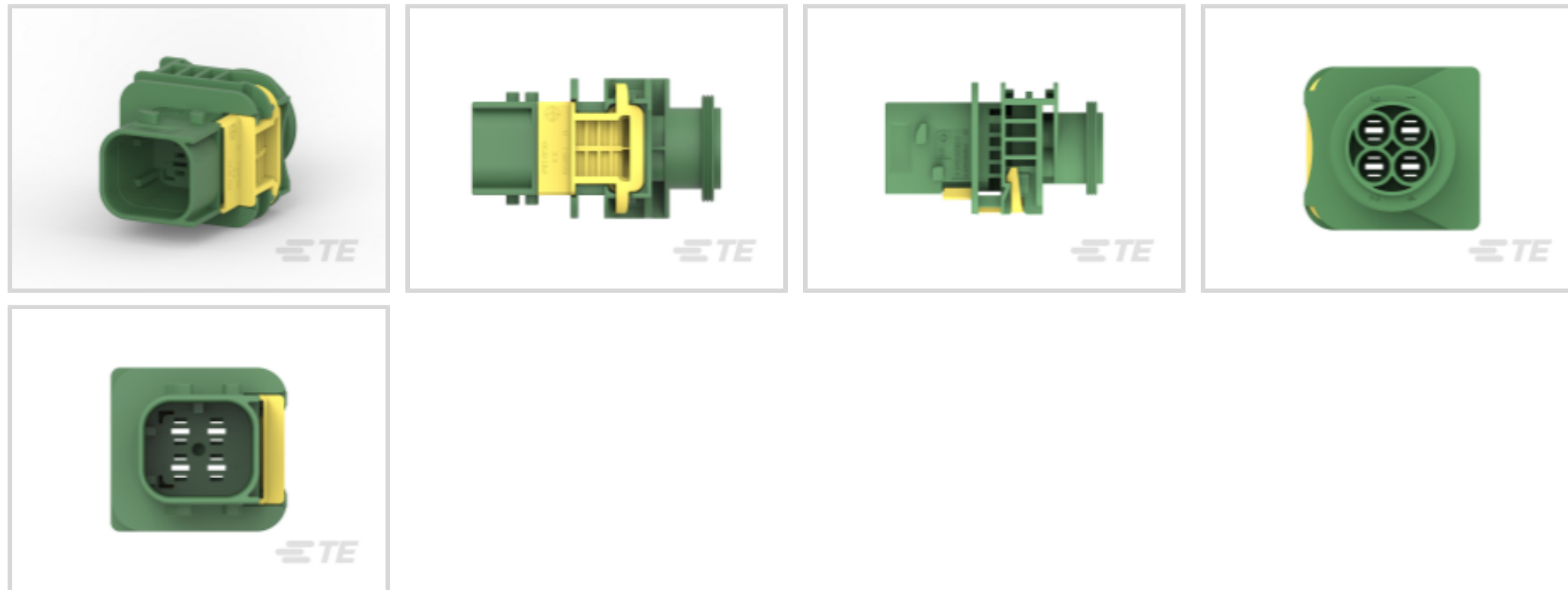
TE Internal #: 3-1703818-1

HDSCS, Housing for male terminals, Wire-to-Wire, 4 Position, 6mm
[.236in] Centerline, Sealable, Green, Signal

[View on TE.com >](#)



Connectors > Automotive, Truck, Bus, & Off-Road Connectors > Connector Housings > HDSCS HOUSINGS



Connector Style: **Housing for male terminals**

Mating Tab Width: **2.8 mm [.11 in]**

Connector System: **Wire-to-Wire**

Number of Positions: **4**

Centerline (Pitch): **6 mm [.236 in]**

[All HDSCS HOUSINGS \(186\)](#)

Features

Product Type Features

Row-to-Row Spacing	2.54 mm[.1 in]
Connector Style	Housing for male terminals
Connector System	Wire-to-Wire
Sealable	Yes
Hybrid Connector	No
Primary Locking Feature	On the Terminal
Strain Relief	Add By Accessory

Configuration Features

Number of Positions	4
Number of Rows	2

Electrical Characteristics

Nominal Voltage Architecture	12 V, 24 V, 42 V, 60 V
Operating Voltage	60 VDC



Body Features

Cable Exit Angle	180°, 90°
Body Material	PBT GF
Color	Green

Contact Features

Mating Tab Width	2.8 mm[.11 in]
------------------	----------------

Mechanical Attachment

Terminal Position Assurance	Yes
Mounting Feature	Without
Polarized	Yes

Housing Features

Centerline (Pitch)	6 mm[.236 in]
--------------------	---------------

Dimensions

Height	27 mm[1.062 in]
Length	29.1 mm[1.1456 in]
Width	48.1 mm[1.8937 in]

Usage Conditions

Operating Temperature Range	-40 – 140 °C[-40 – 284 °F]
-----------------------------	----------------------------

Operation/Application

Circuit Application	Signal
---------------------	--------

Industry Standards

Degree of Protection	IP67
UL Flammability Rating	UL 94V-0

Packaging Features

Packaging Method	Carton
Packaging Quantity	380

Other

Serviceable	Yes
Connector Position Assurance Capable	No

Product Compliance

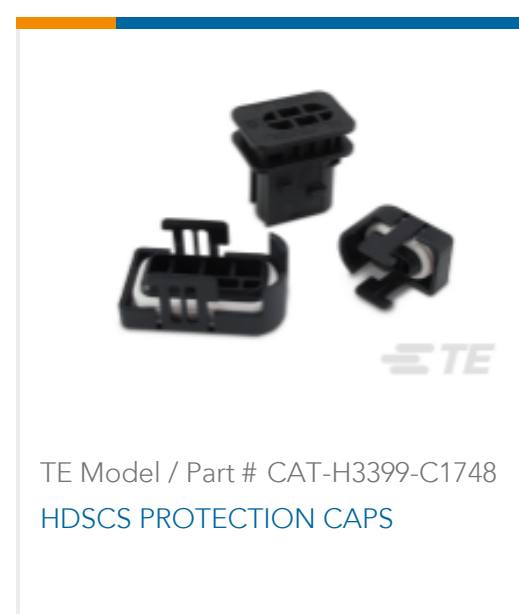
[For compliance documentation, visit the product page on TE.com>](#)

EU RoHS Directive 2011/65/EU	Compliant
EU ELV Directive 2000/53/EC	Compliant
China RoHS 2 Directive MIIT Order No 32, 2016	No Restricted Materials Above Threshold
EU REACH Regulation (EC) No. 1907/2006	Aktuelle ECHA Kandidatenliste: JUL 2019 (201) Kandidatenliste deklariert bezüglich: JUN 2018 (191) Enthält keine SVHC
EU REACH Regulation (EC) No. 1907/2006	Aktuelle ECHA Kandidatenliste: JUL 2019 (201) Kandidatenliste deklariert bezüglich: JUN 2018 (191)
Halogen Content	Low Halogen - Br, Cl, F, I < 900 ppm per homogenous material. Also BFR/CFR/PVC Free
Solder Process Capability	Not applicable for solder process capability

Product Compliance Disclaimer

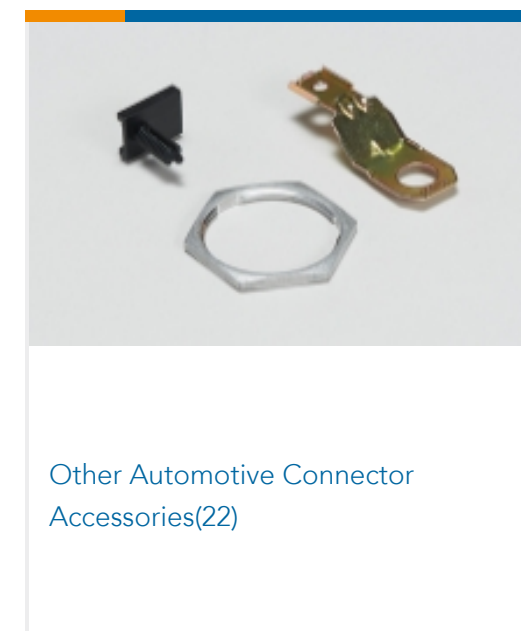
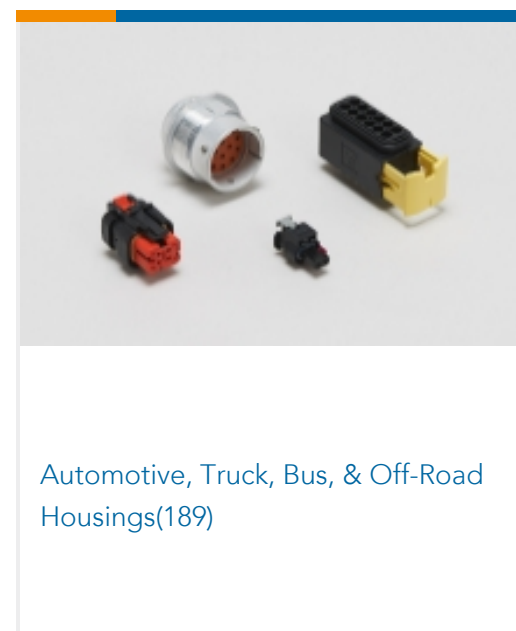
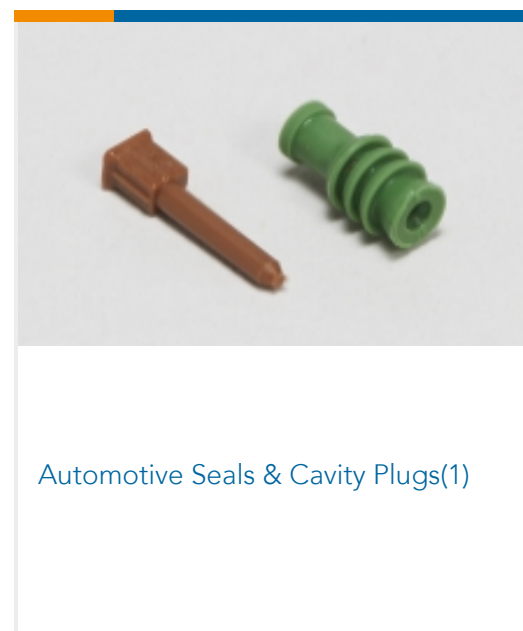
This information is provided based on reasonable inquiry of our suppliers and represents our current actual knowledge based on the information they provided. This information is subject to change. The part numbers that TE has identified as EU RoHS compliant have a maximum concentration of 0.1% by weight in homogenous materials for lead, hexavalent chromium, mercury, PBB, PBDE, DBP, BBP, DEHP, DIBP, and 0.01% for cadmium, or qualify for an exemption to these limits as defined in the Annexes of Directive 2011/65/EU (RoHS2). Finished electrical and electronic equipment products will be CE marked as required by Directive 2011/65/EU. Components may not be CE marked. Additionally, the part numbers that TE has identified as EU ELV compliant have a maximum concentration of 0.1% by weight in homogenous materials for lead, hexavalent chromium, and mercury, and 0.01% for cadmium, or qualify for an exemption to these limits as defined in the Annexes of Directive 2000/53/EC (ELV). Regarding the REACH Regulations, TE's information on SVHC in articles for this part number is still based on the European Chemical Agency (ECHA) 'Guidance on requirements for substances in articles' (Version: 2, April 2011), applying the 0.1% weight on weight concentration threshold at the finished product level. TE is aware of the European Court of Justice ruling of September 10th, 2015 also known as O5A (Once An Article Always An Article) stating that, in case of 'complex object', the threshold for a SVHC must be applied to both the product as a whole and simultaneously to each of the articles forming part of its composition. TE has evaluated this ruling based on the new ECHA "Guidance on requirements for substances in articles" (June 2017, version 4.0) and will be updating its statements accordingly.

Compatible Parts

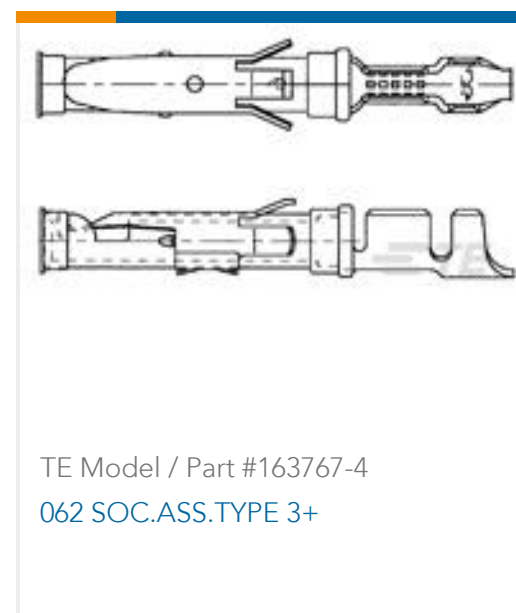
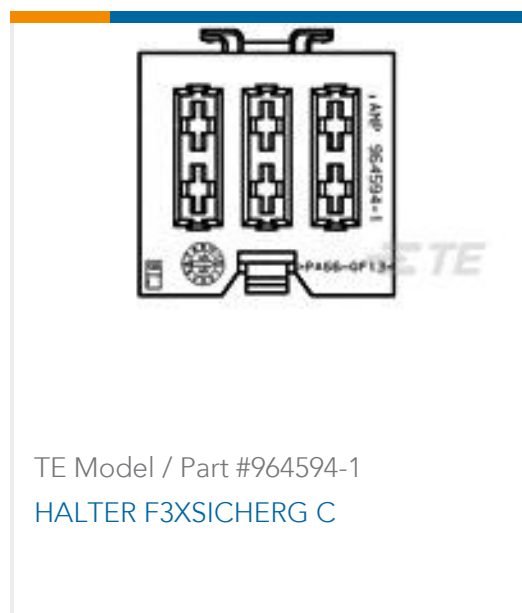




Also in the Series | HDSCS



Customers Also Bought



Documents

Product Drawings

4POS,TAB 2.8X0.8,TAB HSG,ASSY,

English

CAD Files

Customer View Model

[ENG_CVM_CVM_3-1703818-1_H.3d_igs.zip](#)

English

Customer View Model

[ENG_CVM_CVM_3-1703818-1_H.3d_stp.zip](#)

English

Customer View Model

[ENG_CVM_CVM_3-1703818-1_H.2d_dxf.zip](#)

English

[3D PDF](#)



3D

By downloading the CAD file I accept and agree to the [Terms and Conditions](#) of use.

Datasheets & Catalog Pages

[HDSCS Catalog](#)

English

[ICT Terminals and Connectors Catalogue](#)

English

[CONNECTOR SELECTOR](#)

English

Product Specifications

[Application Specification](#)

English