

172133-1 ✓ ACTIVE

FASTIN-FASTON | FASTIN-FASTON 250

TE Internal #: 172133-1

FASTIN-FASTON 250, Crimp Terminal Housings, Receptacle, Receptacle Housing, 4 Positions, Straight, Natural, Nylon, Mating Retention, Mating Alignment

[View on TE.com >](#)



Terminals & Splices > Terminal Housings, Insulation Sleeves & Blocks > Crimp Terminal Housings



Terminal & Splice Type: **Receptacle**

Housing Type: **Receptacle Housing**

Number of Positions: **4**

Terminal Orientation: **Straight**

Housing Color: **Natural**

Features

Product Type Features

Product Type	Terminal Housing
Terminates To	Wire & Cable
Housing Type	Receptacle Housing
Sealable	No
Insulated	No

Configuration Features

Number of Positions	4
---------------------	---

Body Features

Housing Color	Natural
Mating Retention	With
Mating Alignment	With

Contact Features

Terminal & Splice Type	Receptacle
Terminal Orientation	Straight



Mechanical Attachment

Mating Retention Type	Latch
Mounting Style	Free Hanging

Housing Features

Housing Material	Nylon
------------------	-------

Dimensions

Length	28.5 mm[1.12 in]
Centerline	9 mm[.354 in]

Usage Conditions

Operating Temperature Range	-40 – 105 °C[-40 – 221 °F]
-----------------------------	----------------------------

Packaging Features

Packaging Quantity	100
--------------------	-----

Product Compliance

[For compliance documentation, visit the product page on TE.com>](#)

EU RoHS Directive 2011/65/EU	Compliant
EU ELV Directive 2000/53/EC	Compliant
China RoHS 2 Directive MIIT Order No 32, 2016	No Restricted Materials Above Threshold
EU REACH Regulation (EC) No. 1907/2006	Current ECHA Candidate List: JUL 2019 (201) Candidate List Declared Against: JUL 2019 (201) Does not contain REACH SVHC
EU REACH Regulation (EC) No. 1907/2006	Current ECHA Candidate List: JUL 2019 (201) Candidate List Declared Against: JUL 2019 (201)
Halogen Content	Low Halogen - Br, Cl, F, I < 900 ppm per homogenous material. Also BFR/CFR/PVC Free
Solder Process Capability	Not applicable for solder process capability

Product Compliance Disclaimer

This information is provided based on reasonable inquiry of our suppliers and represents our current actual knowledge based on the information they provided. This information is subject to change. The part numbers that TE has identified as EU RoHS compliant have a maximum concentration of 0.1% by weight in homogenous materials for lead, hexavalent chromium, mercury, PBB, PBDE, DBP, BBP, DEHP, DIBP, and 0.01% for cadmium, or qualify for an exemption to these limits as defined in the Annexes of Directive 2011/65/EU (RoHS2). Finished electrical and electronic equipment products

will be CE marked as required by Directive 2011/65/EU. Components may not be CE marked. Additionally, the part numbers that TE has identified as EU ELV compliant have a maximum concentration of 0.1% by weight in homogenous materials for lead, hexavalent chromium, and mercury, and 0.01% for cadmium, or qualify for an exemption to these limits as defined in the Annexes of Directive 2000/53/EC (ELV). Regarding the REACH Regulations, TE's information on SVHC in articles for this part number is still based on the European Chemical Agency (ECHA) 'Guidance on requirements for substances in articles' (Version: 2, April 2011), applying the 0.1% weight on weight concentration threshold at the finished product level. TE is aware of the European Court of Justice ruling of September 10th, 2015 also known as O5A (Once An Article Always An Article) stating that, in case of 'complex object', the threshold for a SVHC must be applied to both the product as a whole and simultaneously to each of the articles forming part of its composition. TE has evaluated this ruling based on the new ECHA "Guidance on requirements for substances in articles" (June 2017, version 4.0) and will be updating its statements accordingly.

Compatible Parts



Also in the Series | **FASTIN-FASTON 250**

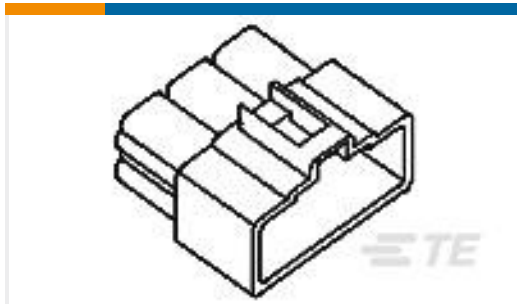
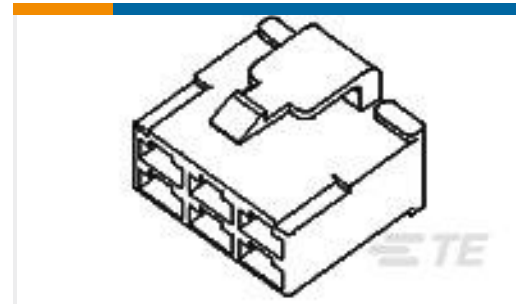
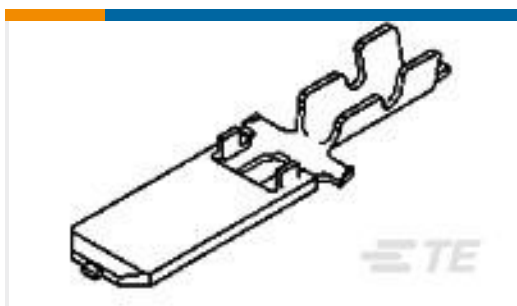
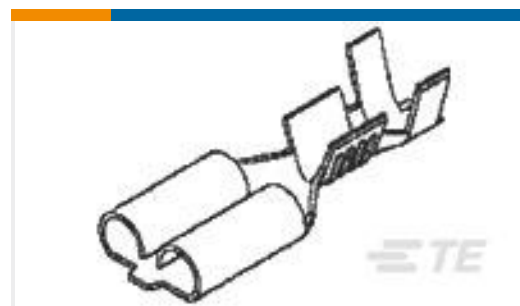


Crimp Terminal Housings(217)



Quick Disconnects(253)

Customers Also Bought

TE Model / Part #171897-1
FF 250 REC HSG 6P NYLON NATTE Model / Part #172135-1
FF 250 REC HSG 8P NYLON NATTE Model / Part #172134-1
FF 250 PLUG HSG 4P NYLON NATTE Model / Part #170340-1
FF 250 TAB 20-14AWG BR WITHOUT LATCHTE Model / Part #170340-3
FF 250 TAB 20-14AWG PTBR WITHOUT LATCHTE Model / Part #170032-2
FASTON 250 REC 0.5-2.27MM2 0.140X.262 BR

Documents

Product Drawings

[FF 250 REC HSG 4P NYLON NAT](#)

English

CAD Files

Customer View Model

[ENG_CVM_CVM_172133-1_L.2d_dxf.zip](#)

English

3D PDF

3D

Customer View Model

[ENG_CVM_CVM_172133-1_L.3d_igs.zip](#)

English

Customer View Model

[ENG_CVM_CVM_172133-1_L.3d_stp.zip](#)

English

By downloading the CAD file I accept and agree to the [Terms and Conditions](#) of use.



Product Specifications

Product Specification

Japanese

"250" Series Housing Lance Connector

Japanese

Product Specification

Japanese

Product Environmental Compliance

Product Compliance

English

Product Compliance

English

Instruction Sheets

"250" Series, Housing Lance Connector

Japanese

Customer Manual (non U.S.)

Japanese

Agency Approvals

UL Report

English