



FASTIN-FASTON | FASTIN-FASTON 250

TE Internal #: 170349-2

FASTIN-FASTON 250, Quick Disconnects, Tab, 22 – 20 AWG, .32 – .51 mm², Mating Tab Width 6.35 mm [.25 in], Mating Tab Thickness .81 mm [.032 in]

[View on TE.com >](#)

Terminals & Splices > Quick Disconnects



Terminal & Splice Type: **Tab**

Wire Size: **.32 – .51 mm²**

Mating Tab Width: **6.35 mm [.25 in]**

Mating Tab Thickness: **.81 mm [.032 in]**

Features

Product Type Features

Wire Stop	No
Wire/Cable Type	Regular Wire
Terminates To	Wire & Cable
Sealable	No
Insulated	No

Configuration Features

Connection Capacity	Single
---------------------	--------

Body Features

Fully Insulated	No
Plating Material	Pre-Tin

Contact Features

Terminal Type	Tab
Terminal & Splice Type	Tab
Terminal Orientation	Straight



Contact Base Material	Brass
-----------------------	-------

Crimp Type	F-Crimp
------------	---------

Barrel Type	Open
-------------	------

Mechanical Attachment

Mating Retention Type	Dimple
-----------------------	--------

Wire Insulation Support	With
-------------------------	------

Dimensions

Accepts Wire Insulation Diameter Range	1.5 – 2.2 mm [.059 – .087 in]
--	-------------------------------

Overall Length	26.4 mm [1.039 in]
----------------	--------------------

Receptacle Terminal Stock Thickness	.4 mm [.015 in]
-------------------------------------	-----------------

Wire Size	.32 – .51 mm ²
-----------	---------------------------

Mating Tab Width	6.35 mm [.25 in]
------------------	------------------

Mating Tab Thickness	.81 mm [.032 in]
----------------------	------------------

Usage Conditions

Operating Temperature Range	-40 – 110 °C [-40 – 230 °F]
-----------------------------	-----------------------------

Packaging Features

Packaging Quantity	6000
--------------------	------

Packaging Method	Strip/Reel
------------------	------------

Product Compliance

[For compliance documentation, visit the product page on TE.com>](#)

EU RoHS Directive 2011/65/EU	Compliant
------------------------------	-----------

EU ELV Directive 2000/53/EC	Compliant
-----------------------------	-----------

China RoHS 2 Directive MIIT Order No 32, 2016	No Restricted Materials Above Threshold
---	---

EU REACH Regulation (EC) No. 1907/2006	Current ECHA Candidate List: JUL 2019 (201) Candidate List Declared Against: JUL 2019 (201) Does not contain REACH SVHC
--	---

EU REACH Regulation (EC) No. 1907/2006	Current ECHA Candidate List: JUL 2019 (201) Candidate List Declared Against: JUL 2019 (201)
--	--

Halogen Content	Low Halogen - Br, Cl, F, I < 900 ppm per homogenous material. Also BFR/CFR/PVC Free
-----------------	---

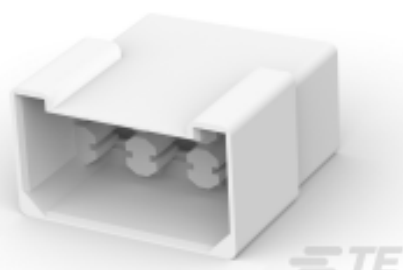
Solder Process Capability

Not applicable for solder process capability

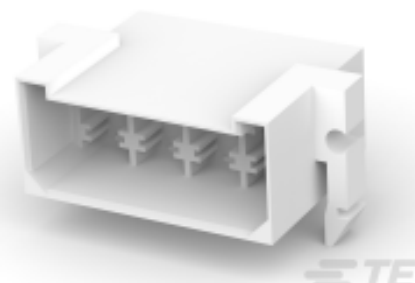
Product Compliance Disclaimer

This information is provided based on reasonable inquiry of our suppliers and represents our current actual knowledge based on the information they provided. This information is subject to change. The part numbers that TE has identified as EU RoHS compliant have a maximum concentration of 0.1% by weight in homogenous materials for lead, hexavalent chromium, mercury, PBB, PBDE, DBP, BBP, DEHP, DIBP, and 0.01% for cadmium, or qualify for an exemption to these limits as defined in the Annexes of Directive 2011/65/EU (RoHS2). Finished electrical and electronic equipment products will be CE marked as required by Directive 2011/65/EU. Components may not be CE marked. Additionally, the part numbers that TE has identified as EU ELV compliant have a maximum concentration of 0.1% by weight in homogenous materials for lead, hexavalent chromium, and mercury, and 0.01% for cadmium, or qualify for an exemption to these limits as defined in the Annexes of Directive 2000/53/EC (ELV). Regarding the REACH Regulations, TE's information on SVHC in articles for this part number is still based on the European Chemical Agency (ECHA) 'Guidance on requirements for substances in articles' (Version: 2, April 2011), applying the 0.1% weight on weight concentration threshold at the finished product level. TE is aware of the European Court of Justice ruling of September 10th, 2015 also known as O5A (Once An Article Always An Article) stating that, in case of 'complex object', the threshold for a SVHC must be applied to both the product as a whole and simultaneously to each of the articles forming part of its composition. TE has evaluated this ruling based on the new ECHA "Guidance on requirements for substances in articles" (June 2017, version 4.0) and will be updating its statements accordingly.

Compatible Parts



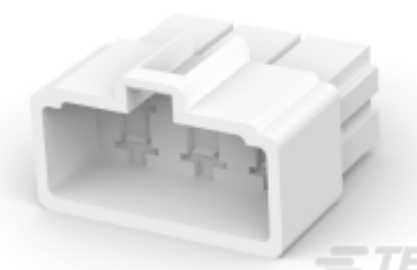
TE Model / Part # 480004-5
FF 250 TAB HSG 6P NYLON NAT



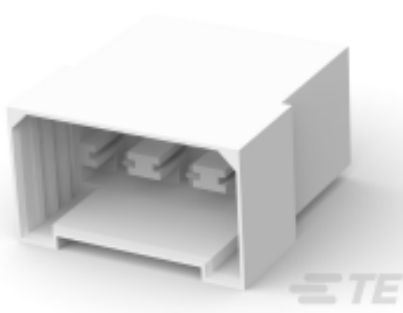
TE Model / Part # 163008
FF 250 TAB HSG 8P NYLON CLEAR



TE Model / Part # 172131-1
FF 250 REC HSG 3P NYLON NAT



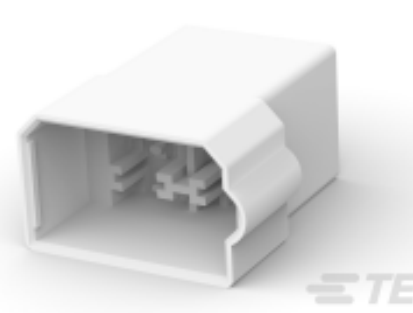
TE Model / Part # 171897-1
FF 250 REC HSG 6P NYLON NAT



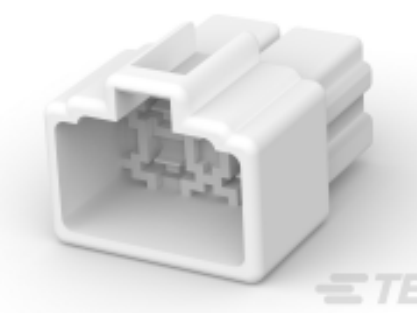
TE Model / Part # 180906
FF 250 TAB HSG 6P NYLON NAT



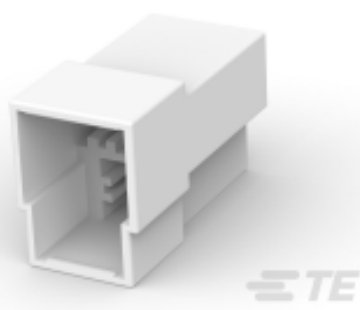
TE Model / Part # 178025-1
FF 250 CAP HSG DBL 6P NAT



TE Model / Part # 180901
FF 250 TAB HSG 4P NYLON NAT



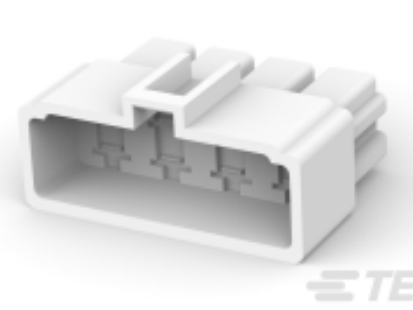
TE Model / Part # 172133-1
FF 250 REC HSG 4P NYLON NAT



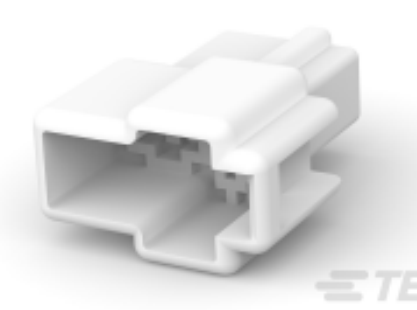
TE Model / Part # 180940
FF 250 TAB HSG 3P NYLON NAT



TE Model / Part # 180908
FF 250 TAB HSG 2P NYLON NAT



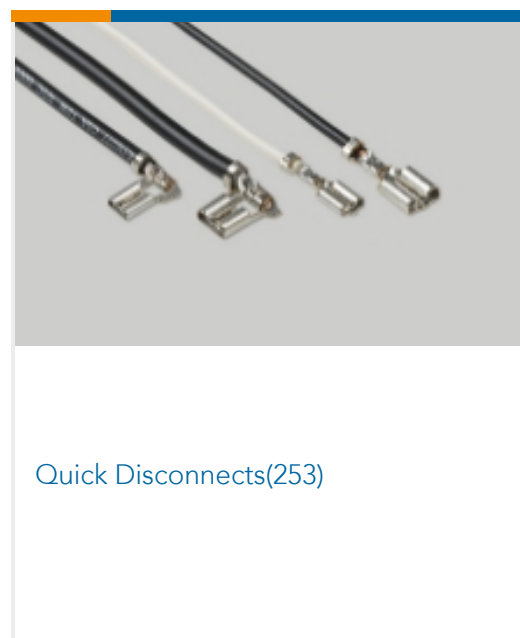
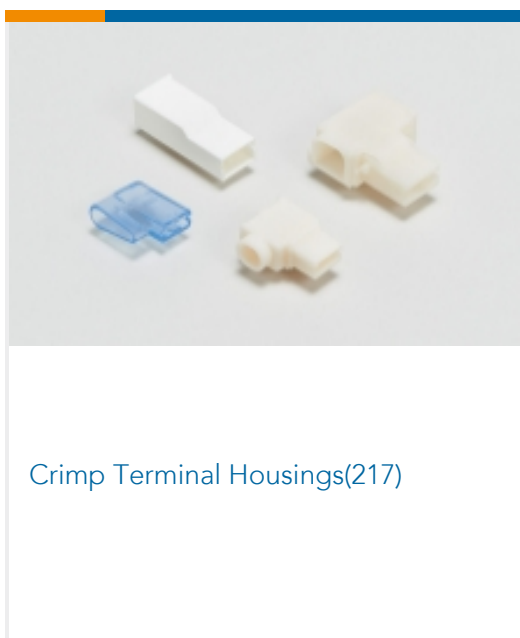
TE Model / Part # 172135-1
FF 250 REC HSG 8P NYLON NAT



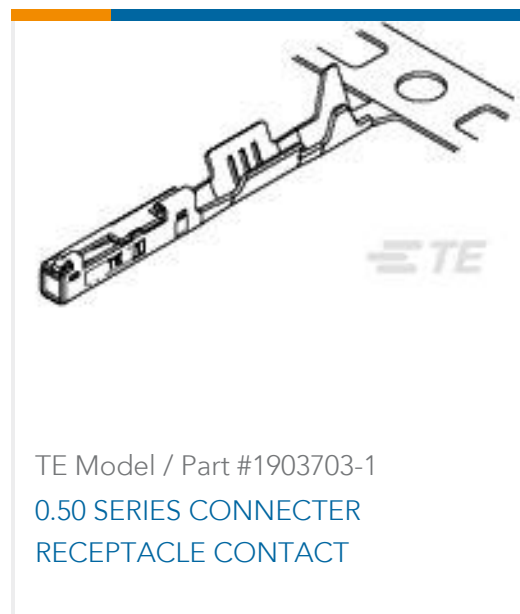
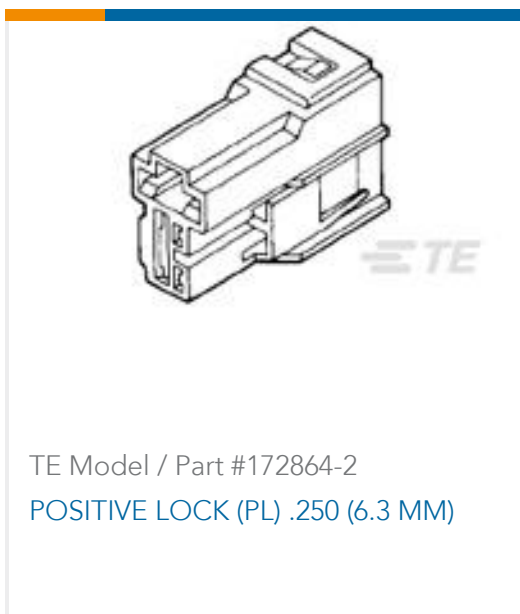
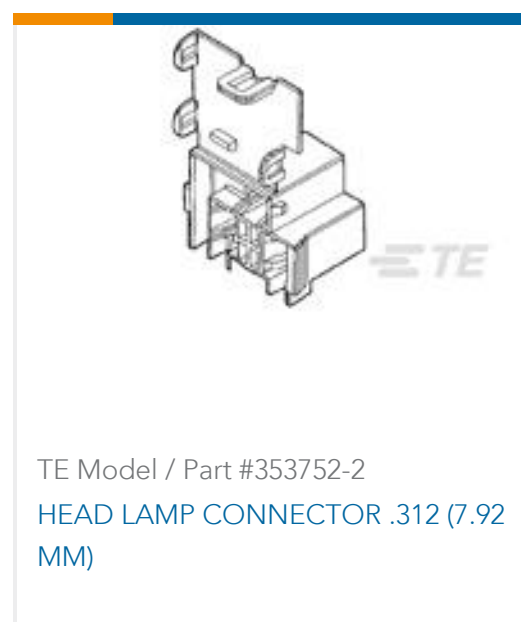
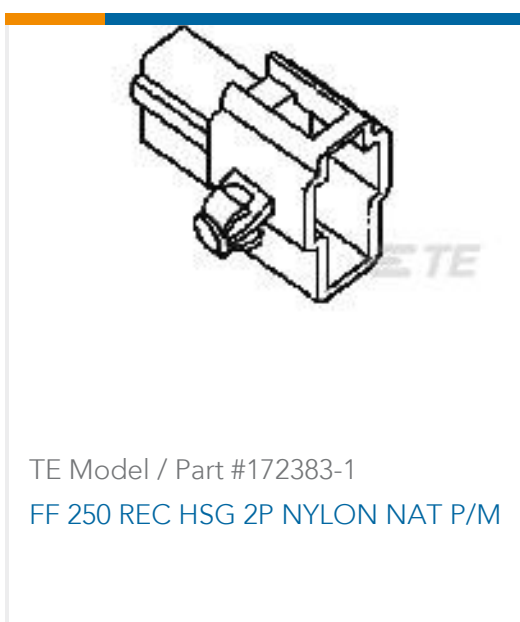
TE Model / Part # 172129-1
FF 250 PLUG HSG 2P NYLON NAT



Also in the Series | **FASTIN-FASTON 250**



Customers Also Bought





Documents

Product Drawings

FF 250 TAB 22-20AWG TPBR WITHOUT LATCH

Japanese

CAD Files

3D PDF

3D

Customer View Model

[ENG_CVM_CVM_170349-2_D.2d_dxf.zip](#)

English

Customer View Model

[ENG_CVM_CVM_170349-2_D.3d_igs.zip](#)

English

Customer View Model

[ENG_CVM_CVM_170349-2_D.3d_stp.zip](#)

English

By downloading the CAD file I accept and agree to the [Terms and Conditions](#) of use.

Product Specifications

Application Specification

Japanese

Crimping of 250 Series Tab and Receptacle Contacts

Japanese

Crimping of 250 Series Tab and Receptacle Contacts

Japanese

Application Specification

Japanese

Instruction Sheets

"250" Series, Housing Lance Connector

Japanese

Customer Manual (non U.S.)

Japanese