

965786-1 ✓ ACTIVE

TE Internal #: 965786-1

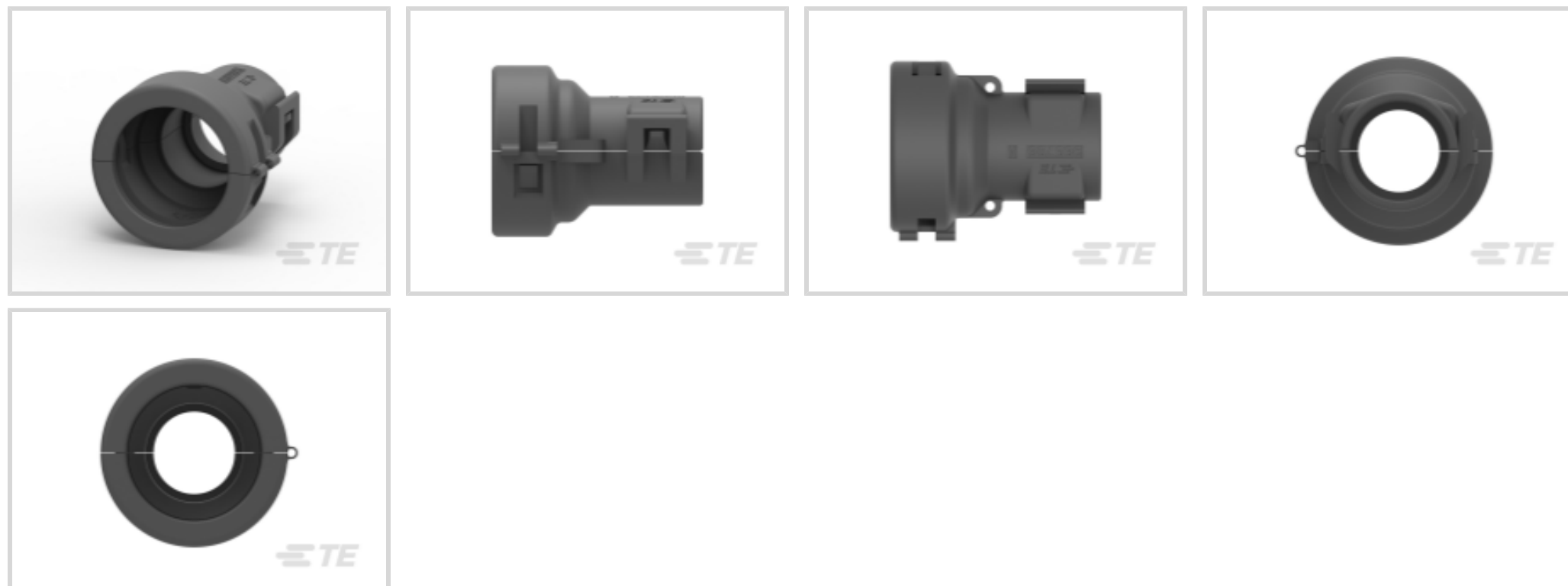
TE Internal Description: ABDECKKAPPE 180GRD

CIRCULAR DIN BACKSHELLS

[View on TE.com >](#)



Connectors > Automotive, Truck, Bus, & Off-Road Connectors > Connector Accessories > Connector Caps & Covers > CIRCULAR DIN BACKSHELLS



Accessory Type: **Cover - Cable Exit**

Cable Exit Angle: **180 (In-Line)**

Strain Relief: **With**

Color: **Black**

Material: **PA**

[All CIRCULAR DIN BACKSHELLS \(16\)](#)

## Features

### Product Type Features

Accessory Type	Cover - Cable Exit
Strain Relief	With
Connector System	Wire-to-Board, Wire-to-Device

### Configuration Features

Number of Positions	4, 7
---------------------	------

### Body Features

Cable Exit Angle	180 (In-Line)
Color	Black
Material	PA

### Dimensions

Cable Bundle Diameter	11.2 mm[.441 in]
-----------------------	------------------

### Usage Conditions

Operating Temperature Range	-40 – 120 °C[-40 – 248 °F]
-----------------------------	----------------------------

### Industry Standards

UL Flammability Rating	UL 94-HB
------------------------	----------

### Packaging Features

Packaging Method	Carton
------------------	--------

### Other

Serviceable	Yes
-------------	-----

### Product Compliance

[For compliance documentation, visit the product page on TE.com>](#)

EU RoHS Directive 2011/65/EU	Compliant
EU ELV Directive 2000/53/EC	Compliant
China RoHS 2 Directive MIIT Order No 32, 2016	No Restricted Materials Above Threshold
EU REACH Regulation (EC) No. 1907/2006	Current ECHA Candidate List: JUL 2019 (201) Candidate List Declared Against: JUL 2019 (201) Does not contain REACH SVHC
EU REACH Regulation (EC) No. 1907/2006	Current ECHA Candidate List: JUL 2019 (201) Candidate List Declared Against: JUL 2019 (201)
Halogen Content	BFR/CFR/PVC Free, but Br/Cl >900 ppm in other sources.
Solder Process Capability	Not applicable for solder process capability

#### Product Compliance Disclaimer

This information is provided based on reasonable inquiry of our suppliers and represents our current actual knowledge based on the information they provided. This information is subject to change. The part numbers that TE has identified as EU RoHS compliant have a maximum concentration of 0.1% by weight in homogenous materials for lead, hexavalent chromium, mercury, PBB, PBDE, DBP, BBP, DEHP, DIBP, and 0.01% for cadmium, or qualify for an exemption to these limits as defined in the Annexes of Directive 2011/65/EU (RoHS2). Finished electrical and electronic equipment products will be CE marked as required by Directive 2011/65/EU. Components may not be CE marked. Additionally, the part numbers that TE has identified as EU ELV compliant have a maximum concentration of 0.1% by weight in homogenous materials for lead, hexavalent chromium, and mercury, and 0.01% for cadmium, or qualify for an exemption to these limits as defined in the Annexes of Directive 2000/53/EC (ELV). Regarding the REACH Regulations, TE's information on SVHC in articles for this part number is still based on the European Chemical Agency (ECHA) 'Guidance on requirements for substances in articles' (Version: 2, April 2011), applying the 0.1% weight on weight concentration threshold at the finished product level. TE is aware of the European Court of Justice ruling of September 10th, 2015 also known as O5A (Once An Article Always An Article) stating that, in case of 'complex object', the threshold for a SVHC must be applied to both the product as a whole and simultaneously to each of the articles forming part of its composition. TE has evaluated this ruling based on the new ECHA "Guidance on requirements for substances in articles" (June 2017, version 4.0) and will be updating its statements accordingly.

### Compatible Parts



## Customers Also Bought



## Documents

### Product Drawings

#### ABDECKKAPPE 180GRD

English

### CAD Files

#### Customer View Model

[ENG\\_CVM\\_965786-1\\_A.3d\\_igs.zip](#)

English

#### Customer View Model

[ENG\\_CVM\\_965786-1\\_A.3d\\_stp.zip](#)

English

#### Customer View Model

[ENG\\_CVM\\_965786-1\\_A.2d\\_dxf.zip](#)

English

### 3D PDF

English

By downloading the CAD file I accept and agree to the [Terms and Conditions](#) of use.

## Datasheets & Catalog Pages

### HDSCS Catalog

English

### CONNECTOR SELECTOR

English

## Product Specifications

### Product Specification



German

[Product Specification](#)

German

---

[Product Environmental Compliance](#)

[TE Material Declaration](#)

English