



AMP | AMP MCP Connector System

TE Internal #: 1-968859-1

AMP MCP Connector System, Automotive, Truck, Bus, & Off-Road Terminals, Receptacle, Tab Width 2.8 mm [.11 in], Tab Thickness .8 mm [.031 in]

[View on TE.com >](#)

Terminals & Splices > Automotive, Truck, Bus, & Off-Road Terminals > AMP MCP, RECEPTACLE AND TAB



Terminal & Splice Type: **Receptacle**

Mating Tab Width: **2.8 mm [.11 in]**

Mating Tab Thickness: **.8 mm [.031 in]**

Terminal Transmits: **25 – 40 A (Power)**

Wire Size: **4 mm²**

[All AMP MCP, RECEPTACLE AND TAB \(139\)](#)

Features

Product Type Features

Receptacle Style	180°
Sealable	Yes
Primary Locking Feature	Locking Lance
Wire Type	Copper

Contact Features

Typical Current Rating	25 A
Crimp Type	F-Crimp
Terminal & Splice Type	Receptacle
Mating Tab Width	2.8 mm [.11 in]
Mating Tab Thickness	.8 mm [.031 in]
Interface Plating	Tin (Sn)
Contact Termination Area Plating Material	Tin (Sn)

Termination Features

Termination Method	Crimp
--------------------	-------

Dimensions

Wire Size	4 mm ²
Wire Size Search	4 mm ²



Wire Insulation Diameter	3.4 – 3.7 mm [.106 – .146 in]
--------------------------	-------------------------------

Usage Conditions

Operating Temperature Range	-40 – 130 °C [-40 – 266 °F]
-----------------------------	-----------------------------

Industry Standards

Agency/Standard	LV214
-----------------	-------

Packaging Features

Packaging Method	Reel
------------------	------

Packaging Quantity	2500
--------------------	------

Other

Terminal Transmits	25 – 40 A (Power)
--------------------	-------------------

Product Compliance

[For compliance documentation, visit the product page on TE.com>](#)

EU RoHS Directive 2011/65/EU	Compliant
------------------------------	-----------

EU ELV Directive 2000/53/EC	Compliant
-----------------------------	-----------

China RoHS 2 Directive MIIT Order No 32, 2016	No Restricted Materials Above Threshold
-----------------------------------------------	-----------------------------------------

EU REACH Regulation (EC) No. 1907/2006	Current ECHA Candidate List: JUL 2019 (201) Candidate List Declared Against: JAN 2019 (197) Does not contain REACH SVHC
----------------------------------------	-------------------------------------------------------------------------------------------------------------------------------

EU REACH Regulation (EC) No. 1907/2006	Current ECHA Candidate List: JUL 2019 (201) Candidate List Declared Against: JAN 2019 (197)
----------------------------------------	------------------------------------------------------------------------------------------------

Halogen Content	Low Halogen - Br, Cl, F, I < 900 ppm per homogenous material. Also BFR/CFR/PVC Free
-----------------	-------------------------------------------------------------------------------------

Solder Process Capability	Not applicable for solder process capability
---------------------------	----------------------------------------------

Product Compliance Disclaimer

This information is provided based on reasonable inquiry of our suppliers and represents our current actual knowledge based on the information they provided. This information is subject to change. The part numbers that TE has identified as EU RoHS compliant have a maximum concentration of 0.1% by weight in homogenous materials for lead, hexavalent chromium, mercury, PBB, PBDE, DBP, BBP, DEHP, DIBP, and 0.01% for cadmium, or qualify for an exemption to these limits as defined in the Annexes of Directive 2011/65/EU (RoHS2). Finished electrical and electronic equipment products will be CE marked as required by Directive 2011/65/EU. Components may not be CE marked. Additionally, the part numbers that TE has identified as EU ELV compliant have a maximum concentration of 0.1% by weight in homogenous materials for lead, hexavalent chromium, and mercury, and 0.01% for cadmium, or qualify for an exemption to these limits as defined in the Annexes of Directive 2000/53/EC (ELV). Regarding the REACH Regulations, TE's information on SVHC in

articles for this part number is still based on the European Chemical Agency (ECHA) 'Guidance on requirements for substances in articles'(Version: 2, April 2011), applying the 0.1% weight on weight concentration threshold at the finished product level. TE is aware of the European Court of Justice ruling of September 10th, 2015 also known as O5A (Once An Article Always An Article) stating that, in case of 'complex object', the threshold for a SVHC must be applied to both the product as a whole and simultaneously to each of the articles forming part of its composition. TE has evaluated this ruling based on the new ECHA "Guidance on requirements for substances in articles" (June 2017, version 4.0) and will be updating its statements accordingly.

Compatible Parts



TE Model / Part # 828986-1
DICHT-STOPFEN



TE Model / Part # 2305570-1
TERMINAL CUTTER, SIDE FEED



TE Model / Part # CAT-M9194-CH8172
MULTILOCK, CONNECTOR HOUSING




TE Model / Part # CAT-T4827-CH8172
TIMER, CONNECTOR HOUSING



TE Model / Part # CAT-AM705-CH8172
AMP MCP, SEALED CONNECTOR HOUSING



TE Model / Part # CAT-M8793-CH8172
MQS, CONNECTOR HOUSING



TE Model / Part # 828985-1
RUPPER PLUG >2,5-4,0MM2



TE Model / Part # 1-2344950-1
95POS, HYBRID, REC HSG, ASSY, COD A



TE Model / Part # 2-2151173-1
OCEAN-2.0-APPLICATOR-S-120F2000



TE Model / Part # 2-2151173-2
OCEAN-2.0-APPLICATOR-S-120F2000



TE Model / Part # 2-2344950-1
95POS, HYBRID, REC HSG, ASSY, COD B



TE Model / Part # 2151173-1
OCEAN-2.0-APPLICATOR-S-120F2000



TE Model / Part # 2151173-2
OCEAN-2.0-APPLICATOR-S-120F2000



TE Model / Part # 7-2151173-7
OCEAN_2.0_SPARE_PART_KIT-120F2000

Also in the Series | **AMP MCP Connector System**



Automotive Connector Caps & Covers (25)



Automotive Connector Locks & Position Assurance(8)



Automotive Seals & Cavity Plugs(6)



Automotive, Truck, Bus, & Off-Road Headers(30)



Automotive, Truck, Bus, & Off-Road Housings(346)

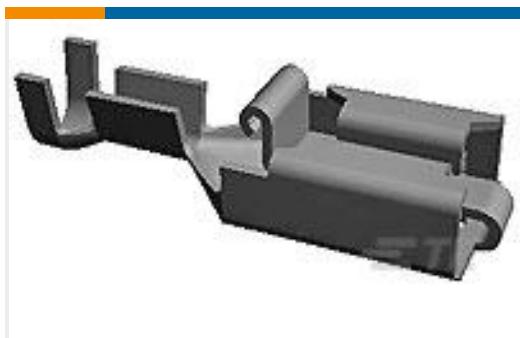


Automotive, Truck, Bus, & Off-Road Terminals(139)



Other Automotive Connector Accessories(2)

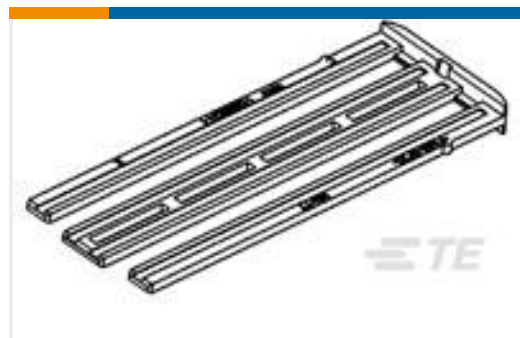
Customers Also Bought



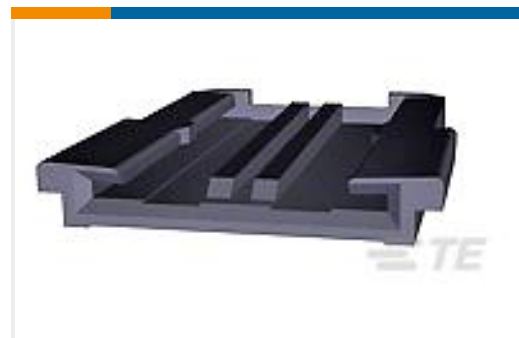
TE Model / Part #927852-6
PL 250 REC TERMINAL 20-17 AWG
PTPB



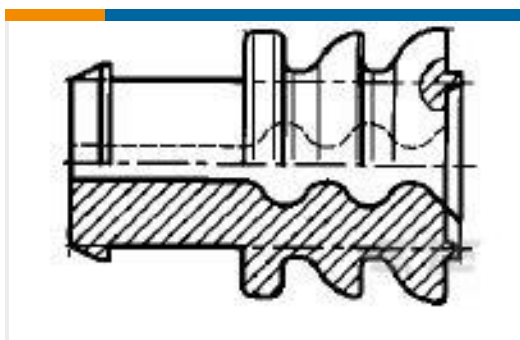
TE Model / Part #1437839-1
107322A=DBL XMAS TREE CLIP, BL



TE Model / Part #1-1355134-1
RETAINER 94P



TE Model / Part #1393449-1
V23540A1000Y452=VERSCHL.26P.



TE Model / Part #828985-1
RUPPER PLUG >2,5-4,0MM2



TE Model / Part #1-1452424-1
BLIND PLUG FOR MCON 1.2 CB (0)



TE Model / Part #1670108-1
BLIND PLUG FEMALE 1.5

Documents

Product Drawings

[AMP MCP 2.8, CONTACT SWS](#)

English

[AMP MCP 2.8, CONTACT SWS](#)

English

CAD Files

[3D PDF](#)



3D

Customer View Model

[ENG_CVM_CVM_1-968859-1_E.2d_dxf.zip](#)

English

Customer View Model

[ENG_CVM_CVM_1-968859-1_E.3d_igs.zip](#)

English

Customer View Model

[ENG_CVM_CVM_1-968859-1_E.3d_stp.zip](#)

English

By downloading the CAD file I accept and agree to the [Terms and Conditions](#) of use.

Datasheets & Catalog Pages

[HDSCS Catalog](#)

English

Product Specifications

[Application Specification](#)

German

[Application Specification](#)

English