

1-1418448-1 ✓ ACTIVE

AMP | HDSCS

TE Internal #: 1-1418448-1

HDSCS, Housing for female terminals, Wire-to-Wire, 3 Position, 4mm [.157in] Centerline, Sealable, Black, Signal

[View on TE.com >](#)



Connectors > Automotive, Truck, Bus, & Off-Road Connectors > Connector Housings > HDSCS HOUSINGS



Connector Style: **Housing for female terminals**

Mating Tab Width: **1.6 mm [.063 in]**

Connector System: **Wire-to-Wire**

Number of Positions: **3**

Centerline (Pitch): **4 mm [.157 in]**

[All HDSCS HOUSINGS \(186\)](#)

Features

Product Type Features

Connector Style	Housing for female terminals
Connector System	Wire-to-Wire
Sealable	Yes
Hybrid Connector	No
Primary Locking Feature	On the Terminal
Strain Relief	No

Configuration Features

Number of Positions	3
Number of Rows	1

Electrical Characteristics

Nominal Voltage Architecture	12 V, 24 V, 42 V, 60 V
Operating Voltage	60 VDC

Body Features



Cable Exit Angle	Other
Body Material	PBT GF
Color	Black

Contact Features

Mating Tab Width	1.6 mm[.063 in]
------------------	-----------------

Mechanical Attachment

Terminal Position Assurance	No
Mounting Feature	Without
Polarized	Yes

Housing Features

Centerline (Pitch)	4 mm[.157 in]
--------------------	---------------

Dimensions

Height	30.75 mm[1.211 in]
Length	36 mm[1.417 in]
Width	18.5 mm[.728 in]

Usage Conditions

Operating Temperature Range	-40 – 140 °C[-40 – 284 °F]
-----------------------------	----------------------------

Operation/Application

Circuit Application	Signal
---------------------	--------

Industry Standards

Degree of Protection	IP67
UL Flammability Rating	UL 94V-0

Packaging Features

Packaging Method	Package
Packaging Quantity	1

Other

Serviceable	Yes
Connector Position Assurance Capable	No

Product Compliance

[For compliance documentation, visit the product page on TE.com>](#)



EU RoHS Directive 2011/65/EU	Compliant
EU ELV Directive 2000/53/EC	Compliant
China RoHS 2 Directive MIIT Order No 32, 2016	No Restricted Materials Above Threshold
EU REACH Regulation (EC) No. 1907/2006	Current ECHA Candidate List: JUL 2019 (201) Candidate List Declared Against: JUL 2019 (201) Does not contain REACH SVHC
EU REACH Regulation (EC) No. 1907/2006	Current ECHA Candidate List: JUL 2019 (201) Candidate List Declared Against: JUL 2019 (201)
Halogen Content	Not Low Halogen - contains Br or Cl > 900 ppm.
Solder Process Capability	Not applicable for solder process capability

Product Compliance Disclaimer

This information is provided based on reasonable inquiry of our suppliers and represents our current actual knowledge based on the information they provided. This information is subject to change. The part numbers that TE has identified as EU RoHS compliant have a maximum concentration of 0.1% by weight in homogenous materials for lead, hexavalent chromium, mercury, PBB, PBDE, DBP, BBP, DEHP, DIBP, and 0.01% for cadmium, or qualify for an exemption to these limits as defined in the Annexes of Directive 2011/65/EU (RoHS2). Finished electrical and electronic equipment products will be CE marked as required by Directive 2011/65/EU. Components may not be CE marked. Additionally, the part numbers that TE has identified as EU ELV compliant have a maximum concentration of 0.1% by weight in homogenous materials for lead, hexavalent chromium, and mercury, and 0.01% for cadmium, or qualify for an exemption to these limits as defined in the Annexes of Directive 2000/53/EC (ELV). Regarding the REACH Regulations, TE's information on SVHC in articles for this part number is still based on the European Chemical Agency (ECHA) 'Guidance on requirements for substances in articles' (Version: 2, April 2011), applying the 0.1% weight on weight concentration threshold at the finished product level. TE is aware of the European Court of Justice ruling of September 10th, 2015 also known as O5A (Once An Article Always An Article) stating that, in case of 'complex object', the threshold for a SVHC must be applied to both the product as a whole and simultaneously to each of the articles forming part of its composition. TE has evaluated this ruling based on the new ECHA "Guidance on requirements for substances in articles" (June 2017, version 4.0) and will be updating its statements accordingly.

Compatible Parts



TE Model / Part # CAT-H3399-CH8172
HDSCS HOUSINGS



TE Model / Part # CAT-H3399-C1748
HDSCS PROTECTION CAPS



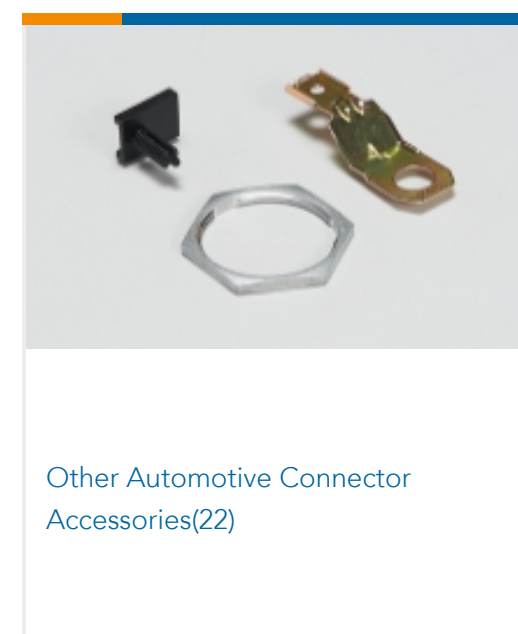
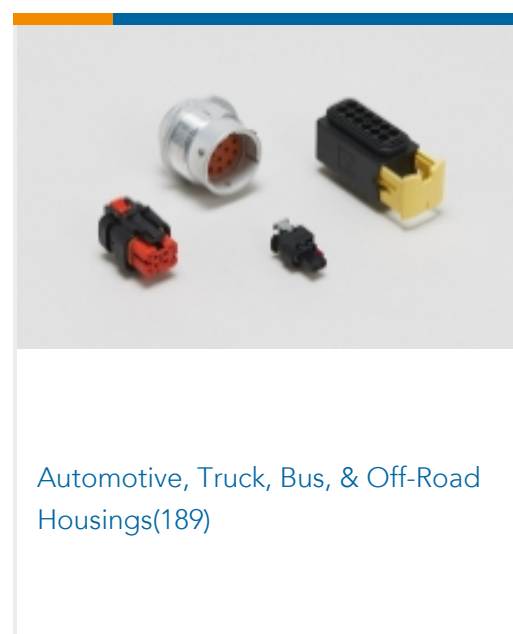
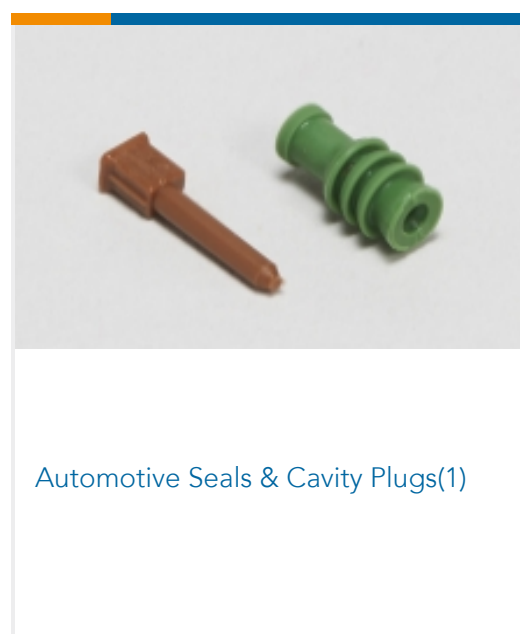
TE Model / Part # CAT-H3399-B128
HDSCS BACKSHELLS



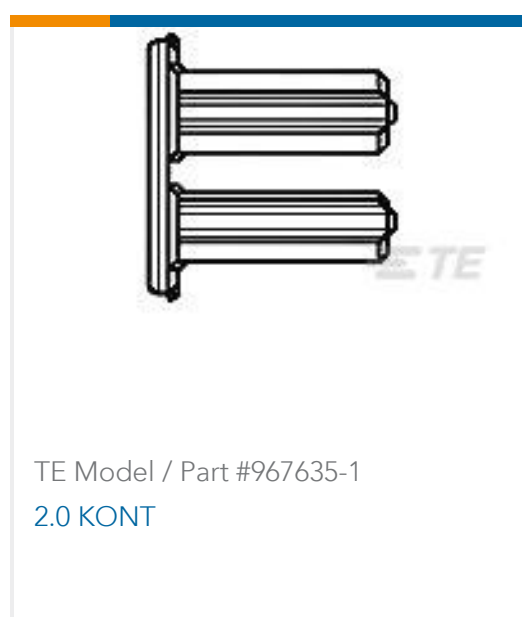
TE Model / Part # CAT-AM705-T273
AMP MCP, RECEPTACLE AND TAB



Also in the Series | HDSCS



Customers Also Bought



Documents

Product Drawings

3 POS. AMP MCP1.5k REC.HSG CO

English

CAD Files

Customer View Model

[ENG_CVM_CVM_1-1418448-1_J.3d_igs.zip](#)

English

Customer View Model

[ENG_CVM_CVM_1-1418448-1_J.3d_stp.zip](#)

English

Customer View Model

[ENG_CVM_CVM_1-1418448-1_J.2d_dxf.zip](#)

English

[3D PDF](#)



3D

By downloading the CAD file I accept and agree to the [Terms and Conditions](#) of use.

Datasheets & Catalog Pages

ICT Terminals and Connectors Catalogue

English

HDSCS Catalog

English

HDSCS CAN Bus Y-Connector and 120 Resistor Brochure

English

CONNECTOR SELECTOR

English

Product Specifications

Application Specification

English

Product Environmental Compliance

TE Material Declaration

English