

NOTES

- 適合ハウジング: 502578-\*\*\*\*, 503149-\*\*\*\*  
 APPLICABLE HOUSING: 502578-\*\*\*\*, 503149-\*\*\*\*
- 図示の斜線部の範囲は、接点部のため、傷、打痕、汚れなどを付けないようにして下さい。  
 PLEASE DON'T DAMAGE, DON'T DENT, AND DON'T MAKE IT DIRTY. BECAUSE THE RANGE IN THE SHADED PORTION SHOWN IN FIGURE IS THE CONTACT AREA.
- トレードマーク: MX プラス1文字の製造工場を示すアルファベットにて表示。但し「J」は JAPAN を示す。(例 MXJ)  
 FORMED BY MX AND 1 MORE LETTER OF ALPHABET WHICH MEAN THE MANUFACTORY. BUT "J" MEANS JAPAN. (TO TRADE MARK) (e.g. MXJ)
- ELV 及び RoHS 適合品  
 ELV AND RoHS COMPLIANT

φ0.78-1.28mm	AWG#24-28	502579-0100	バラ状 LOSE
		502579-0000	連鎖状 CHAIN
絶縁被覆外径範囲 INS. RANGE	適用電線範囲 WIRE RANGE	製品番号 MATERIAL NO.	端子形状 FORM

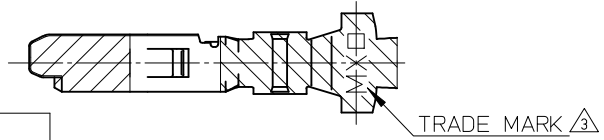
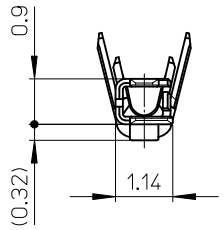
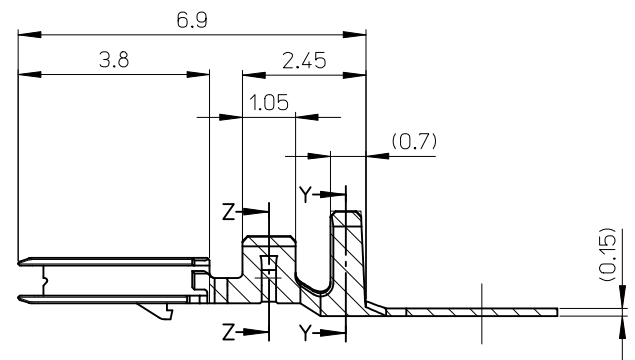
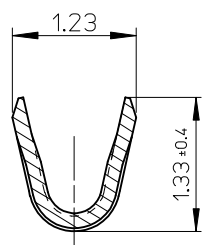
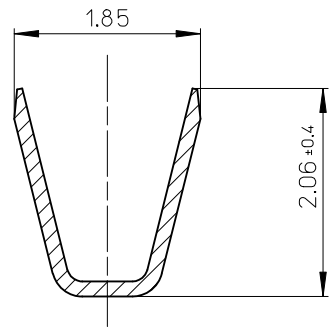
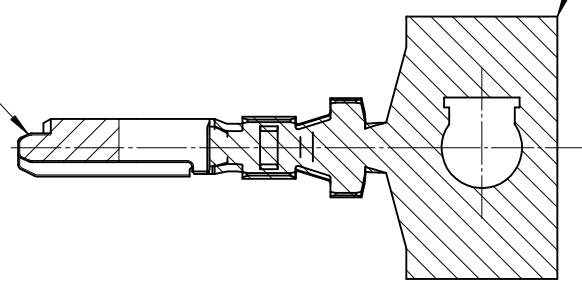
部品 PART	材質 MATERIAL
ターミナル TERMINAL	銅合金 COPPER ALLOY
	錫めっき: 0.4 micro-meter MIN. リフロー処理(前めっき) TIN REFLOW TREATMENT (PRE-PLATED)
	ニッケルめっき(下地): 0.1 micro-meter MIN. リフロー処理(前めっき) NICKEL (UNDER PLATING) REFLOW TREATMENT (PRE-PLATED)

REVISED EC NO: J2010-2153 DRWN: YG010 2010/04/27 CHKD: KASAKAWA 2010/04/29 APPR: NUKITA 2010/05/12	GENERAL TOLERANCES (UNLESS SPECIFIED)	
	10 UNDER	± 0.2
	10 OVER 30 UNDER	± 0.25
	30 OVER	± 0.3
	ANGULAR	± 3 °
	DRAFT WHERE APPLICABLE MUST REMAIN WITHIN DIMENSIONS	

DIMENSION STYLE MM ONLY		SCALE 10:1	DESIGN UNITS METRIC	THIRD ANGLE PROJECTION
DRAWN BY NITO	DATE 2007/07/09	TITLE 1.5 W/B CONN. SINGLE PLUG TERMINAL		
CHECKED BY KASAKAWA	DATE 2007/07/09	MOLEX INCORPORATED		
APPROVED BY YOITO	DATE 2007/07/09	MATERIAL NO. SEE TABLE	DOCUMENT NO. SD-502579-001	SHEET NO. 1 OF 1
SIZE A3 THIS DRAWING CONTAINS INFORMATION THAT IS PROPRIETARY TO MOLEX INCORPORATED AND SHOULD NOT BE USED WITHOUT WRITTEN PERMISSION				

△ Au PLATING AREA

Sn PLATING AREA



NOTES

- 適合ハウジング: 502578\*\*\*\*, 503149\*\*\*\*  
APPLICABLE HOUSING: 502578\*\*\*\*, 503149\*\*\*\*
- 図示の斜線部の範囲は、接点部のため、傷、打痕、汚れなどを付けないようにして下さい。  
PLEASE DON'T DAMAGE, DON'T DENT, AND DON'T MAKE IT DIRTY. BECAUSE THE RANGE IN THE SHADED PORTION SHOWN IN FIGURE IS THE CONTACT AREA.
- トレードマーク: MX プラス1文字の製造工場を示すアルファベットにて表示。但し「J」は JAPAN を示す。(例 MXJ)  
FORMED BY MX AND 1 MORE LETTER OF ALPHABET WHICH MEAN THE MANUFACTORY. BUT "J" MEANS JAPAN. (TO TRADE MARK) (e.g. MXJ)
- ELV 及び RoHS 適合品  
ELV AND RoHS COMPLIANT

部品 PART	材質 MATERIAL	
	5025791***	
ターミナル TERMINAL	コンタクト部 CONTACT POS.	銅合金 COPPER ALLOY 金めっき: 0.2 μm MIN. GOLD リフロー処理 (前めっき) REFLOW TREATMENT (PRE-PLATED)
	バレル部 BARREL POS.	錫めっき: 1.0 μm MIN. TIN リフロー処理 (前めっき) REFLOW TREATMENT (PRE-PLATED)
	ニッケルめっき (下地): 1.0 micro-meter MIN. NICKEL (UNDER PLATING) リフロー処理 (前めっき) REFLOW TREATMENT (PRE-PLATED)	

RELEASED EC NO: J2015-0528 DRWN: TAKAIKE 2014/10/21 CHKD: KASAKAWA 2015/02/16 APPR: NUKITA 2015/02/16	DESCRIPTION	GENERAL TOLERANCES (UNLESS SPECIFIED)		
		0.25 UNDER	UNDER	± 0.03
		0.25 OVER	0.5 UNDER	± 0.05
		0.5 OVER	1.0 UNDER	± 0.1
		1.0 OVER	10 UNDER	± 0.2
		10 OVER	30 UNDER	± 0.25
A	REV	30 OVER		± 0.3
		ANGULAR ±3 °		
		DRAFT WHERE APPLICABLE MUST REMAIN WITHIN DIMENSIONS		

DIMENSION STYLE MM ONLY		SCALE 10:1	DESIGN UNITS METRIC	THIRD ANGLE PROJECTION
DRAWN BY TAKAIKE	DATE 2014/10/21	TITLE 1.5 W/B CONN. SINGLE PLUG TERMINAL		
CHECKED BY KASAKAWA	DATE 2015/02/16	MATERIAL NO. SD-502579-002		
APPROVED BY NUKITA	DATE 2015/02/16	SHEET NO. 1 OF 1		
MATERIAL NO. SEE TABLE				
THIS DRAWING CONTAINS INFORMATION THAT IS PROPRIETARY TO MOLEX INCORPORATED AND SHOULD NOT BE USED WITHOUT WRITTEN PERMISSION				