

282080-1 ✓ ACTIVE

AMP | AMP Superseal 1.5mm Series

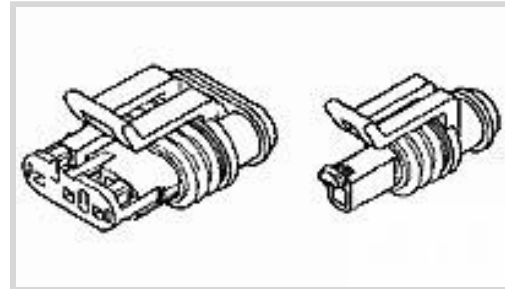
TE Internal #: 282080-1

AMP Superseal 1.5mm Series, Housing for Female Terminals, Wire-to-Board / Wire-to-Device / Wire-to-Wire, 2 Position, 6mm [.236in] Centerline, Sealable

[View on TE.com >](#)



Connectors > Automotive Connectors > Connector Housings > AMP SUPERSEAL 1.5MM, CONNECTOR HOUSING



Connector & Housing Type: **Housing for Female Terminals**

Mating Tab Width: **1.5 mm [.059 in]**

Connector System: **Wire-to-Board, Wire-to-Device, Wire-to-Wire**

Number of Positions: **2**

Centerline (Pitch): **6 mm [.236 in]**

[All AMP SUPERSEAL 1.5MM, CONNECTOR HOUSING \(26\)](#)

Features

Product Type Features

Connector & Housing Type	Housing for Female Terminals
Connector System	Wire-to-Board, Wire-to-Device, Wire-to-Wire
Sealable	Yes
Hybrid Connector	No
Primary Locking Feature	On the Terminal
Strain Relief	No

Configuration Features

Number of Positions	2
Number of Rows	1

Electrical Characteristics

Nominal Voltage Architecture	12 V, 24 V
Operating Voltage	24 VDC

Body Features

Cable Exit Angle	180°
Body Material	PA GF
Primary Product Color	Black



Connector Code Z

Contact Features

Mating Tab Width 1.5 mm[.059 in]

Mechanical Attachment

Terminal Position Assurance Yes

Mounting Feature Without

Polarized Yes

Housing Features

Centerline (Pitch) 6 mm[.236 in]

Dimensions

Height 32.2 mm[1.268 in]

Length 17.1 mm[.673 in]

Width 9.3 mm[.366 in]

Usage Conditions

Operating Temperature (Max) 70 °C, 75 °C, 80 °C, 85 °C, 90 °C, 100 °C, 105 °C, 110 °C, 120 °C, 125 °C[158 °F][167 °F][176 °F][185 °F][194 °F][212 °F][221 °F][230 °F][248 °F][257 °F]

Operating Temperature Range -40 – 125 °C, -40 – 125 °C[-40 – 257 °F][-40 – 257 °F]

Operation/Application

Circuit Application Signal

Industry Standards

Degree of Protection IP67

Packaging Features

Packaging Method Bag

Packaging Quantity 800

Other

Serviceable Yes

Connector Position Assurance Capable No

Product Compliance

[For compliance documentation, visit the product page on TE.com>](#)



EU RoHS Directive 2011/65/EU	Compliant
EU ELV Directive 2000/53/EC	Compliant
China RoHS 2 Directive MIIT Order No 32, 2016	No Restricted Materials Above Threshold
EU REACH Regulation (EC) No. 1907/2006	Current ECHA Candidate List: JUN 2020 (209) Candidate List Declared Against: JUN 2020 (209) Does not contain REACH SVHC
Halogen Content	BFR/CFR/PVC Free, but Br/Cl >900 ppm in other sources.
Solder Process Capability	Not applicable for solder process capability

Product Compliance Disclaimer

This information is provided based on reasonable inquiry of our suppliers and represents our current actual knowledge based on the information they provided. This information is subject to change. The part numbers that TE has identified as EU RoHS compliant have a maximum concentration of 0.1% by weight in homogenous materials for lead, hexavalent chromium, mercury, PBB, PBDE, DBP, BBP, DEHP, DIBP, and 0.01% for cadmium, or qualify for an exemption to these limits as defined in the Annexes of Directive 2011/65/EU (RoHS2). Finished electrical and electronic equipment products will be CE marked as required by Directive 2011/65/EU. Components may not be CE marked. Additionally, the part numbers that TE has identified as EU ELV compliant have a maximum concentration of 0.1% by weight in homogenous materials for lead, hexavalent chromium, and mercury, and 0.01% for cadmium, or qualify for an exemption to these limits as defined in the Annexes of Directive 2000/53/EC (ELV). Regarding the REACH Regulation, the information TE provides on SVHC in articles for this part number is based on the latest European Chemicals Agency (ECHA) 'Guidance on requirements for substances in articles' posted at this URL: <https://echa.europa.eu/guidance-documents/guidance-on-reach>

Compatible Parts

TE Model / Part # 9-1579007-1
EXTRACTION TOOL

TE Model / Part # CAT-AM7801-CH8172
AMPSEAL 16 HOUSINGS

TE Model / Part # CAT-AM71-T273
AMP SUPERSEAL 1.5MM, RECEPTACLE AND TAB

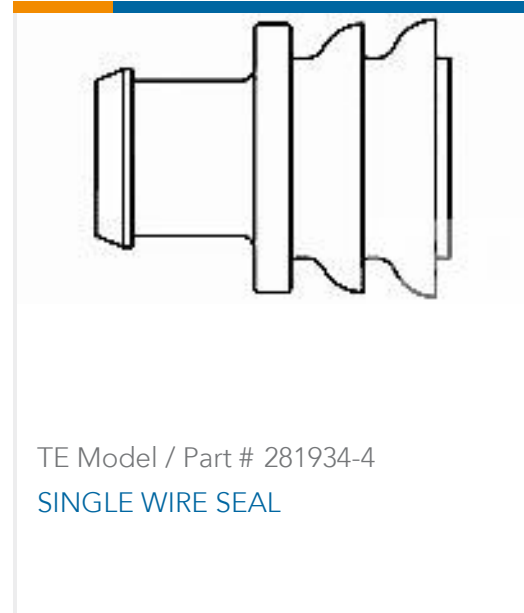
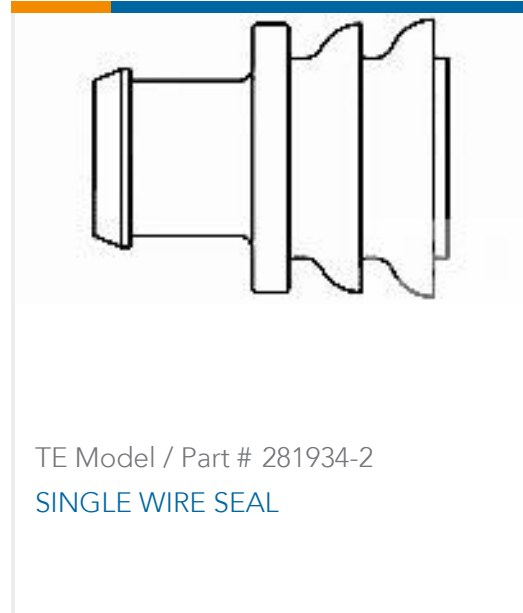
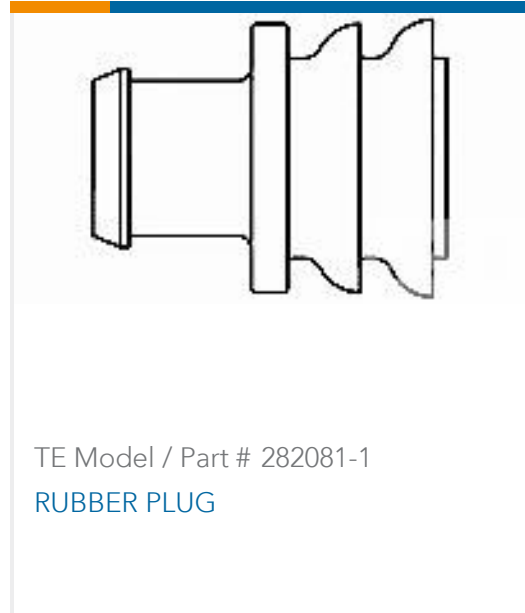
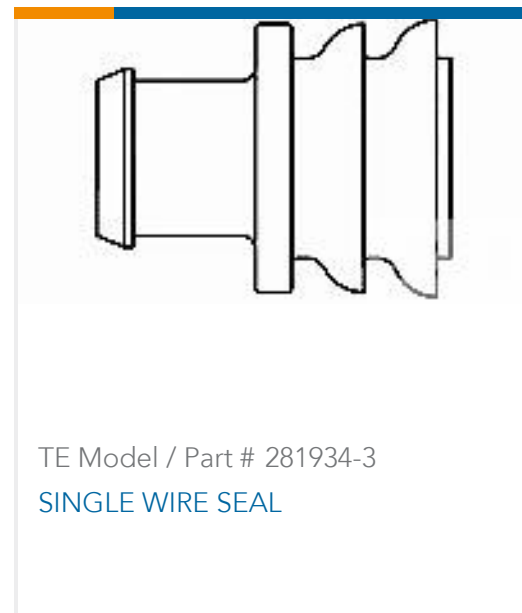
TE Model / Part # CAT-AM71-CH8172
AMP SUPERSEAL 1.5MM, CONNECTOR HOUSING

TE Model / Part # 5-1414968-1
V23132B2002B200-EV-USBX

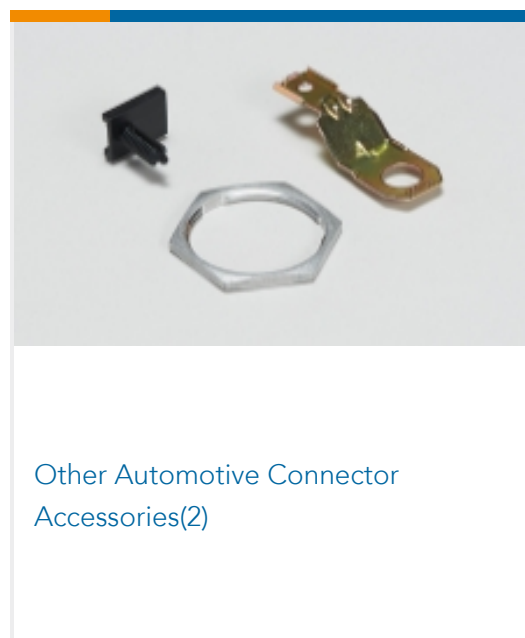
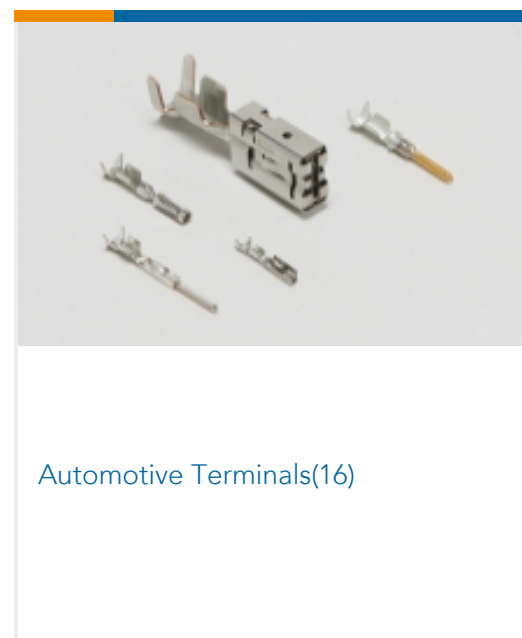
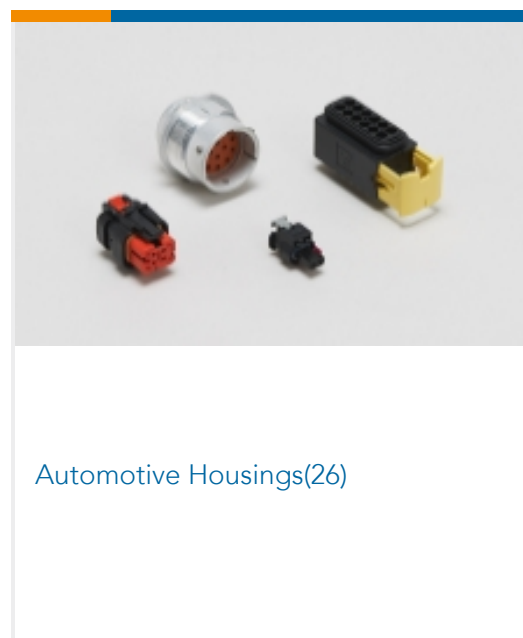
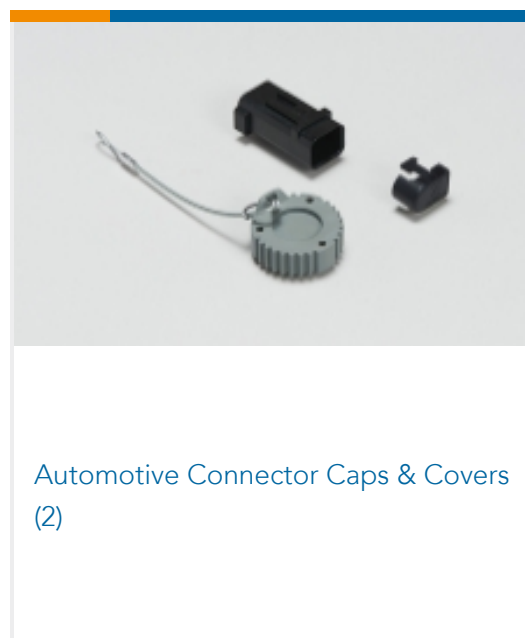
TE Model / Part # 2-1414939-2
V23132A2001B200-EV-USBX

TE Model / Part # 776310-1
SECONDARY LOCK

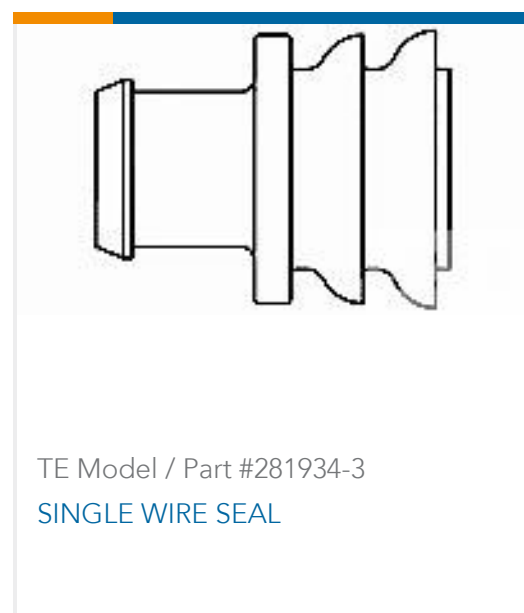
TE Model / Part # 776310-2
SECONDARY LOCK, J1939, TIN VERSION

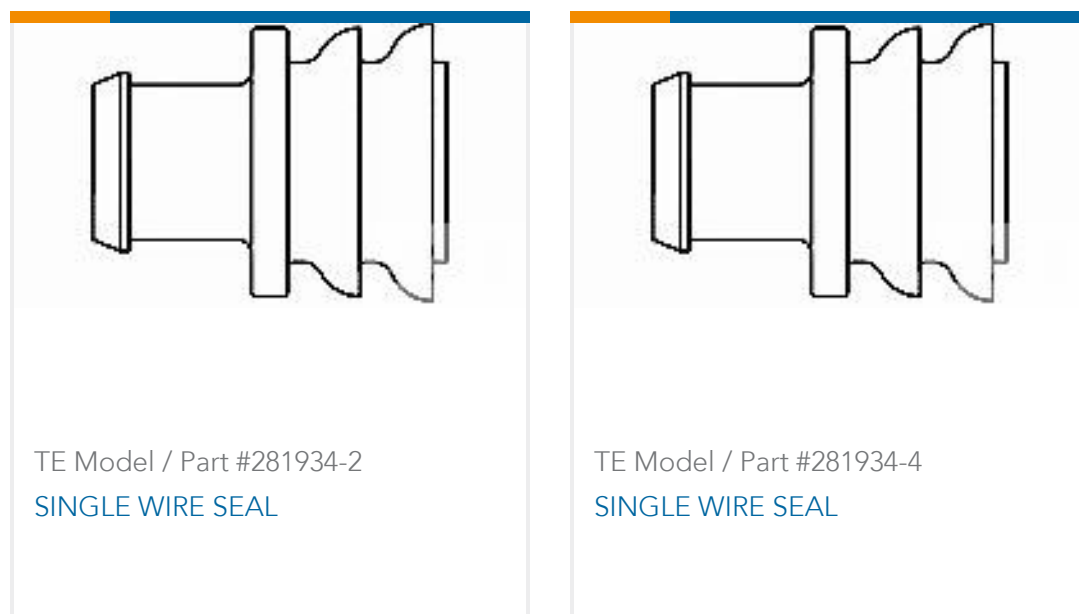


Also in the Series | AMP Superseal 1.5mm Series



Customers Also Bought





Documents

Product Drawings

AMP SUPERSEAL 1.5 SERIES 2P PL

English

CAD Files

3D PDF

3D

Customer View Model

[ENG_CVM_CVM_282080-1_D.2d_dxf.zip](#)

English

Customer View Model

[ENG_CVM_CVM_282080-1_D.3d_igs.zip](#)

English

Customer View Model

[ENG_CVM_CVM_282080-1_D.3d_stp.zip](#)

English

By downloading the CAD file I accept and agree to the [Terms and Conditions](#) of use.

Datasheets & Catalog Pages

AMP SUPERSEAL 1.5mm Connector System

English

ICT Terminals and Connectors Catalogue

English

Product Specifications

Product Specification

English

Product Environmental Compliance

[MD_282080-1_05252018518_dmtec](#)

English

[MD_282080-1_05252018518_dmtec](#)

English

Instruction Sheets

AMP SUPERSEAL 1.5 SERIES



English

[Customer Manual \(non U.S.\)](#)

English