

282104-1 ✓ ACTIVE

AMP | AMP Superseal 1.5mm Series

TE Internal #: 282104-1

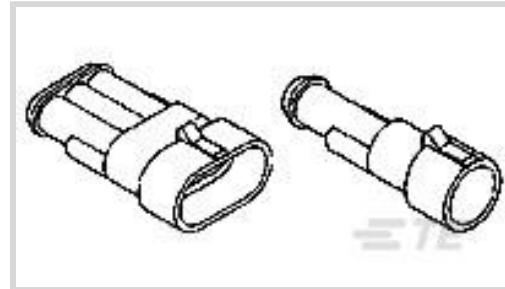
AMP Superseal 1.5mm Series, Housing for Male Terminals, Wire-to-Wire / Wire-to-Board / Wire-to-Device, 2 Position, 6mm [.236in]

Centerline, Black

[View on TE.com >](#)



Connectors > Automotive Connectors > Connector Housings > AMP SUPERSEAL 1.5MM, CONNECTOR HOUSING



Connector & Housing Type: **Housing for Male Terminals**

Mating Tab Width: **1.5 mm [.059 in]**

Connector System: **Wire-to-Board, Wire-to-Device, Wire-to-Wire**

Number of Positions: **2**

Centerline (Pitch): **6 mm [.236 in]**

[All AMP SUPERSEAL 1.5MM, CONNECTOR HOUSING \(26\)](#)

Features

Product Type Features

Connector & Housing Type	Housing for Male Terminals
Connector System	Wire-to-Board, Wire-to-Device, Wire-to-Wire
Sealable	No
Hybrid Connector	No
Primary Locking Feature	Integrated in Housing
Strain Relief	No

Configuration Features

Number of Positions	2
Number of Rows	1

Electrical Characteristics

Nominal Voltage Architecture	12 V, 24 V
Operating Voltage	24 VDC

Body Features

Cable Exit Angle	180°
Body Material	PA GF
Primary Product Color	Black



Contact Features

Mating Tab Width	1.5 mm[.059 in]
------------------	-----------------

Mechanical Attachment

Terminal Position Assurance	Yes
Mounting Feature	Without
Polarized	Yes

Housing Features

Centerline (Pitch)	6 mm[.236 in]
--------------------	---------------

Dimensions

Height	42 mm[1.654 in]
Length	19.8 mm[.78 in]
Width	13.8 mm[.543 in]

Usage Conditions

Operating Temperature (Max)	70 °C, 75 °C, 80 °C, 85 °C, 90 °C, 100 °C, 105 °C, 110 °C, 120 °C, 125 °C[158 °F][167 °F][176 °F][185 °F][194 °F][212 °F][221 °F][230 °F][248 °F][257 °F]
Operating Temperature Range	-40 – 125 °C, -40 – 125 °C[-40 – 257 °F][-40 – 257 °F]

Operation/Application

Circuit Application	Signal
---------------------	--------

Industry Standards

Degree of Protection	IP67
----------------------	------

Packaging Features

Packaging Method	Box
Packaging Quantity	1500

Other

Serviceable	Yes
Connector Position Assurance Capable	No

Product Compliance

For compliance documentation, visit the product page on [TE.com](https://www.te.com)>

EU RoHS Directive 2011/65/EU	Compliant
------------------------------	-----------



EU ELV Directive 2000/53/EC	Compliant
China RoHS 2 Directive MIIT Order No 32, 2016	No Restricted Materials Above Threshold
EU REACH Regulation (EC) No. 1907/2006	Current ECHA Candidate List: JUN 2020 (209) Candidate List Declared Against: JUN 2020 (209) Does not contain REACH SVHC
Halogen Content	Low Halogen - Br, Cl, F, I < 900 ppm per homogenous material. Also BFR/CFR/PVC Free
Solder Process Capability	Not applicable for solder process capability


Product Compliance Disclaimer

This information is provided based on reasonable inquiry of our suppliers and represents our current actual knowledge based on the information they provided. This information is subject to change. The part numbers that TE has identified as EU RoHS compliant have a maximum concentration of 0.1% by weight in homogenous materials for lead, hexavalent chromium, mercury, PBB, PBDE, DBP, BBP, DEHP, DIBP, and 0.01% for cadmium, or qualify for an exemption to these limits as defined in the Annexes of Directive 2011/65/EU (RoHS2). Finished electrical and electronic equipment products will be CE marked as required by Directive 2011/65/EU. Components may not be CE marked. Additionally, the part numbers that TE has identified as EU ELV compliant have a maximum concentration of 0.1% by weight in homogenous materials for lead, hexavalent chromium, and mercury, and 0.01% for cadmium, or qualify for an exemption to these limits as defined in the Annexes of Directive 2000/53/EC (ELV). Regarding the REACH Regulation, the information TE provides on SVHC in articles for this part number is based on the latest European Chemicals Agency (ECHA) 'Guidance on requirements for substances in articles' posted at this URL: <https://echa.europa.eu/guidance-documents/guidance-on-reach>

Compatible Parts



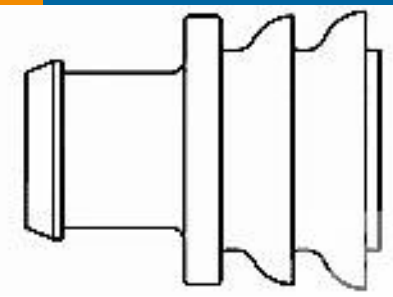
TE Model / Part # CAT-AM71-T273
AMP SUPERSEAL 1.5MM, RECEPTACLE AND TAB



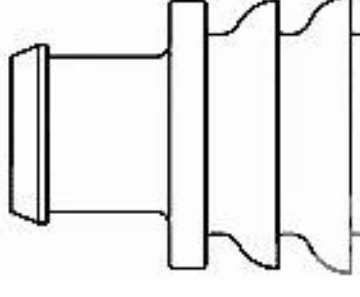
TE Model / Part # CAT-AM71-CH8172
AMP SUPERSEAL 1.5MM, CONNECTOR HOUSING



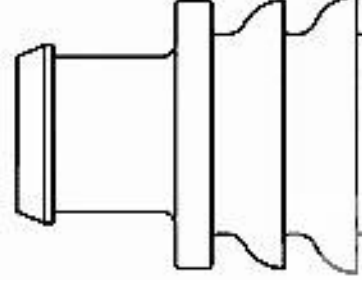
TE Model / Part # 785061-1
INSERT TOOL SEC/LOC TAB 1 & 2 P



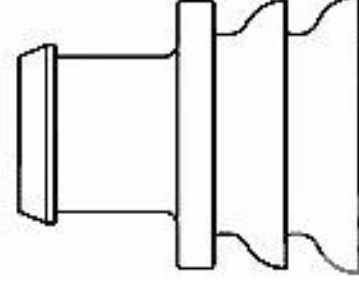
TE Model / Part # 281934-3
SINGLE WIRE SEAL



TE Model / Part # 282081-1
RUBBER PLUG



TE Model / Part # 281934-2
SINGLE WIRE SEAL



TE Model / Part # 281934-4
SINGLE WIRE SEAL

Also in the Series | AMP Superseal 1.5mm Series



Automotive Connector Caps & Covers (2)



Automotive Housings(26)



Automotive Seals & Cavity Plugs(4)



Automotive Terminals(16)



Other Automotive Connector Accessories(2)

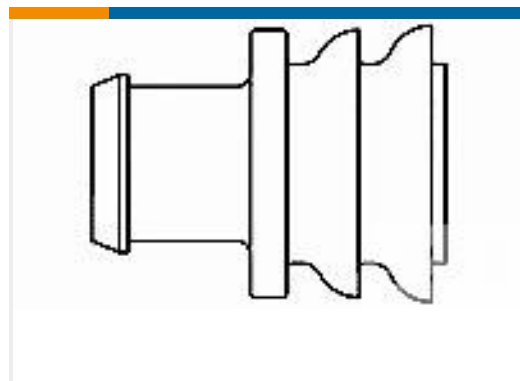
Customers Also Bought



TE Model / Part #282087-1
AMP SUPERSEAL 1.5MM,
CONNECTOR HOUSING



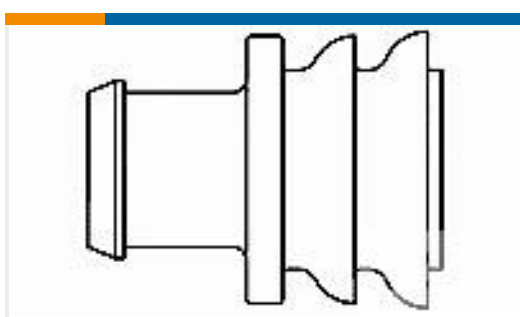
TE Model / Part #183024-1
AMP SUPERSEAL 1.5MM,
RECEPTACLE AND TAB



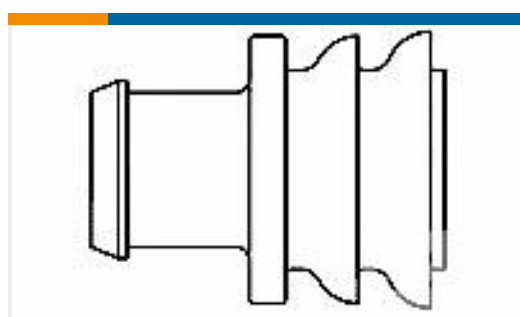
TE Model / Part #281934-3
SINGLE WIRE SEAL



TE Model / Part #880810-1
COVER CAP , 2 WAY



TE Model / Part #281934-2
SINGLE WIRE SEAL



TE Model / Part #281934-4
SINGLE WIRE SEAL

Documents

Product Drawings

[AMP SUPERSEAL 1.5 SERIES 2P CA](#)

English

CAD Files

[3D PDF](#)

[3D](#)

[Customer View Model](#)

[ENG_CVM_CVM_282104-1_B.2d_dxf.zip](#)



English

Customer View Model

[ENG_CVM_CVM_282104-1_B.3d_igs.zip](#)

English

Customer View Model

[ENG_CVM_CVM_282104-1_B.3d_stp.zip](#)

English

By downloading the CAD file I accept and agree to the [Terms and Conditions](#) of use.

Datasheets & Catalog Pages

[AMP SUPERSEAL 1.5mm Connector System](#)

English

[ICT Terminals and Connectors Catalogue](#)

English

Product Specifications

[Product Specification](#)

English

Product Environmental Compliance

[MD_282104-1_05302018039_dmtec](#)

English

[MD_282104-1_05302018039_dmtec](#)

English

Instruction Sheets

[AMP SUPERSEAL 1.5 SERIES](#)

English

[Customer Manual \(non U.S.\)](#)

English