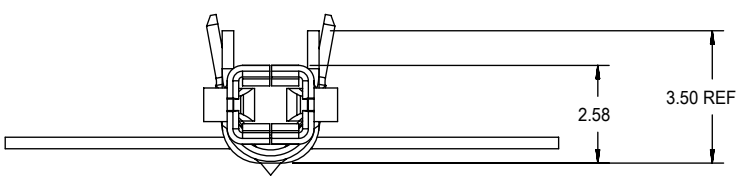
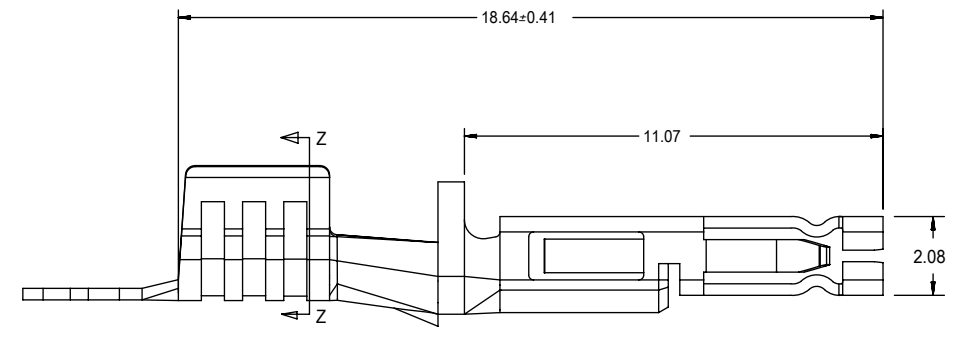
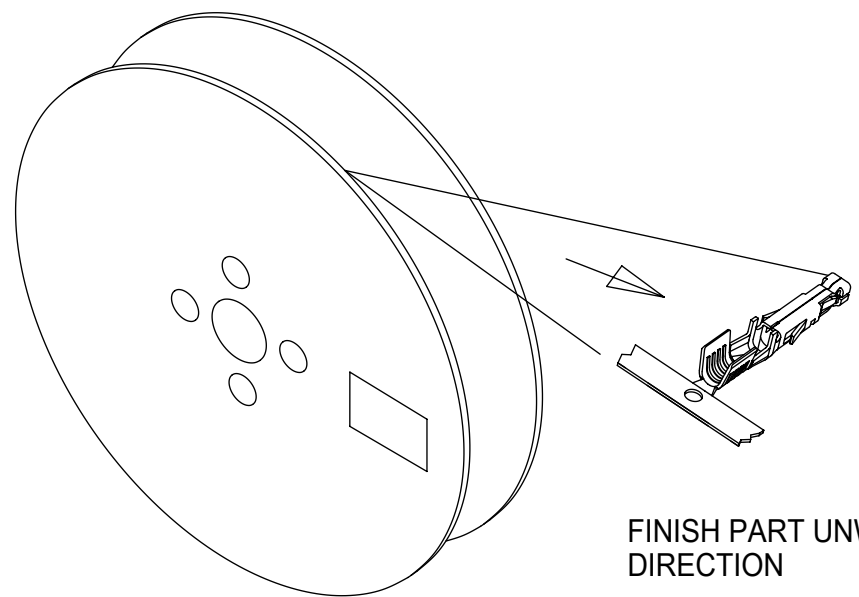
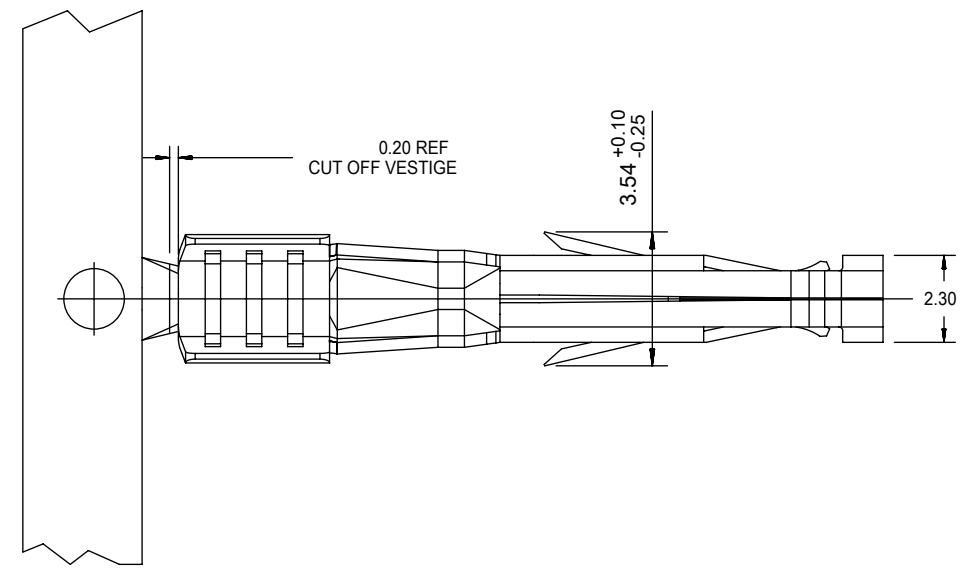
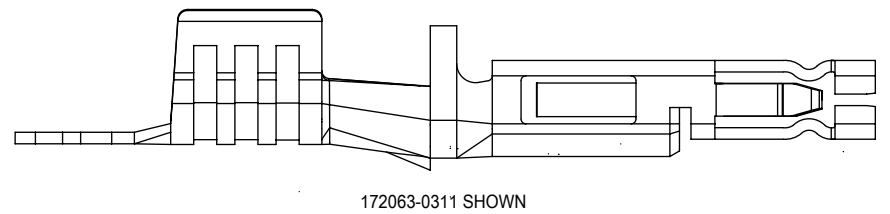
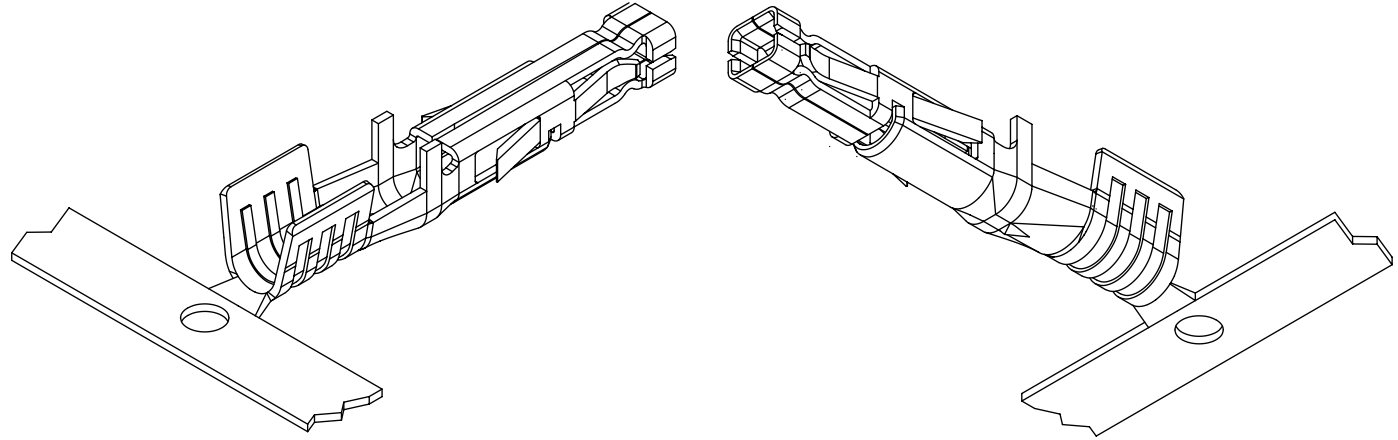
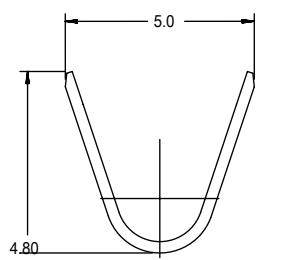
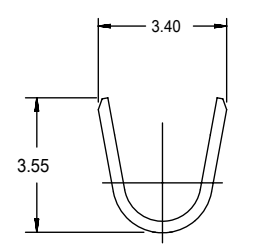


ITEM NO.	WIRE GAUGE (AWG)	WIRE GAUGE (METRIC)	PLATING	PACKAGING
172063-0311	14 OR 16 AWG	1.5mm <sup>2</sup>	15 GOLD	REEL
172063-0312	12 AWG	4.0 OR 2.5mm <sup>2</sup>	15 GOLD	REEL
172063-1311	14 OR 16 AWG	1.5mm <sup>2</sup>	30 GOLD	REEL
172063-1312	12 AWG	4.0 OR 2.5mm <sup>2</sup>	30 GOLD	REEL
76823-0321	14 OR 16 AWG	1.5mm <sup>2</sup>	TIN	REEL
76823-0322	12 AWG	4.0 OR 2.5mm <sup>2</sup>	TIN	REEL



76823-0321 SHOWN



MODEL: EM-76823-0111 & EM-172063-0311

- NOTES:
1. MATERIAL: HIGH CONDUCTIVITY COPPER ALLOY
  2. FINISH:  
(TIN) 1.52 MICROMETER (60 MICROINCH) MINIMUM REFLOWED MATTE TIN OVER  
1.27 MICROMETER (50 MICROINCH) MINIMUM NICKEL. LUBRICANT ADDED TO CONTACT INTERFACE.  
(15 GOLD) 0.38 MICROMETER (15 MICROINCH) MINIMUM SELECT GOLD AND  
2.54 MICROMETER (100 MICROINCH) MINIMUM SELECT MATTE TIN OVER  
1.27 MICROMETER (50 MICROINCH) MINIMUM NICKEL OVERALL.  
(30 GOLD) 0.76 MICROMETER (30 MICROINCH) MINIMUM SELECT GOLD AND  
2.54 MICROMETER (100 MICROINCH) MINIMUM SELECT MATTE TIN OVER  
1.27 MICROMETER (50 MICROINCH) MINIMUM NICKEL OVERALL.
  3. PRODUCT SPECIFICATION: PS-76823-100
  4. PACKAGING REEL PER PK-76823-001.  
LOOSE PER PK-76823-002
  5. TERMINAL FOR USE WITH 170001 & 171692 SERIES RECEPTACLES.
  6. APPLICATION SPECIFICATION: AS-76823-100
  7. PART CONFORMS TO CLASS "B" REQUIREMENTS OF COSMETIC SPECIFICATION PS-45499-002.

SYMBOLS	THIS DRAWING CONTAINS INFORMATION THAT IS PROPRIETARY TO MOLEX ELECTRONIC TECHNOLOGIES, LLC AND SHOULD NOT BE USED WITHOUT WRITTEN PERMISSION		CURRENT REV DESC:		<b>molex</b>
	DIMENSION UNITS	SCALE			
▽ = 0	mm	5:1			FEMALE CRIMP TERMINAL MEGA-FIT
▽ = 0	GENERAL TOLERANCES (UNLESS SPECIFIED)				PRODUCT CUSTOMER DRAWING
▽ = 0	ANGULAR TOL ± 0.5°				
▽ = 0	4 PLACES ±		EC NO: 601400	2018/07/13	DOCUMENT NUMBER <b>SD-76823-0100</b>
▽ = 0	3 PLACES ±		DRWN: SCHEN76	2018/07/13	
▽ = 0	2 PLACES ± 0.25		CHK'D: AYIN	2018/07/13	DOC TYPE PSD
▽ = 0	1 PLACE ± 0.36		APPR: AYIN	2018/07/13	DOC PART 001
▽ = 0	0 PLACES ±		INITIAL REVISION:		REVISION C3
□ = 0	DRAFT WHERE APPLICABLE MUST REMAIN WITHIN DIMENSIONS		DRWN: GES	2015/05/18	MATERIAL NUMBER 76823
▽ = 0			APPR: FSMITH	2015/06/15	
			THIRD ANGLE PROJECTION	DRAWING A3-SIZE	SERIES 76823
			CUSTOMER GENERAL MARKET		SHEET NUMBER 1 OF 1