

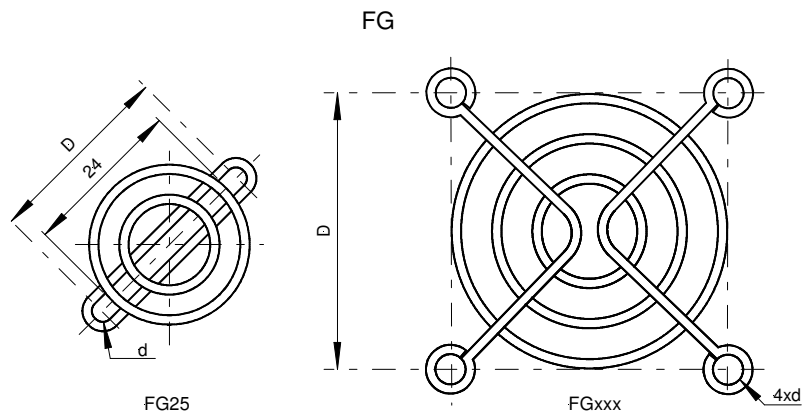
FGxx, FGx, FGBxx

METAL FAN GUARD



DESCRIPTION

Finger Guards for standardized fan sizes 25x25mm up to 172x150mm. Material: steel wire chromium plated. Stainless steel, plastic coating and customized shapes on request.



Art. NO.	Type (center front open)	Fan-size [mm]	Distance and diameter of bores D / d [mm]	Hight [mm]	No. of rings	Packing quantity [Pcs.]
912510000	FG25 Fan guard	25x25	28.2 / 3.3	3.0	2	100
913010000	FG30 Fan guard	30x30	24 / 3.2	4.8	2	100
914010000	FG40 Fan guard	40x40	32 / 4.0	4.8	2	100
915010000	FG50 Fan guard	50x50	42 / 4.0	4.8	3	100
915010001	FG50-40 Fan guard	50x50	40 / 4.0	4.8	3	100
916010000	FG60 Fan guard	60x60	50 / 4.6	4.4	4	100
918010000	FG80 Fan guard	80x80	71.5 / 4.9	5.5	5	100
919210000	FG92 Fan guard	92x92	82.5 / 4.9	5.5	6	100
911210000	FG120 Fan guard	120x120	105 / 4.9	5.5	8	100
912810000	FG127N Fan guard	127x127	113.3 / 4.6	6.0	8	100
915110000	FG150 Fan guard	172/150	162 / 4.8	6.5	9/10	100
917210000	FG172 Fan guard	Ø172	162 / 4.8	6.5	10	100

Delivery time on request

Technical changes without notice • 04/15

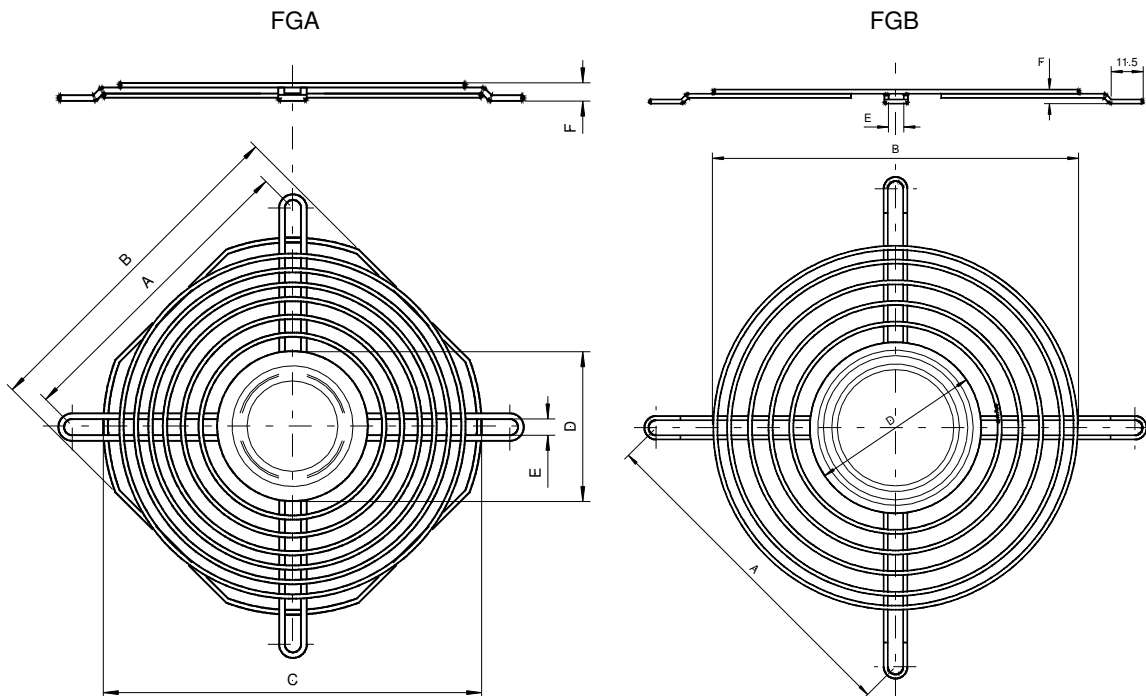
FGxx, FGaxx, FGBxx

METAL FAN GUARD



DESCRIPTION

Fan guard with middle cover standardized fan sizes 80x80mm up to 120x120mm. Material: steel wire chromium plated. Stainless steel, plastic coating and customized shapes on request.



Art. No.	Type (center front covered)	Fan-size [mm]	Dimension A-B-C-D-E [mm]	Packing quantity [Pcs.]
918010050	FGA80 Fan guard	80x80	71.5-79.0-86.2-40.0-4.7	100
919210050	FGA92 Fan guard	92x92	82.5-91.0-100.0-40.0-4.7	100
911210050	FGA120 Fan guard	120x120	104.8-118.0-127.0-51.5-4.7	100
911210051	FGB120 Fan guard	120x120	105.5-115.0-X-51.5-5.0	100
911210052	FGB127 Fan guard	127x127	114.5-120.1-X-51.5-6.0	100
911310050	FGB135 Fan guard	135x135	122.0-132.0-X-62.0-5.0	100

Delivery time on request

Technical changes without notice • 04/15