

5-160432-4 ✓ ACTIVE

FASTON | FASTON 250

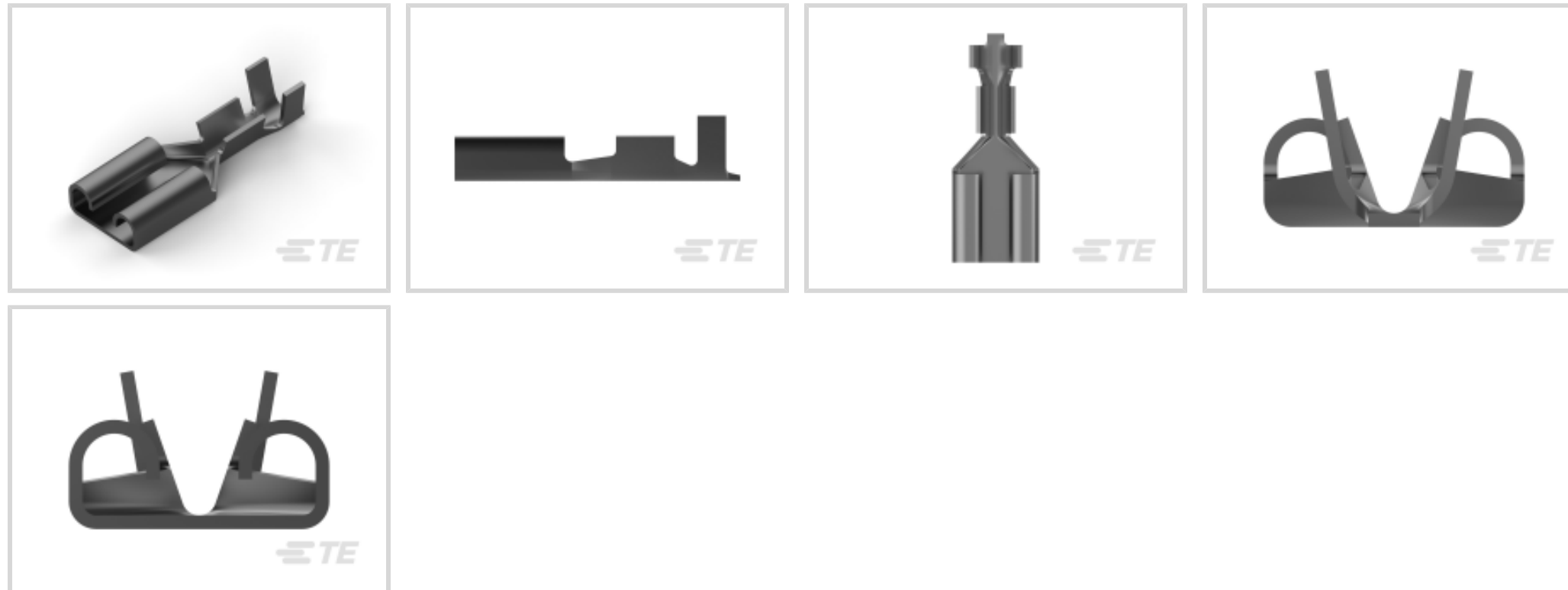
TE Internal #: 5-160432-4

FASTON 250, Quick Disconnects, Receptacle, 20 – 15 AWG, .51 – 1.65 mm², Mating Tab Width 6.35 mm [.25 in], Mating Tab Thickness .81 mm [.032 in]

[View on TE.com >](#)



Terminals & Splices > Quick Disconnects



Terminal & Splice Type: **Receptacle**

Wire Size: .51 – 1.65 mm²

Mating Tab Width: 6.35 mm [.25 in]

Mating Tab Thickness: .81 mm [.032 in]

Features

Product Type Features

Wire Stop	No
Wire/Cable Type	Regular Wire
Terminates To	Wire & Cable
Insertion Force	Normal
Sealable	No
Insulated	No

Configuration Features

Connection Capacity	Single
---------------------	--------

Body Features

Fully Insulated	No
Plating Material	Tin

Contact Features

Terminal Type	Receptacle
Terminal & Splice Type	Receptacle



Terminal Orientation	Straight
Contact Base Material	Brass
Crimp Type	F-Crimp
Barrel Type	Open

Mechanical Attachment

Mating Retention Type	Dimple
Extraction Force	80 Newton
Wire Insulation Support	With

Dimensions

Accepts Wire Insulation Diameter Range	2.3 – 3.3 mm [.09 – .13 in]
Overall Length	19 mm [.748 in]
Receptacle Terminal Stock Thickness	.41 mm [.016 in]
Wire Size	.51 – 1.65 mm ²
Mating Tab Width	6.35 mm [.25 in]
Mating Tab Thickness	.81 mm [.032 in]

Usage Conditions

Operating Temperature Range	-40 – 110 °C [-40 – 230 °F]
-----------------------------	-----------------------------

Industry Standards

UL Rating	Listed
CSA Certified	Yes

Packaging Features

Packaging Quantity	7000
Packaging Method	Strip/Reel

Other

Line	Premier
Comment	Versions according to DIN 46247, Part 3

Product Compliance

[For compliance documentation, visit the product page on TE.com>](#)

EU RoHS Directive 2011/65/EU	Compliant
EU ELV Directive 2000/53/EC	Compliant
China RoHS 2 Directive MIIT Order No 32, 2016	No Restricted Materials Above Threshold



EU REACH Regulation (EC) No. 1907/2006

Current ECHA Candidate List: JUL 2019 (201)
 Candidate List Declared Against: JUL 2019 (201)
 Does not contain REACH SVHC

EU REACH Regulation (EC) No. 1907/2006

Current ECHA Candidate List: JUL 2019 (201)
 Candidate List Declared Against: JUL 2019 (201)

Halogen Content

Low Halogen - Br, Cl, F, I < 900 ppm per homogenous material. Also BFR/CFR/PVC Free

Solder Process Capability

Not applicable for solder process capability

Product Compliance Disclaimer

This information is provided based on reasonable inquiry of our suppliers and represents our current actual knowledge based on the information they provided. This information is subject to change. The part numbers that TE has identified as EU RoHS compliant have a maximum concentration of 0.1% by weight in homogenous materials for lead, hexavalent chromium, mercury, PBB, PBDE, DBP, BBP, DEHP, DIBP, and 0.01% for cadmium, or qualify for an exemption to these limits as defined in the Annexes of Directive 2011/65/EU (RoHS2). Finished electrical and electronic equipment products will be CE marked as required by Directive 2011/65/EU. Components may not be CE marked. Additionally, the part numbers that TE has identified as EU ELV compliant have a maximum concentration of 0.1% by weight in homogenous materials for lead, hexavalent chromium, and mercury, and 0.01% for cadmium, or qualify for an exemption to these limits as defined in the Annexes of Directive 2000/53/EC (ELV). Regarding the REACH Regulations, TE's information on SVHC in articles for this part number is still based on the European Chemical Agency (ECHA) 'Guidance on requirements for substances in articles' (Version: 2, April 2011), applying the 0.1% weight on weight concentration threshold at the finished product level. TE is aware of the European Court of Justice ruling of September 10th, 2015 also known as O5A (Once An Article Always An Article) stating that, in case of 'complex object', the threshold for a SVHC must be applied to both the product as a whole and simultaneously to each of the articles forming part of its composition. TE has evaluated this ruling based on the new ECHA "Guidance on requirements for substances in articles" (June 2017, version 4.0) and will be updating its statements accordingly.

Compatible Parts



TE Model / Part # 2-2150082-1
[OCEAN_2.0_APPLICATOR-E-090F130F](#)



TE Model / Part # 2-2150082-2
[OCEAN_2.0_APPLICATOR-E-090F130FA](#)



TE Model / Part # 2150082-1
[OCEAN_2.0_APPLICATOR-E-090F130F](#)



TE Model / Part # 2150082-2
[OCEAN_2.0_APPLICATOR-E-090F130FA](#)



TE Model / Part # 7-2150082-7
 OCEAN_2.

0_SPARE_PART_KIT-090F130F

Also in the Series | **FASTON 250**



Compression Connectors (4)



Crimp Terminal Housings (133)



Magnet Wire Terminals(1)



PCB Terminals(140)



Quick Disconnects(463)

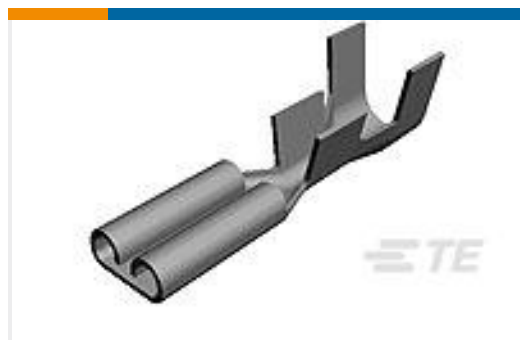


Splices(4)

Customers Also Bought



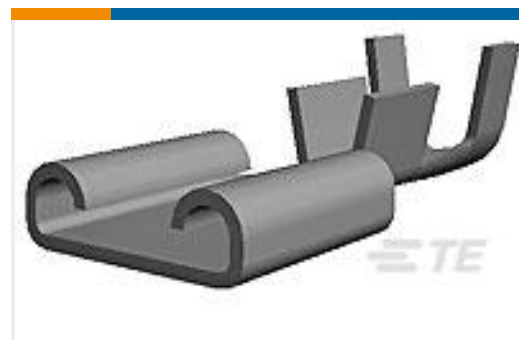
TE Model / Part #926882-3
 UNIV.M-N-L.SOCKET



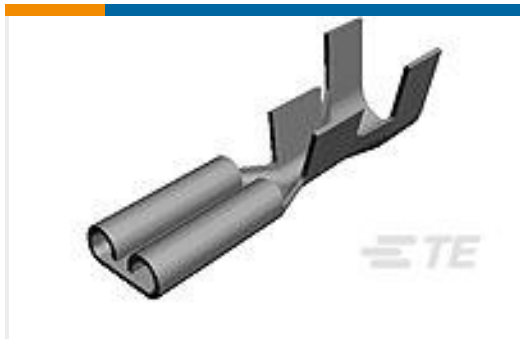
TE Model / Part #5-160433-6
 FASTON 187 REC 0.5-1.5
 MM2 0.32 TPBR



TE Model / Part #926887-1
 UNIV.M-N-L.PIN



TE Model / Part #2-160256-2
 FASTON 250 REC 1.0-2.5
 MM2 0.40X63.50TPBR



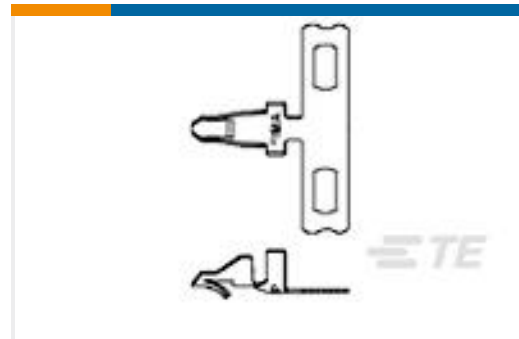
TE Model / Part #5-160430-7
 FASTON 187 REC 0.5-1.5
 MM2 0.32 TPBR



TE Model / Part #926882-1
 UNIV.M-N-L.SOCKET



TE Model / Part #154719
 PL 250 REC HSG 1P
 NYLON BLACK



TE Model / Part #350566-7
 MINI AMP-IN 22-18 AWG
 POST TIN PLTD



Documents

Product Drawings

[FASTON 250 15 0.5-1.5MM TPBR](#)

English

CAD Files

Customer View Model

[ENG_CVM_CVM_5-160432-4_AV.2d_dxf.zip](#)

English

[3D PDF](#)

3D

Customer View Model

[ENG_CVM_CVM_5-160432-4_AV.3d_igs.zip](#)

English

Customer View Model

[ENG_CVM_CVM_5-160432-4_AV.3d_stp.zip](#)

English

By downloading the CAD file I accept and agree to the [Terms and Conditions](#) of use.

Datasheets & Catalog Pages

[1654742_HOUSEHOLD_APPLIANCES_RAST5](#)

English

Product Specifications

[Product Specification](#)

FASTON conn. terminal, rec. ctc. 2,8-4,8-6,0-6,3-9,6 mm.

Product Environmental Compliance

[MD_5-160432-4_112520182252_dmtec](#)

English

[MD_5-160432-4_112520182252_dmtec](#)

English

Agency Approvals

[UL Report](#)

English

5-160432-4

FASTON 250, Quick Disconnects, Receptacle, 20 – 15 AWG, .51 – 1.65 mm², Mating
Tab Width 6.35 mm [.25 in], Mating Tab Thickness .81 mm [.032 in]

