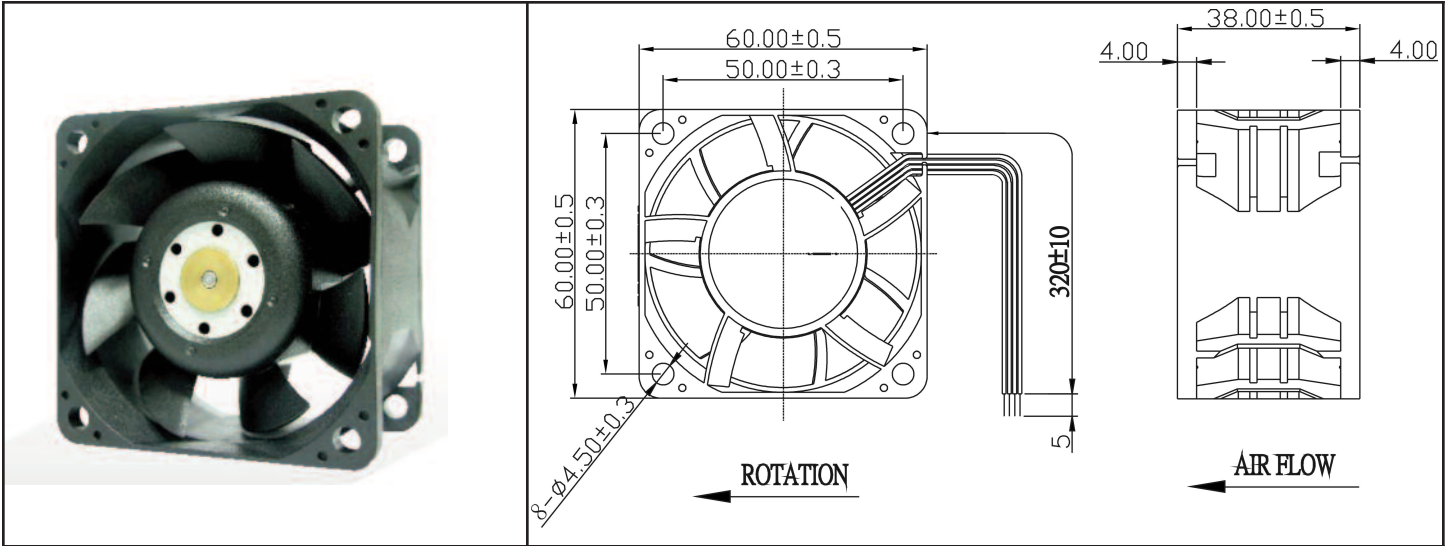


OD6038 XC Series



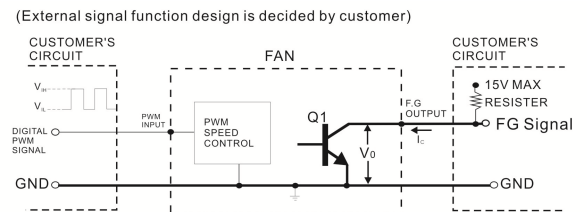
DC Fan 12V

60x38mm (2.36"x 1.5")



Frame & Impeller	PBT, UL94V-O plastic	Tachometer - Open Collector PWM Input Weight: ~ 125 g * Connection UL1007, 24AWG, ~320mm Red (+) Black (-) White Tachometer Blue PWM	
Connection	4x Lead wires *		
Motor	Brushless DC, auto restart, polarity protected.		
Bearing System	Dual ball bearing		
Insulation Resistance	Min. 10M at 500VDC		
Dielectric Strength	1 minute at 500 VAC, max leakage < 500 MicroAmp		
Temperature Range	-20C ~ +70C		
Storage Temperature	-40C ~ +80C		
Life (L10)	70,000 hours (40C)	m1	

Part Number	OD6038-12HHBXC10A
Nominal Voltage	12V DC
Voltage Range	10.8 ~ 13.2V DC
Nominal Current	2.70 A
Rated Power	36 W
Rated Speed (RPM)	16000
Airflow (CFM)	86
Noise Level (dB)	66
Max. Static Pressure	2.95" H ₂ O



- *TRANSISTOR Q1 AT "ON" POSITION
COLLECTOR CURRENT-----I_c = 10mA MAX
SATURATION VOLTAGE-----V₀₁ = 1 V MAX
- *TRANSISTOR Q1 AT "OFF" POSITION
RELEASE VOLTAGE-----V_{0off} = 15 V MAX
- *DIGITAL PWM SPEED CONTROL POSITION
PWM INPUT VOLTAGE HIGH-----V_{in} = 5.5 V MAX
PWM INPUT VOLTAGE LOW-----V_{il} = 0.5 V MAX
- *PWM INPUT FREQUENCY-----FPWM: 18KHZ-30KHZ