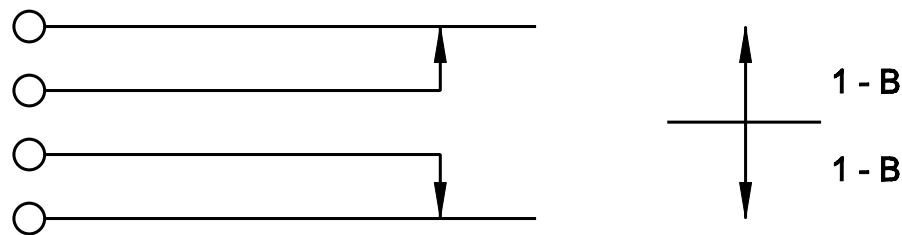
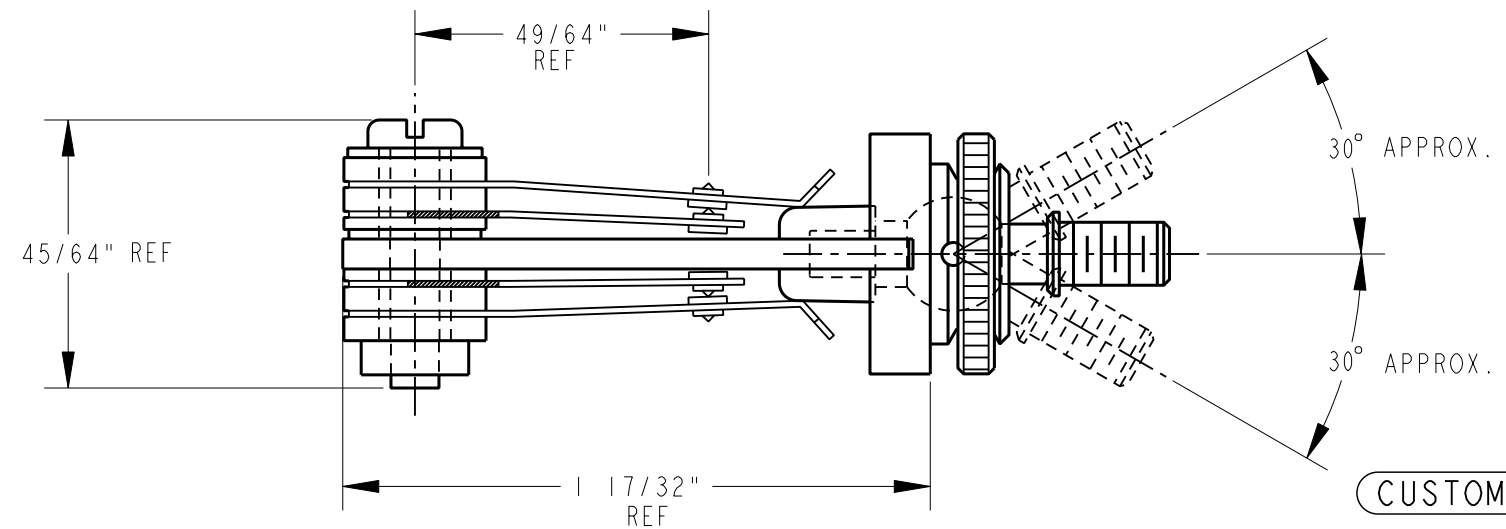
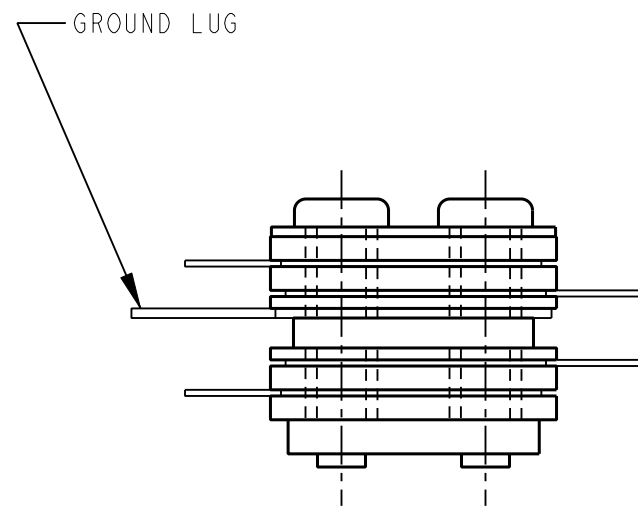
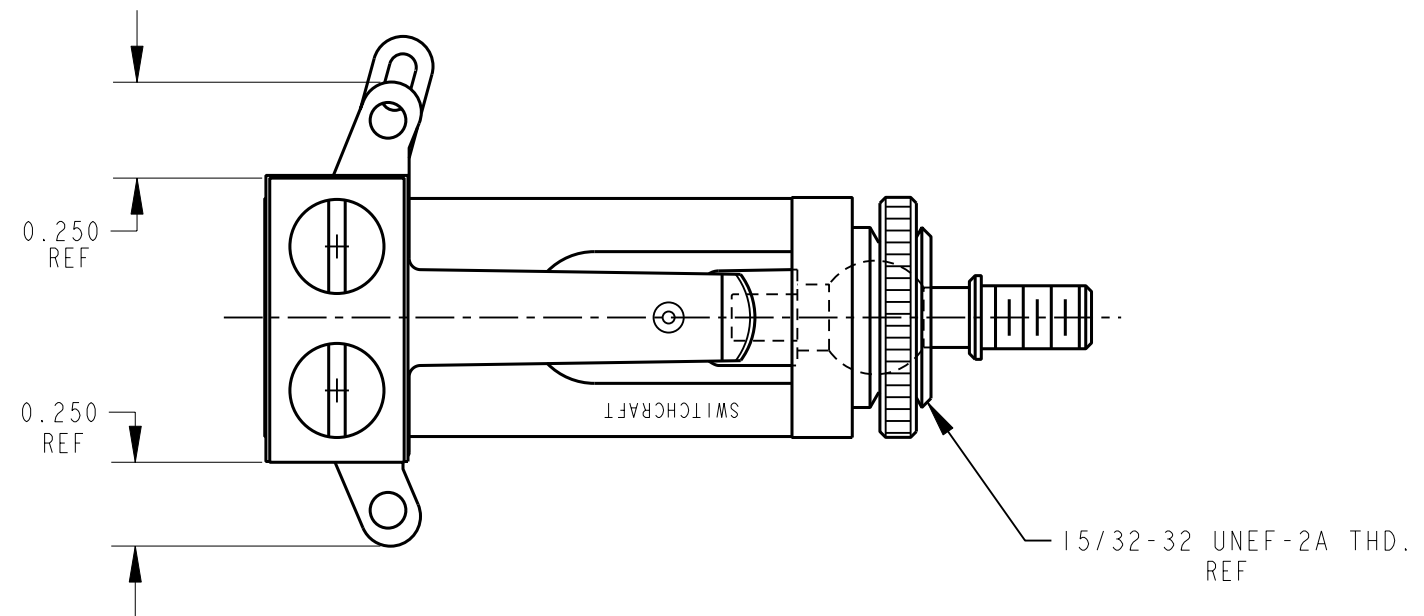


NOTES:

1. MATERIALS:

- FRAME: BRASS, NICKEL PLATED
- SPRINGS: SPRING TEMPERED, NICKEL SILVER
- BUSHING & SHAFT: BRASS, NICKEL PLATED
- INSULATION: XXXP PAPER BASE PHENOLIC
- CONTACTS: FINE SILVER
- SCREWS: STEEL, NICKEL PLATED
- SHAFT INSULATOR: NYLON
- TUBING: POLYPHENYLENE OXIDE
- MOUNTING HARDWARE: BRASS, NICKEL PLATED
SHIPPED UNASSEMBLED

2. THIS PRODUCT IS RoHS COMPLIANT.



SCHEMATIC

REV	ECO NUMBER	DATE	BY	APVD
0A	FIRST DRAWN	5-7-09	TJK	TJK
REVISIONS				

★ STAR SYMBOL DENOTES CRITICAL DIMENSION

UNLESS OTHERWISE SPECIFIED

1. ALL DIMENSIONS IN INCHES
 - TWO PLACE DECIMALS ±0.01
 - THREE PLACE DECIMALS ±0.005
 - ANGLES ±1
 - ALL DIA. CONCENTRIC WITHIN 0.005 T.I.R.

2. FEATURES ON THE SAME CENTERLINE MUST BE ALIGNED WITHIN ±0.002

3. REMOVE ALL BURRS

DO NOT SCALE DRAWING

THIS DRAWING DESCRIBES A DESIGN CONSIDERED PROPRIETARY IN NATURE, DEVELOPED AND MANUFACTURED BY SWITCHCRAFT INC. AND IS RELEASED ON A CONFIDENTIAL BASIS FOR IDENTIFICATION PURPOSES ONLY.									
SIZE		WIDTH		MULT		LBS/M		TEMPER	
FINISH SPEC No.					MATERIAL SPEC No.				
FIRST USED ON				SCALE 2:1					
DATE DRAWN	BY	CHKD	APVD	Switchcraft [®]					
07-May-09	TJK	TJK	TJK						
NAME			LEVER SWITCH			PART No.		REV	
			3 POSITION, RoHS			12010X		0A	