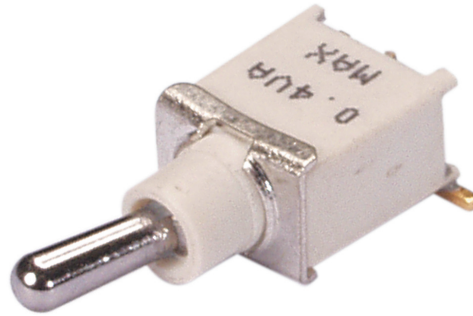


SERIES 34E Sealed Surface Mount Toggle Switches

FEATURES

- Save Space and Weight
- SPDT Circuitry
- Choice of Actuators and Terminations
- Sealed per IP67



MODELS in inches (and millimeters)

M6

SPDT

MODEL NO.	SWITCH POSITION		
WMSP1	ON	NONE	ON
WMSP2	ON	NONE	(ON)
WMSP3	ON	OFF	ON
WMSP4	(ON)	OFF	(ON)
WMSP5	ON	OFF	(ON)
TERM. COMM.	2-3	OPEN	2-1

()=MOMENTARY

SCHEMATIC

Dimensions: .148 (3.78), .320 (8.13), .410 (10.40), .200 (5.08), .100 (2.54), .020 (0.62), .240 (6.10), .162 (4.11), .100 (2.52), .030 (0.76), .300 (7.62), .140 (3.56), .150 (3.81), .290 (7.37), .040 (1.02), .080 (2.03), .080 (2.03), EPOXY SEAL, .020 (0.51)

S6

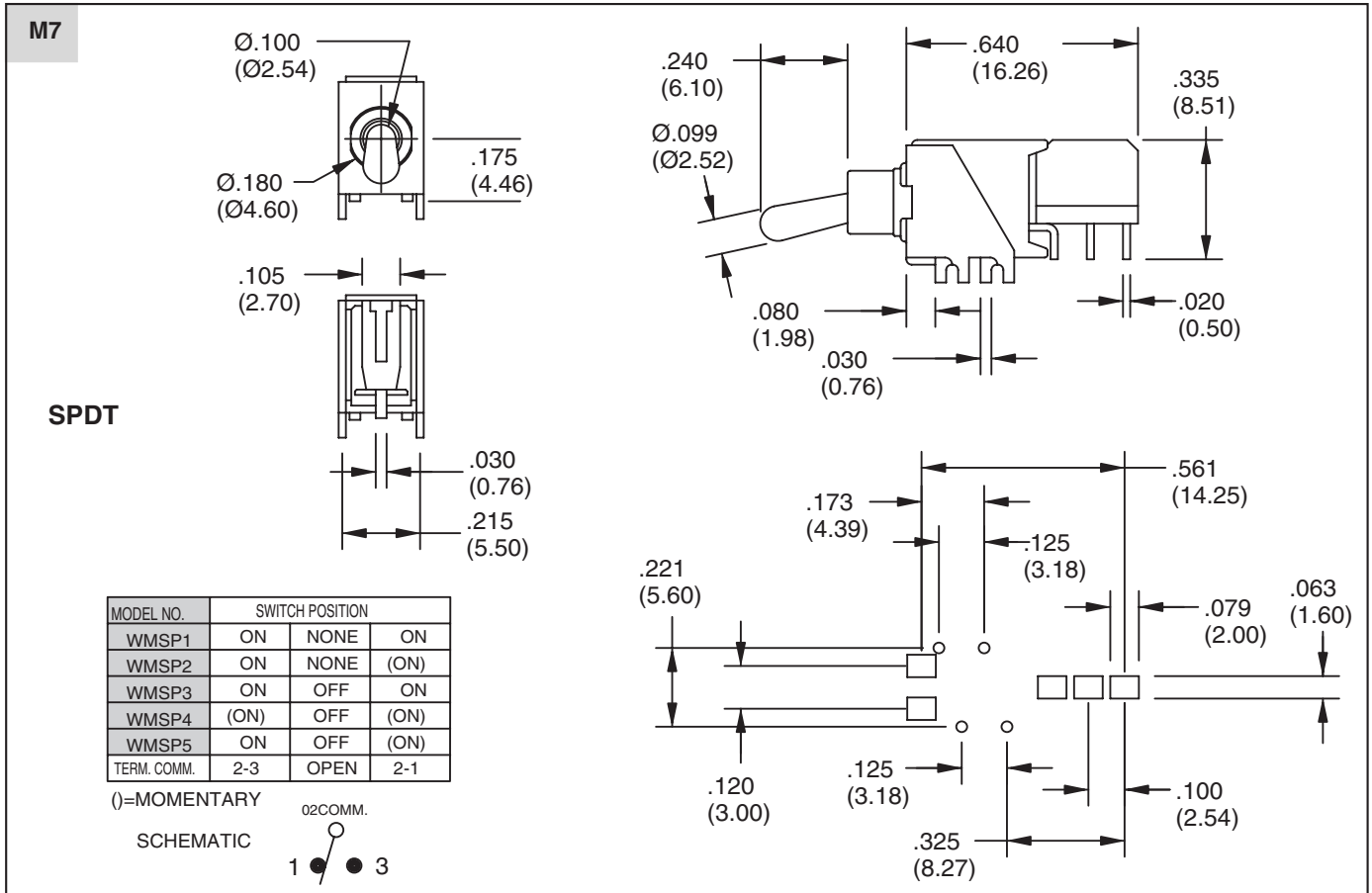
SPDT

MODEL NO.	SWITCH POSITION		
WMSP1	ON	NONE	ON
WMSP2	ON	NONE	(ON)
WMSP3	ON	OFF	ON
WMSP4	(ON)	OFF	(ON)
WMSP5	ON	OFF	(ON)
TERM. COMM.	2-3	OPEN	2-1

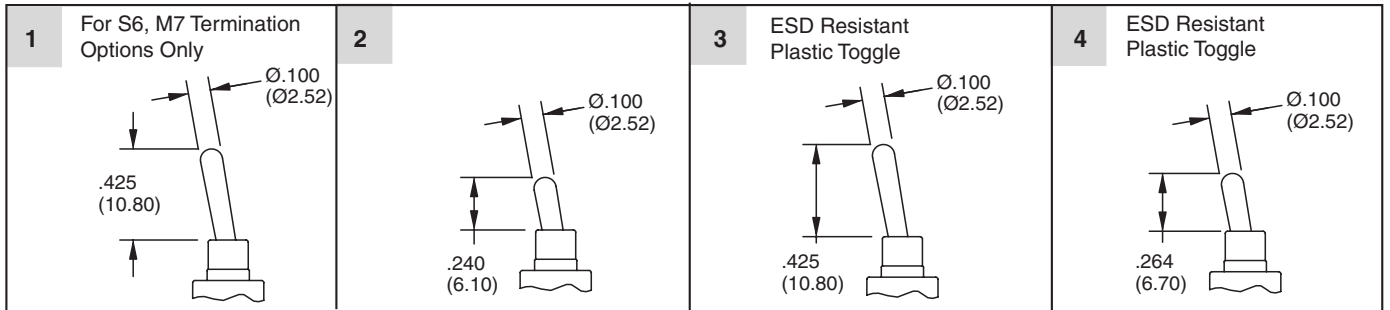
()=MOMENTARY

SCHEMATIC

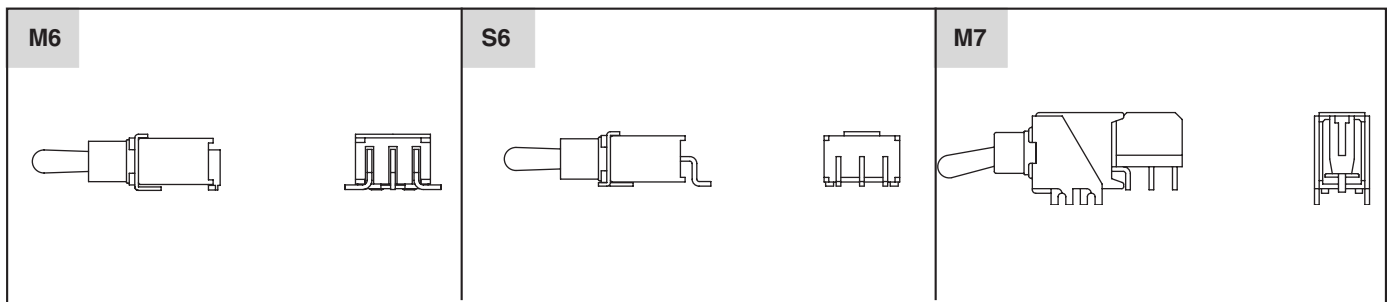
Dimensions: .315 (8.00), Ø.179 (Ø4.55), .323 (8.20), .276 (7.00), .100 (2.54), .240 (6.10), .162 (4.11), .100 (2.52), .071 (1.80), .280 (7.10), .366 (9.30), .059 (1.50), .100 (2.54), .079 (2.00), .032 (0.80), EPOXY SEAL



ACTUATOR OPTIONS in inches (and millimeters)

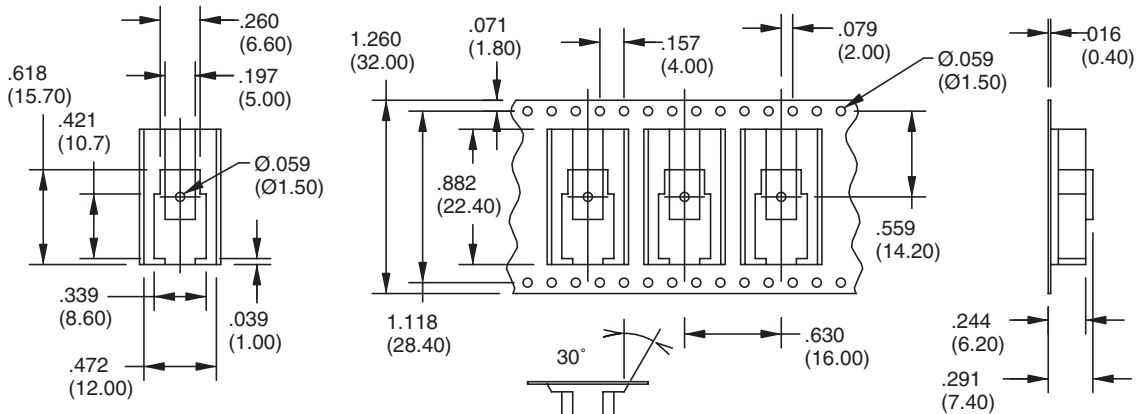


TERMINATION OPTIONS

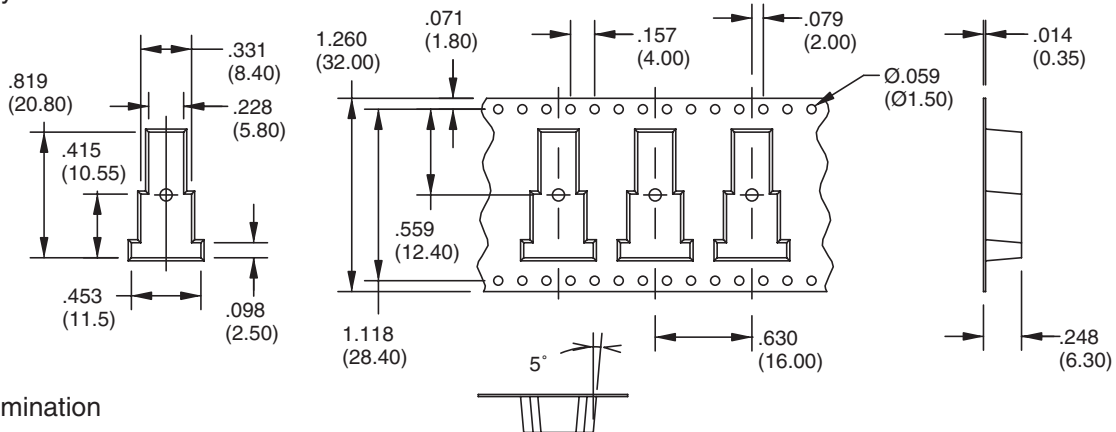


TAPE AND REEL PACKAGING in inches (and millimeters)

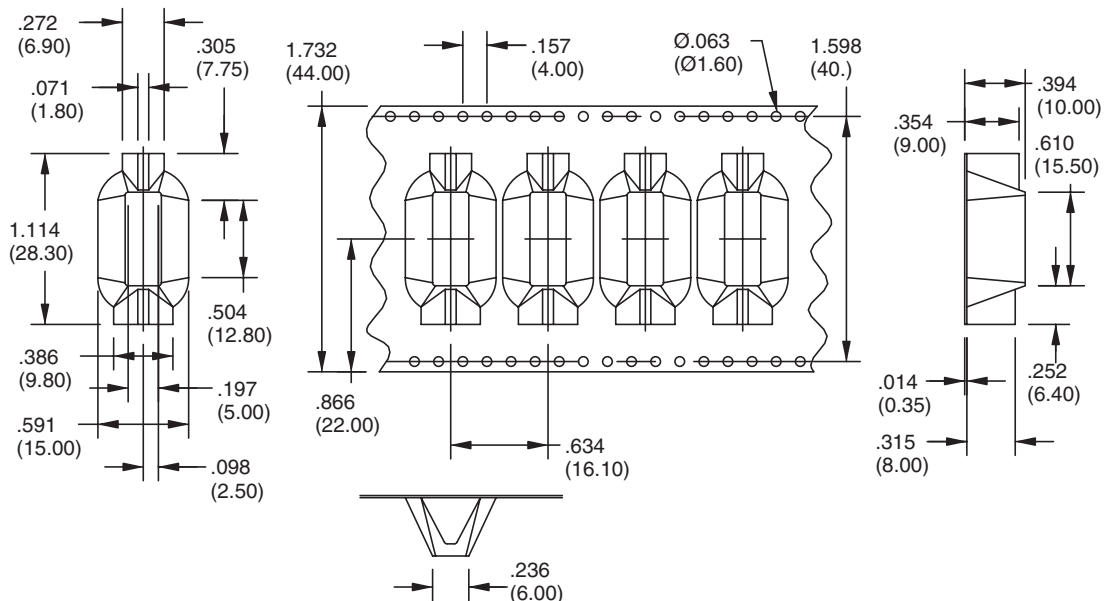
For M6 Termination
Option Only



For S6 Termination
Option Only



For M7 Termination
Option Only



SPECIFICATIONS

RATINGS

Contact Rating: 0.4 VA max. @ 20V max. (AC or DC)

Mechanical and Electrical Life: 30,000 make-and-break cycles at full load

Contact Resistance: 20 milliohms max. typ. initial @ 2-4 VDC, 100 mA

Insulation Resistance: 1,000 megaohms minimum

Dielectric Strength: 1,500 V RMS @ sea level

Operating Temperature: -30°C to 85°C

MATERIALS

Case and Bushings: Glass-filled nylon 4/6, flame retardant, heat stabilized (UL94V-0)

Actuator: Brass, chrome plated

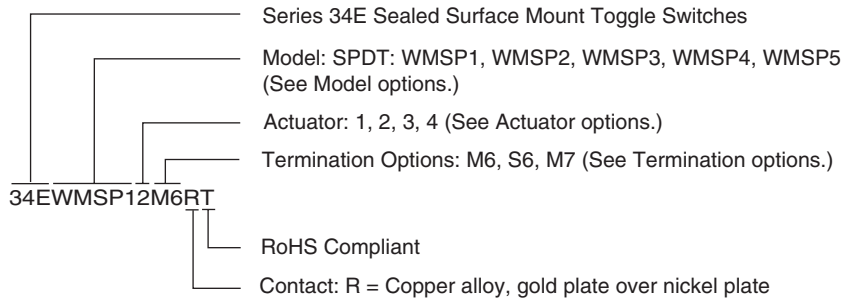
Contacts: Copper alloy, gold plate over nickel plate

Terminals: Copper alloy, tin plate over nickel plate

Terminal Seal: Epoxy

Tape and Reel: 500 pcs/per reel

ORDERING INFORMATION



Available from your local Grayhill Component Distributor.
For prices and discounts, contact a local Sales Office, an authorized local Distributor or Grayhill.