

Heavy Duty Pressure Transducers

MLH Series, 6 bar to 550 bar | 50 psi to 8000 psi

008118
Issue 8

Datasheet



DESCRIPTION

The MLH Series Heavy Duty Pressure Transducers combine Application Specific Integrated Circuit (ASIC) technology with a media-isolated, metal diaphragm design. This digitally compensated transducer offers value and performance, making it a suitable pressure sensing solution for demanding applications. Fully temperature compensated, calibrated and amplified, the MLH Series is available in pressure ranges of 6 bar to 550 bar | 50 psi to 8,000 psi. The MLH Series provides $\pm 0.25\%$ full scale accuracy Best Fit Straight Line (BFSL) and a TEB (Total Error Band) as low as 2% over a temperature range of $-40\text{ }^{\circ}\text{C}$ to $125\text{ }^{\circ}\text{C}$ [$-40\text{ }^{\circ}\text{F}$ to $257\text{ }^{\circ}\text{F}$]. Industry standard electrical connectors and pressure ports are offered for enhanced reliability and user flexibility.

The MLH Series has six standard output options:

- A. 0.5 Vdc to 4.5 Vdc ratiometric from 5 Vdc excitation
- B. 4 mA to 20 mA
- C. 1 Vdc to 6 Vdc regulated
- D. 0.25 Vdc to 10.25 Vdc regulated
- E. 0.5 Vdc to 4.5 Vdc regulated
- G. 1 Vdc to 5 Vdc regulated

FEATURES

- All metal wetted parts allow for potential use in wide variety of fluid applications
- No internal elastomeric seals mean no O-ring compatibility issues
- Amplified outputs reduce the need to purchase external amplifiers
- Input reverse voltage protection guards against mis-wiring
- Less than 2 ms response time provides more accurate, high speed measurement
- Rated IP65 or better for protection from most harsh environments

POTENTIAL APPLICATIONS

- Industrial: Compressors, cylinder tank pressure, HVAC, hydraulics, oil and gas, refrigeration, water distribution
- Transportation: Multiple applications including braking and alternative fuels
- Medical: Anesthesia delivery machines, blood analyzers, chemistry analyzers, gas chromatography, oxygen concentrators, and ventilators

PORTFOLIO

The MLH Series joins the PX3 Series, PX2 Series, SPT Series, 13 mm Series and 19 mm Series heavy duty pressure transducers.

Heavy Duty Pressure Transducers

MLH Series, 6 bar to 550 bar | 50 psi to 8000 psi

Table 1. Pressure Range Specifications¹ (At 25 °C [77 °F] and at rated excitation unless otherwise specified.)

bar			psi		
Operating Pressure	Proof Pressure	Burst Pressure	Operating Pressure	Proof Pressure	Burst Pressure
6	18	60	50	150	500
10	30	100	100	300	1000
16	48	160	150	450	1500
25	75	250	200	600	2000
40	80	400	250	750	2500
60	120	600	300	900	3000
100	200	1000	500	1500	5000
160	320	1600	1000	2000	10000
250	500	2068	2000	4000	20000
350	700	2068	3000	6000	30000
500	750	2068	5000	7500	30000
550	825	2068	8000	12000	30000

¹ Comparable metric units follow same proof and burst specifications.

Table 2. Electrical Specifications

Characteristic	Output Signal					
	Ratiometric (A)	Current (B)	Regulated (C)	Regulated (D)	Regulated (E)	Regulated (G)
Zero output	0.5 Vdc	4 mA	1 Vdc	0.25 Vdc	0.5 Vdc	1 Vdc
Full scale span (FSS)	4 Vdc (0.5 Vdc to 4.5 Vdc)	16 mA (4 mA to 20 mA)	5 Vdc (1 Vdc to 6 Vdc)	10 Vdc (0.25 Vdc to 10.25 Vdc)	4 Vdc (0.5 Vdc to 4.5 Vdc)	4 Vdc (1 Vdc to 5 Vdc)
Excitation	5 Vdc (6 Vdc max.) ¹	9.5 Vdc to 30 Vdc ²	8 Vdc to 30 Vdc ²	14 Vdc to 30 Vdc ²	7 Vdc to 30 Vdc ²	8 Vdc to 30 Vdc ²
Supply current	4 mA typ., 8 mA max.	N/A	5 mA typ., 17 mA max.	5 mA typ., 17 mA max.	5 mA typ., 17 mA max.	5 mA typ., 17 mA max.
Source (nominal)	1 mA	N/A	1 mA	1 mA	1 mA	1 mA
Sink (nominal)	1 mA at zero output	N/A	1 mA at zero output	1 mA at zero output	1 mA at zero output	1 mA at zero output
Supply rejection ratio	90 dB	90 dB	90 dB	90 dB	90 dB	90 dB
Output impedance	25 Ohm max.	N/A	25 Ohm max.	25 Ohm max.	25 Ohm max.	25 Ohm max.

¹ Maintains ratiometricity at 5 ±0.25 Vdc excitation. Product can tolerate 6 Vdc excitation without damage.

² See Figures 1 and 2 for more information regarding maximum excitation voltage vs. operating temperature.

Heavy Duty Pressure Transducers

MLH Series, 6 bar to 550 bar | 50 psi to 8000 psi

Table 3. Environmental and Mechanical Specifications

Characteristic	Parameter
Material in contact with media: port diaphragm	stainless steel 304L Haynes 214 alloy
Housing material	black plastic – Amodel AS-4133 HS – PPA
Weight (typical for Metri-Pack 150 and 1/8 NPT pressure port types)	57.0 g [2.0 oz]
Shock	100 g peak [11 ms]
Vibration	MIL-STD-810C, Figure 514.2-5, Curve AK, Table 514.2-V, Random Vibration Test (overall g rms = 20.7 min.)
Compensated and operating temperature range: 0.5 Vdc to 4.5 Vdc ratiometric output all regulated and 4 mA to 20 mA outputs	-40 °C to 125 °C [-40 °F to 257 °F] -40 °C to 125 °C [-40 °F to 257 °F] (See Figures 1 and 2 for operating area details.)
Storage temperature range	-40 °C to 125 °C [-40 °F to 257 °F]
Approvals	RoHS, CE, UL Component Recognition for USA and Canada: File No. E258956

Table 4. Performance Specifications (At 25 °C [77 °F] and under unless otherwise noted.)

Characteristic	Parameter
Response time	<2 ms
Accuracy ¹ : ≥100 psi ≤100 psi	±0.25 %FSS ±0.50 %FSS
Total Error Band ² : Gage: <300 psig ≥300 psig Sealed gage: ≥300 psis without L, M, P electrical connector types: 100 psis to 299 psis (-40 °C to 85 °C [-40 °F to 185 °F]) 100 psis to 299 psis (>85 °C to 125 °C [>185 °F to 257 °F]) ≥300 psis (-40 °C to 125 °C [-40 °F to 257 °F]) with L, M, P electrical connector types: 100 psis to 299 psis (-40 °C to 65 °C [-40 °F to 149 °F]) 100 psis to 299 psis (>65 °C to 125 °C [>149 °F to 257 °F]) ≥300 psis (-40 °C to 65 °C [-40 °F to 149 °F]) ≥300 psis (>65 °C to 125 °C [>149 °F to 257 °F])	±3 %FSS ±2 %FSS ±2 %FSS ±3 %FSS ±10 %FSS ±2 %FSS ±10 %FSS ±15 %FSS ±5 %FSS ±15 %FSS

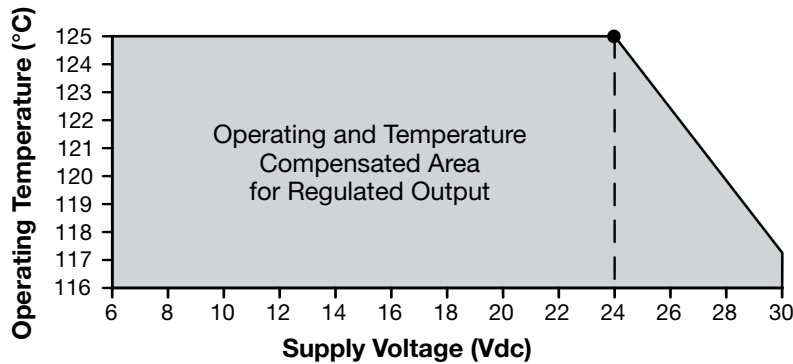
¹ Includes pressure non-linearity (BFSL), pressure hysteresis and non-repeatability. Thermal errors are not included.

² Includes zero error, span error, thermal effect on zero, thermal effect on span, thermal hysteresis, pressure-non-linearity, pressure hysteresis and non-repeatability.

Heavy Duty Pressure Transducers

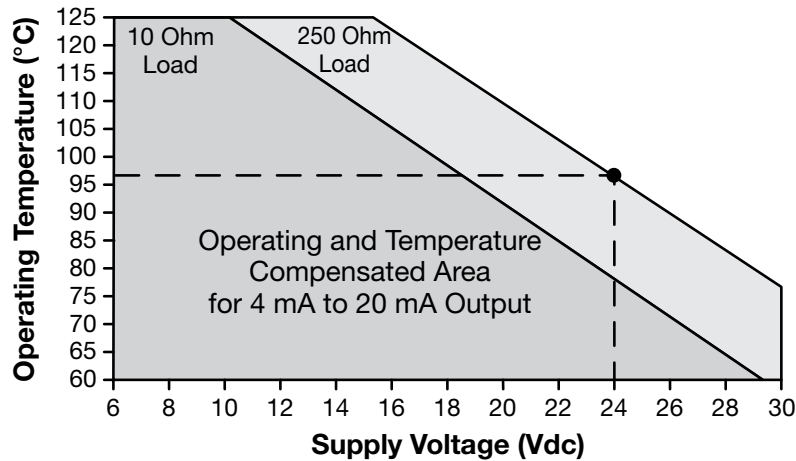
MLH Series, 6 bar to 550 bar | 50 psi to 8000 psi

Figure 1. Operating and Temperature Compensation for All Regulated Output Options



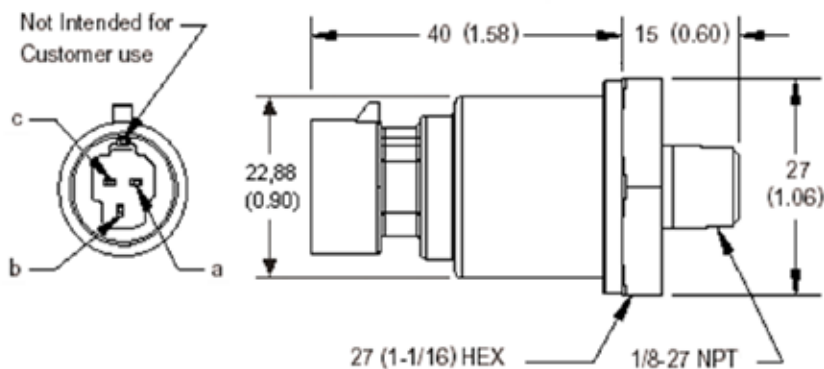
Note: Dot indicates the maximum operating temperature of 125 °C [257 °F] with a 24 V supply.

Figure 2. Operating and Temperature Compensation for 4 mA to 20 mA Output



Note: The operating area is extended with a 250 Ohm resistor. Higher loads extend the operating area. Dot indicates the maximum operating temperature when using a 24 V supply and a 250 Ohm resistor.

Figure 3. Example Mounting Dimensions (Electrical Termination “B” Shown. For reference only. mm/(in.))



Pin/Wire Colors

Pin	Voltage	Current
a	+ excitation	+ excitation
b	output	- excitation
c	common	no connection

A variety of pressure ports and electrical termination connection options are available. Refer to the Figure 4 for possible combinations. Contact your Honeywell representative for details.

Heavy Duty Pressure Transducers

MLH Series, 6 bar to 550 bar | 50 psi to 8000 psi

Figure 4. Nomenclature and Order Guide

For example, **MLH150PSB01B** defines an MLH Series Heavy Duty Pressure Transducer, 150 psi pressure range, sealed gage pressure reference, Metri-Pack 150 electrical connector type, 1/4-18 NPT pressure port type, 4 mA to 20 mA output.

MLH 150 P S B 01 B

Series¹

MLH	Heavy Duty Pressure Transducer
------------	--------------------------------

Pressure Range

bar		psi	
006	6	050	50
010	10	100	100
016	16	150	150
025	25	200	200
040	40	250	250
060	60	300	300
100	100	500	500
160	160	01K	1000
250	250	02K	2000
350	350	03K	3000
500	500	05K	5000
550	550	08K	8000

Unit

B	bar
P	psi

Pressure Reference

G	Gage
S	Sealed Gage ²

Electrical Connector Type

B	Metri-Pack 150 ³
C	Hirschmann (mates with G4W1F)
D	M12 x 1 (Brad Harrison micro)
G	DIN 43650-C, 8 mm male
H	AMP Superseal 1.5 ⁴
L	Cable (24 AWG, 1 meter)
M	Cable (24 AWG, 3 meter)
P	Flying leads (20 AWG, 6 in)
T	Deutsch DTM04-3P (integral)


Output Signal

A	0.5 Vdc to 4.5 Vdc ratiometric from 5 Vdc excitation
B	4 mA to 20 mA
C	1 Vdc to 6 Vdc regulated
D	0.25 Vdc to 10.25 Vdc regulated
E	0.5 Vdc to 4.5 Vdc regulated
G	1 Vdc to 5 Vdc

Pressure Port Type

01	1/4-18 NPT
06	1/8-27 NPT
09	7/16-20 UNF 1/4 inch 45° Flare Female Schrader (SAE J512)
11	1/2-14 NPT
13	R 1/4-19 BSPT (ISO 7-1 tapered thread)
19	R 1/8-28 BSPT (ISO 7-1 tapered thread)

Mating Connector³



¹ Not all catalog listing combinations are available. Custom products are available. Please contact Honeywell.

² Sealed gage option is only available in pressure ranges at or above 8 bar | 100 psi.

³ Metri-Pack 150 mating connectors with shielded cable and 22 AWG wire are available from Honeywell. Order part no. 3685301 for 1 m [3.2 ft] cable length and part no. 3685302 for 3 m [9.8 ft] cable length.

⁴ Available with Output Signal **A** only.

ADDITIONAL INFORMATION

The following associated literature is available on the Honeywell web site at sensing.honeywell.com:

- Product line guide
- Product range guide
- Product installation instructions

⚠ WARNING **PERSONAL INJURY**

DO NOT USE these products as safety or emergency stop devices or in any other application where failure of the product could result in personal injury.

Failure to comply with these instructions could result in death or serious injury.

⚠ WARNING **MISUSE OF DOCUMENTATION**

- The information presented in this datasheet is for reference only. Do not use this document as a product installation guide.
- Complete installation, operation, and maintenance information is provided in the instructions supplied with each product.

Failure to comply with these instructions could result in death or serious injury.

Warranty/Remedy

Honeywell warrants goods of its manufacture as being free of defective materials and faulty workmanship during the applicable warranty period. Honeywell's standard product warranty applies unless agreed to otherwise by Honeywell in writing; please refer to your order acknowledgement or consult your local sales office for specific warranty details. If warranted goods are returned to Honeywell during the period of coverage, Honeywell will repair or replace, at its option, without charge those items that Honeywell, in its sole discretion, finds defective. **The foregoing is buyer's sole remedy and is in lieu of all other warranties, expressed or implied, including those of merchantability and fitness for a particular purpose. In no event shall Honeywell be liable for consequential, special, or indirect damages.**

While Honeywell may provide application assistance personally, through our literature and the Honeywell web site, it is buyer's sole responsibility to determine the suitability of the product in the application.

Specifications may change without notice. The information we supply is believed to be accurate and reliable as of this writing. However, Honeywell assumes no responsibility for its use.

For more information

To learn more about Honeywell's sensing and switching products, call 1.800.537.6945 , visit sensing.honeywell.com, or e-mail inquiries to info.sc@honeywell.com

Honeywell Safety and Productivity Solutions

9680 Old Bailes Road
Fort Mill, SC 29707
www.honeywell.com

008118-8-EN IL50
October 2016
© 2016 Honeywell International Inc. All rights reserved.

Honeywell