

SPECIFICATIONS

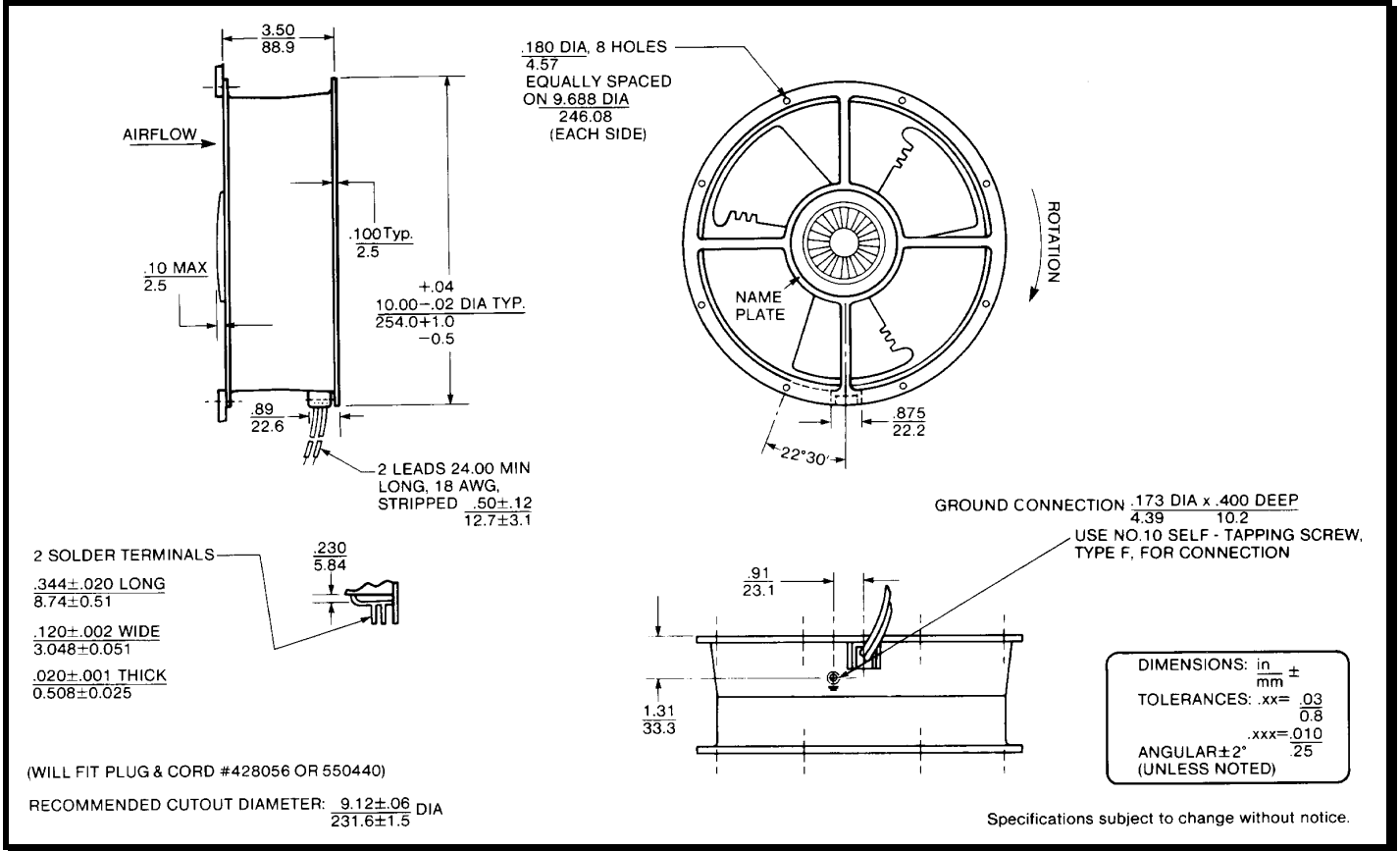
(RoHS Compliant)



Model Number: CLE3T2
Part Number: 19020191A
SPEC Number: 26013844A01

Jan 24, 2013

Mechanical Drawing:



Motor:

Nominal Voltage = 220 / 230 VAC
 Frequency = 50 / 60 Hz
 Nominal Running Current = 0.240 / 0.250 Amps
 Max. Locked Rotor Current = 0.355 amps
 Running Power = 60 Watts
 Average Speed = 1400 / 1650 RPM
 Bearings = Ball
 Air Flow = 455 / 550 CFM
 Acoustic = 45.4 / 49.2 dBA

Construction:

Venturi: Single Piece Die Cast Aluminum, Black
 Propeller: Plastic, Black, UL 94V-0

Life Expectancy:

This fan is designed for continuous duty life of 54,000 hours at 40°C.

Additional Features:

Permanent Split Capacitor Motor
 Automatic Reset Thermal Protector
 Feathered Edge Propeller
 Operating Temperature: -30°C to 60°C
 Storage Temperature: -40°C to 85°C

Agency Approvals:

UL, CE

Termination:

2 0.120" Terminals