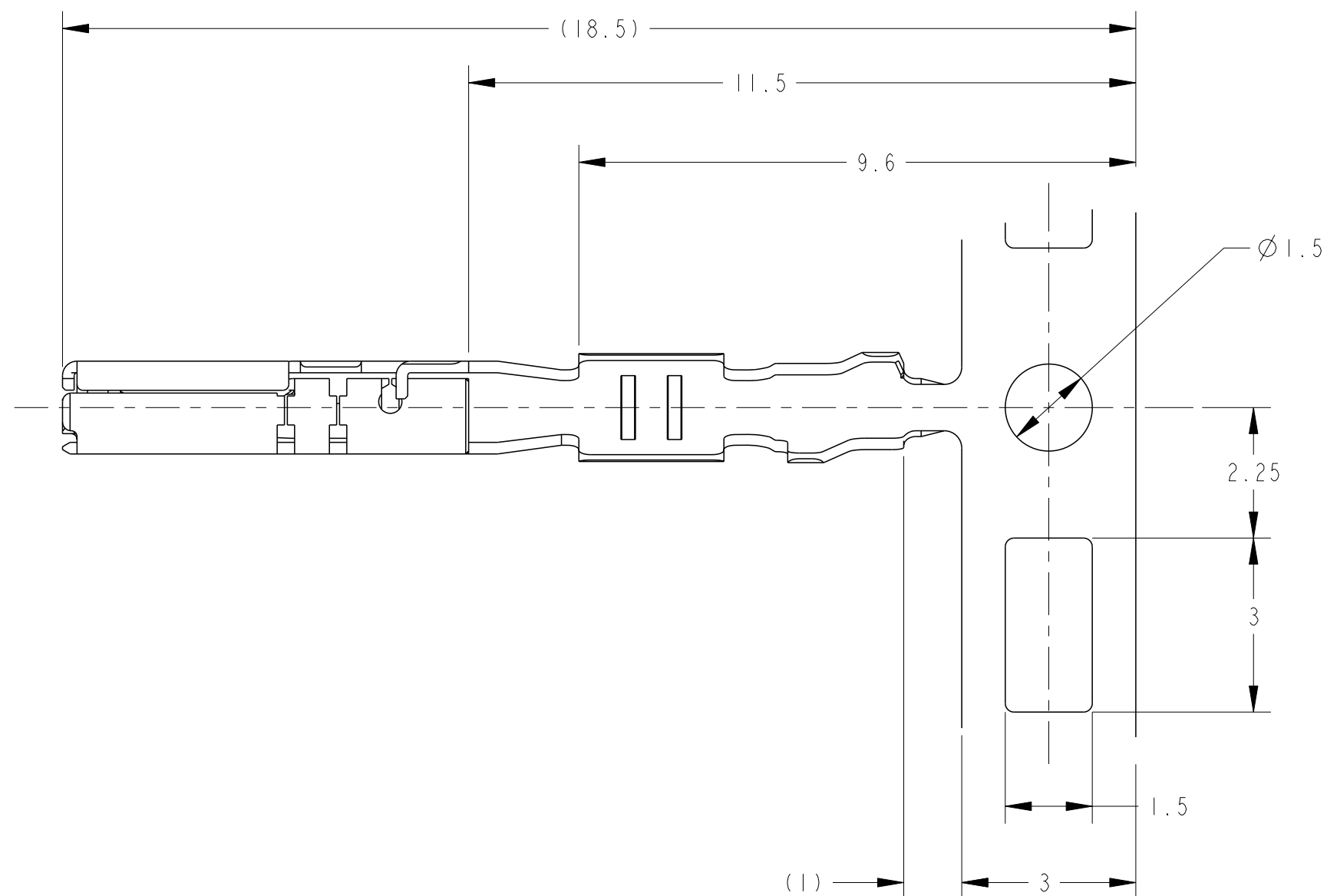
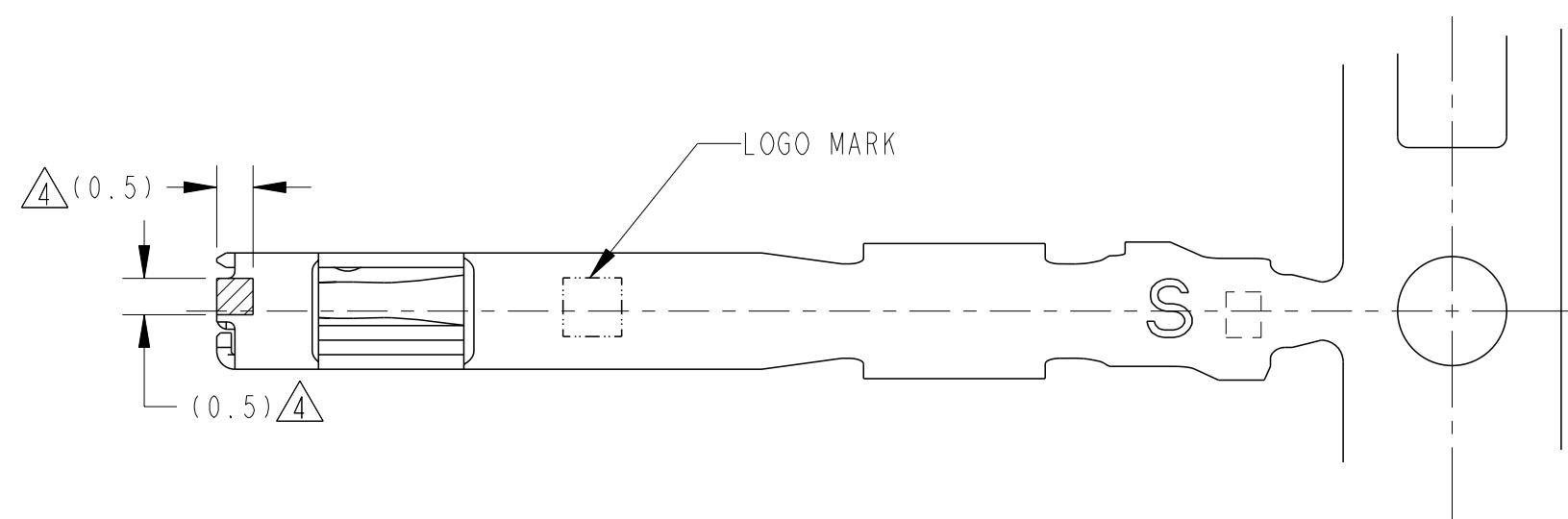
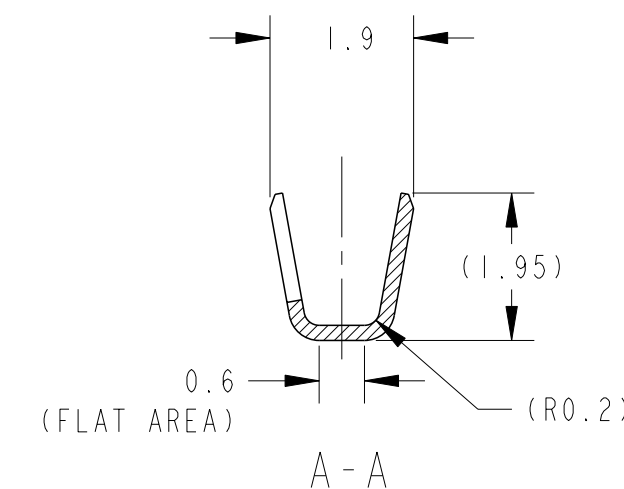
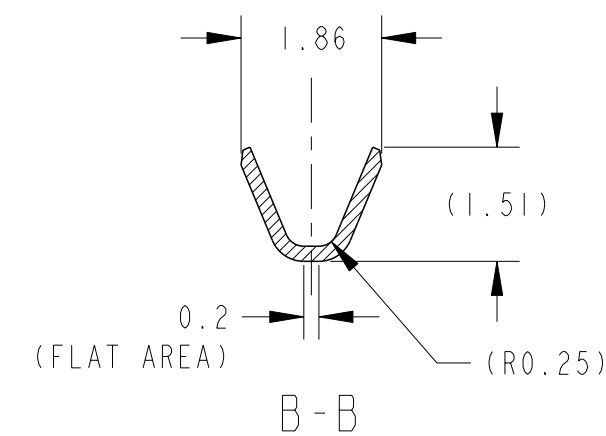
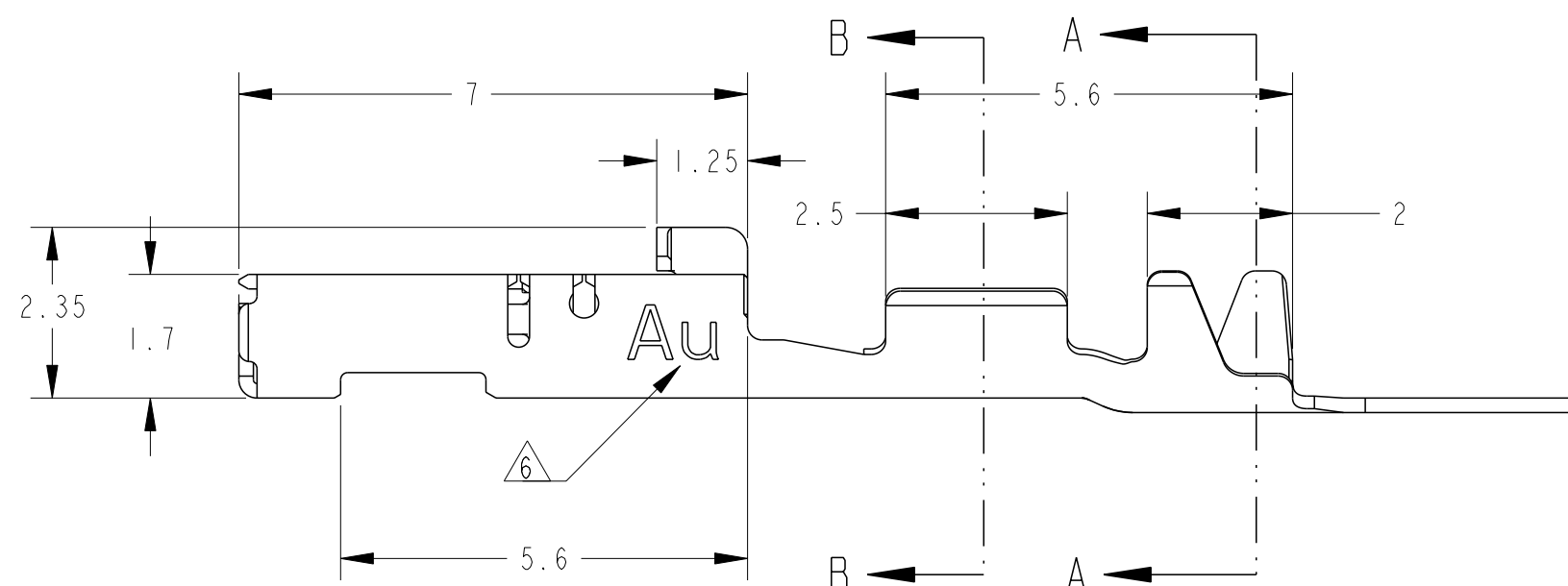
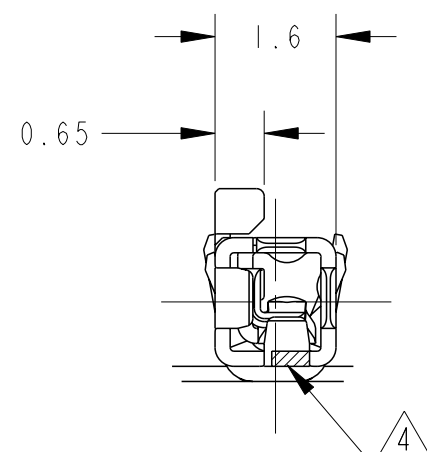


THIS DRAWING IS UNPUBLISHED. RELEASED FOR PUBLICATION 2015
 © COPYRIGHT 2015 ALL RIGHTS RESERVED.

LOC	DIST	REVISIONS					
J		P	LTR	DESCRIPTION	DATE	DWN	APVD
		O		RELEASED FJA0-0576-04	24AUG04	YM	HY
		A		REIVSED ECR-10-005857	26APR10	SF	KB
		B		REIVSED ECR-15-013494	18SEP15	KK	RK



- 1. 適用電線:
CAVS/CAVUS/CHFUS 0.22mm²
 - 2. 圧着作業については、以下の規格を参照すること
取付適用規格; 114-5329
 - 3. アプリケータ送りピッチ; 8mm
 - △ 寸法は識別用金めっき範囲を表す
 - △ 接触部: 金めっき、バレル部: すずめっき
 - △ 識別用刻印
- 1. APPLICABLE WIRE RANGE ;
CAVS/CAVUS/CHFUS 0.22mm²
 - 2. MUST BE REFERRED TO THE FOLLOWING DOCUMENTS FOR CRIMPING OPERATION
APPLICATION SPEC ; 114-5329
 - 3. APPLICATOR FEED; 8mm
 - △. GOLD PLATED AREA FOR DISCRIMINATION
 - △. CONTACT POINT; GOLD PLATING BARREL; TIN PLATING
 - △. MARKING FOR IDENTIFICATION.



△4△5△6 SELECTIVE GOLD, TIN	1674936-2
PRE-TIN	1674936-1
FINISH	PART NO.

THIS DRAWING IS A CONTROLLED DOCUMENT.		DWN Y. MITO 24AUG04	NAME	
DIMENSIONS: 単位: 桁 (mm)		CHK H. YAMAGAMI 24AUG04	0.64111 SERIES CONNECTOR RECEPTACLE CONTACT (S)	
TOLERANCES UNLESS OTHERWISE SPECIFIED:		APVD S. ISOHATA 24AUG04	SIZE A2	RESTRICTED TO
一般公差 ±0.3		PRODUCT SPEC	CAGE CODE 00779	REV B
0-PLC ±0.5		APPLICATION SPEC	DRAWING NO. C-1674936	
1-PLC ±0.13		取付適用規格	SCALE 10:1	
2-PLC ±0.013		114-5329	SHEET 1 OF 1	
3-PLC ±0.0001		WEIGHT 0.14 g		
4-PLC ±0.0001		CUSTOMER DRAWING		
ANGLES ±3°00'				
FINISH 仕上				
MATERIAL 材料 Cu Alloy		SEE TABLE		