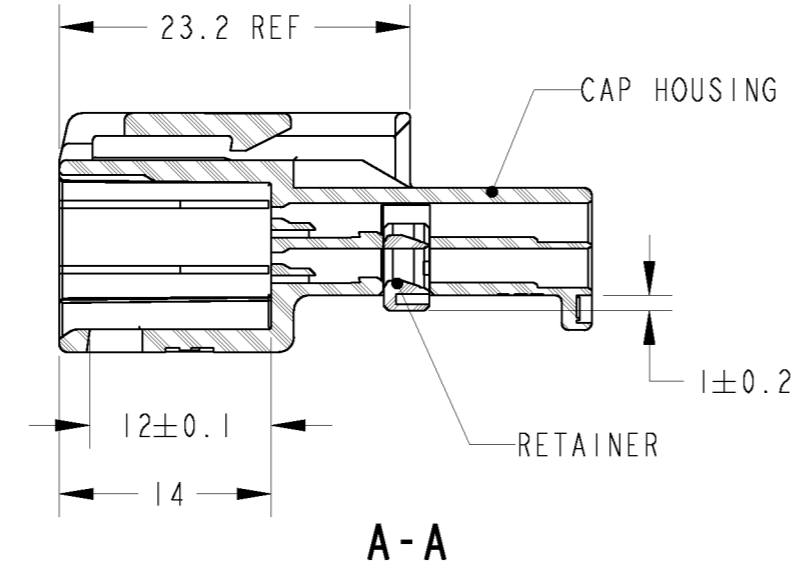
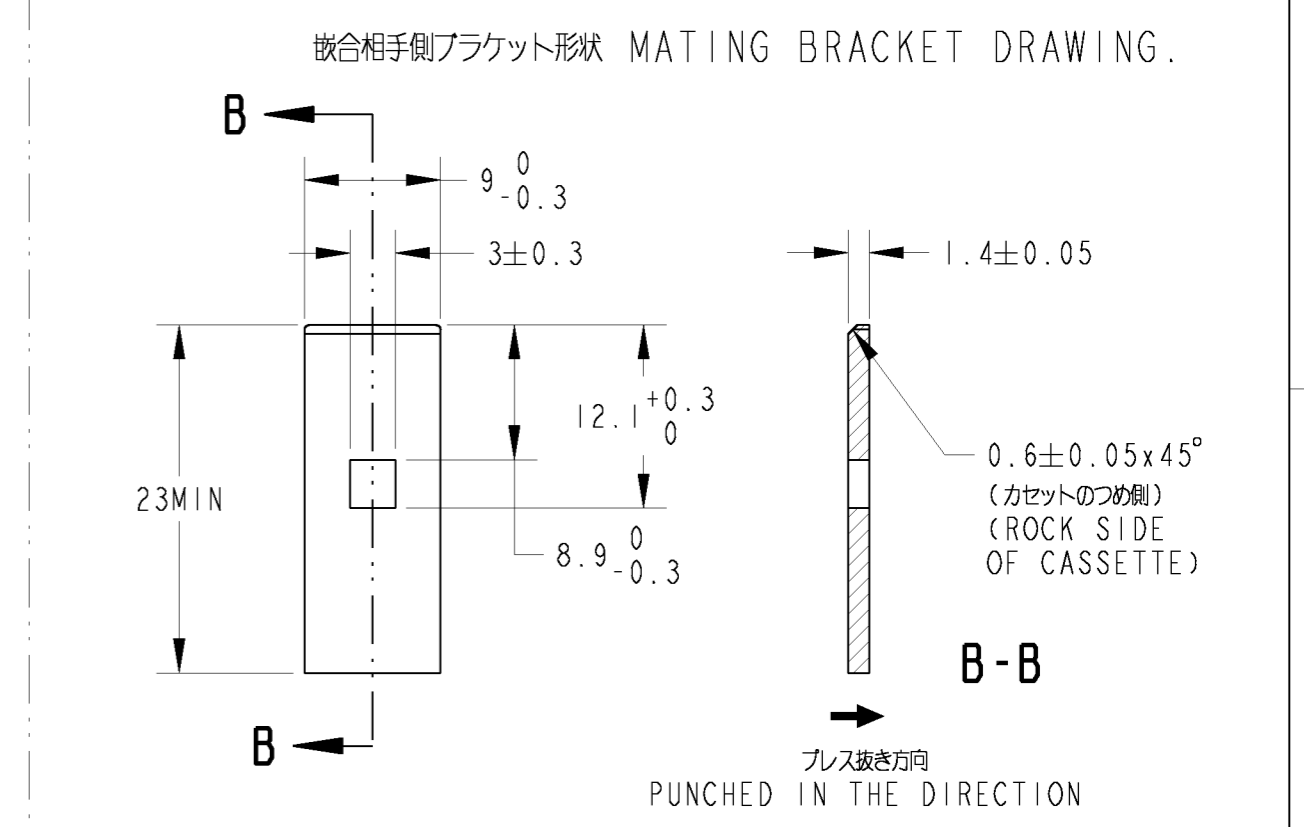
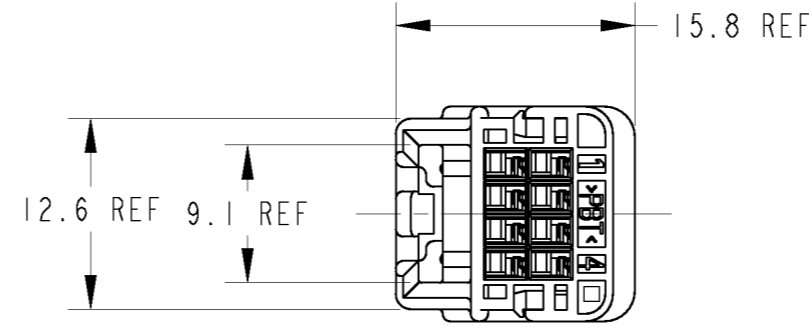
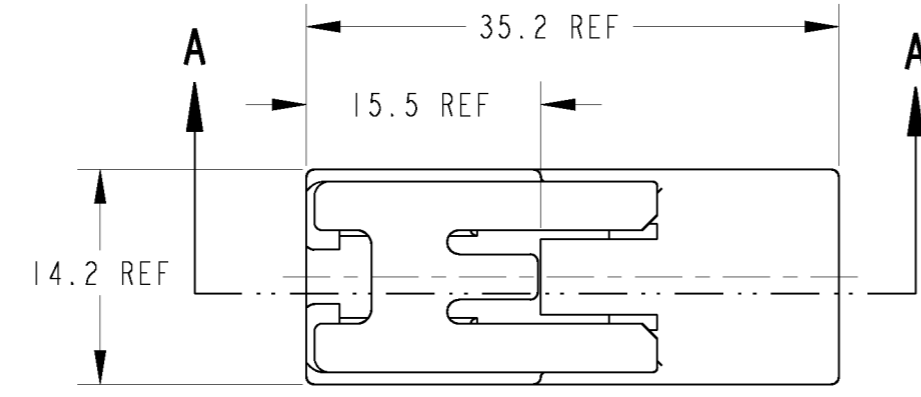
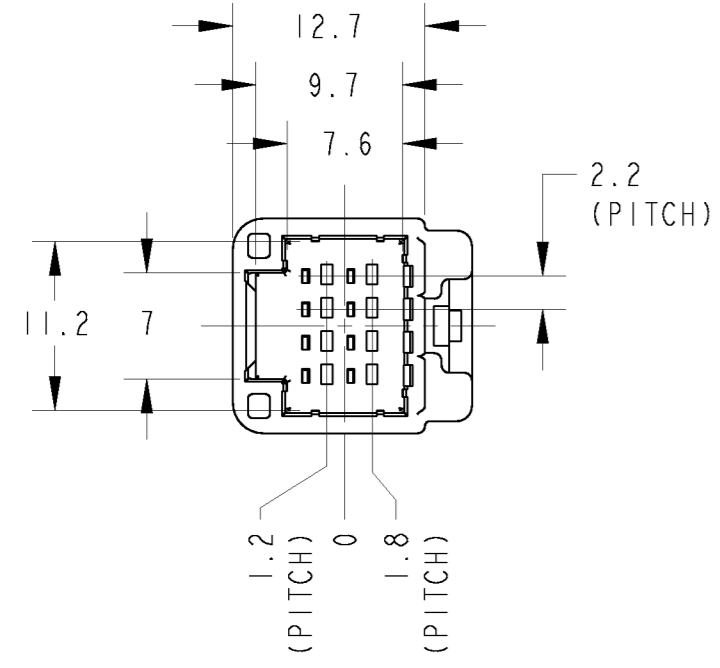
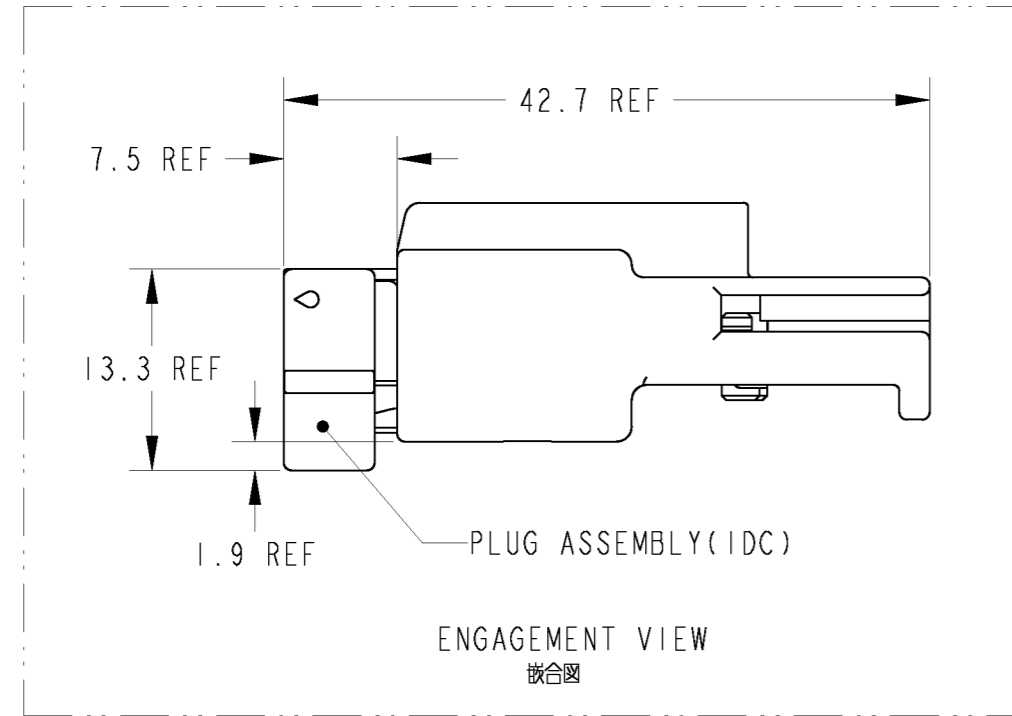


THIS DRAWING IS UNPUBLISHED. RELEASED FOR PUBLICATION 20
 (C) COPYRIGHT 20 ALL RIGHTS RESERVED.

LOC	DIST	REVISIONS					
		P	LTR	DESCRIPTION	DATE	DWN	APVD
J	-	P		REVISED PER ECO-11-005140	09APR2011	RK	HMR



1. キャップハウジングにダブルロックプレートを取付け出荷される。
 2. 適用端子型番; 1376109, 1473818, 1565406
 3. 取扱説明書; 411-5996
 4. 嵌合相手型番; 1473800 & 1473802 (IDC) 1376352
1. PLATE SHOULD BE SET TO THE PRE-ASSEMBLY POSITION WITHIN THE CAP HOUSING WHEN SHIPPED TO THE CUSTOMER
 2. APPLIED TERMINAL; 1376109, 1473818, 1565406
 3. INSTRUCTION SHEET No; 411-5996
 4. PART NUMBER OF PLUG HOUSING TO BE MATED; 1473800 & 1473802 (IDC), 1376352



PAPER BOX ダンボール	PLASTIC BAG ビニール袋	NATURAL	1473793-1
OUTER 外装	INNER 内装	COLOR	PART NUMBER
PACKING STYLE 梱包形態			

THIS DRAWING IS A CONTROLLED DOCUMENT.

DWN S. AMEMIYA	16OCT01	 TE Connectivity	NAME 8POSITION CAP ASSEMBLY 025 IDC CONNECTOR		
CHK N. SAI	16OCT01				
APVD N. SAI	16OCT01				
PRODUCT SPEC 108-5660					
MATERIAL PBT	SEE TABLE	SIZE A2	CAGE CODE 00779	DRAWING NO. C-1473793	RESTRICTED TO -
WEIGHT 3.6		SCALE 2:1	SHEET 1	OF 1	REV P

CUSTOMER DRAWING