

PART NUMBER BREAK DOWN

EXAMPLE: JD-50-1-5

JD

50

1

5

MODEL

DIAMETER

FINISH

SHAFT SIZE

These letters are the model series name.

This value indicates the outer diameter sizing of the knob.

This value indicates the color and finish of the knob.

This value indicates shaft sizing.

50 - .500

1 - CLEAR GLOSS

5 - .250

63 - .625

2 - BLACK GLOSS

6 - .125

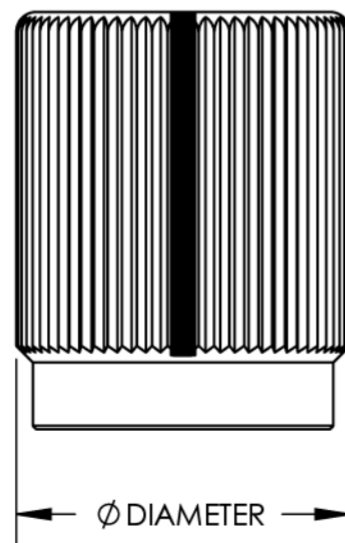
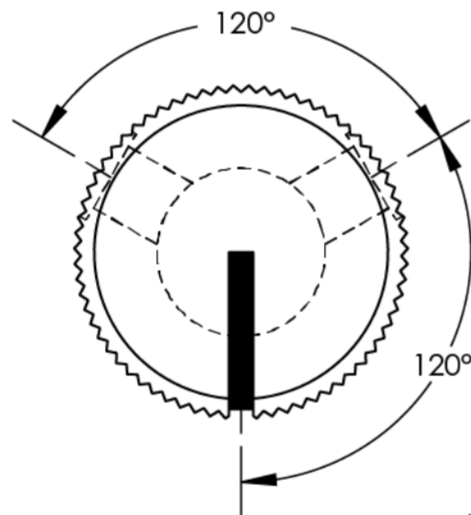
75 - .750

3 - CLEAR MATTE

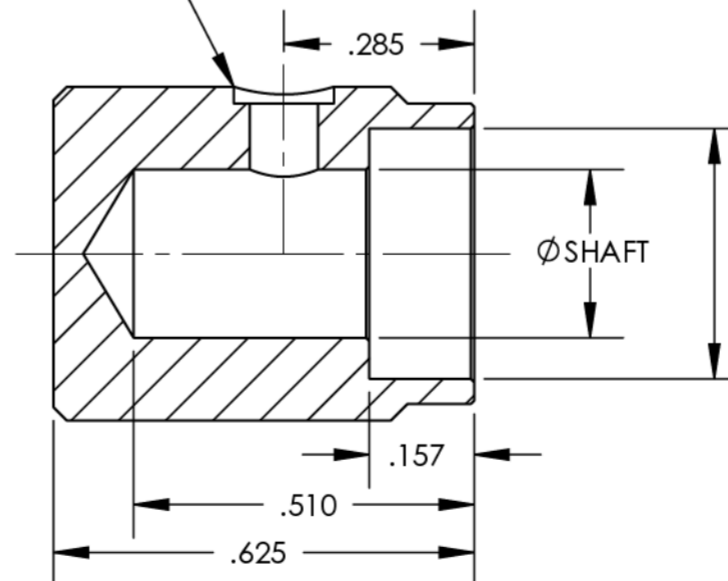
7 - .2375 (6MM)

90 - .925

4 - BLACK MATTE



6-32 SET SCREW



Ø COUNTERBORE
This value is automatically determined when diameter is selected.
50 - .375
63 - .500
75 - .590
90 - .708