

## ESB33 Vertical Push Switches

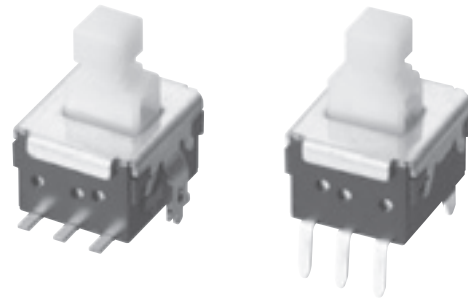
Type: **ESB33 (H=6.0 mm)**

### ■ Features

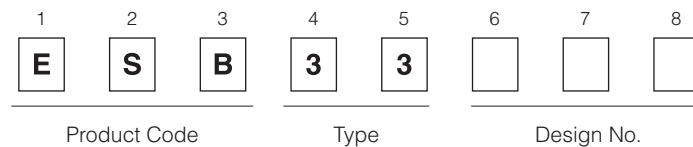
- Low profile (H=6.0 mm)
- 3 N and 5 N operating force available

### ■ Recommended Applications

- Operation switches for automobiles (heater control switches etc.)
- Secondary power switches for lower voltage in consumer electronic equipment and different types of mode switches



### ■ Explanation of Part Numbers



### ■ Specifications

Rating	50 $\mu$ A 3 V DC to 0.2 A 14 V DC (Resistive load)
Travel	Lock travel=1.5 mm Full travel=2.3 mm
Mounting Height	6.0 mm
Poles and Throws	2-poles 2-throws
Operating Mode	Self-lock, Non-lock
Switching Mode	Non-shorting
Minimum Quantity/Packing Unit	100 pcs. Polyethylene Bag (Bulk) / 300 pcs. Embossed Taping (Reel Pack)
Quantity/Cartron	2,000 pcs. Polyethylene Bag (Bulk) / 1,800 pcs. Embossed Taping (Reel Pack)

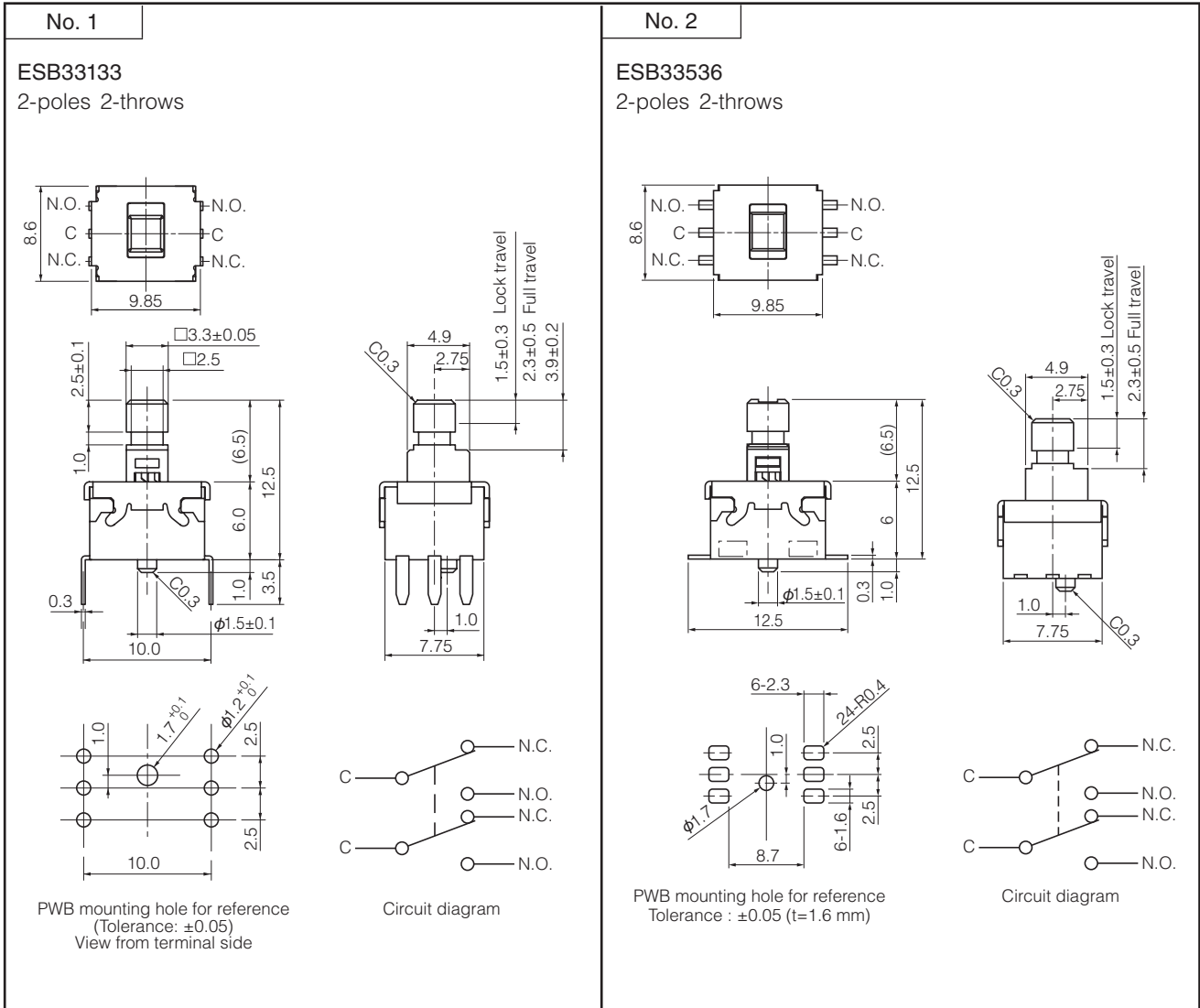
### ■ Standard Products

Operating Mode	Terminals	Packaging	Operating Force	Part Numbers	Lever Color
PP	Wave Soldering	Polyethylene Bag (Bulk)	3.0 N $\pm$ 1.0 N	ESB33133	Light Yellow
NL				ESB33134	
PP	Surface Mount	Embossed Taping (Reel )	3.0 N $\pm$ 1.0 N	ESB33535	Light Yellow
NL				ESB33536	

Note: PP=Self-lock NL=Non-lock

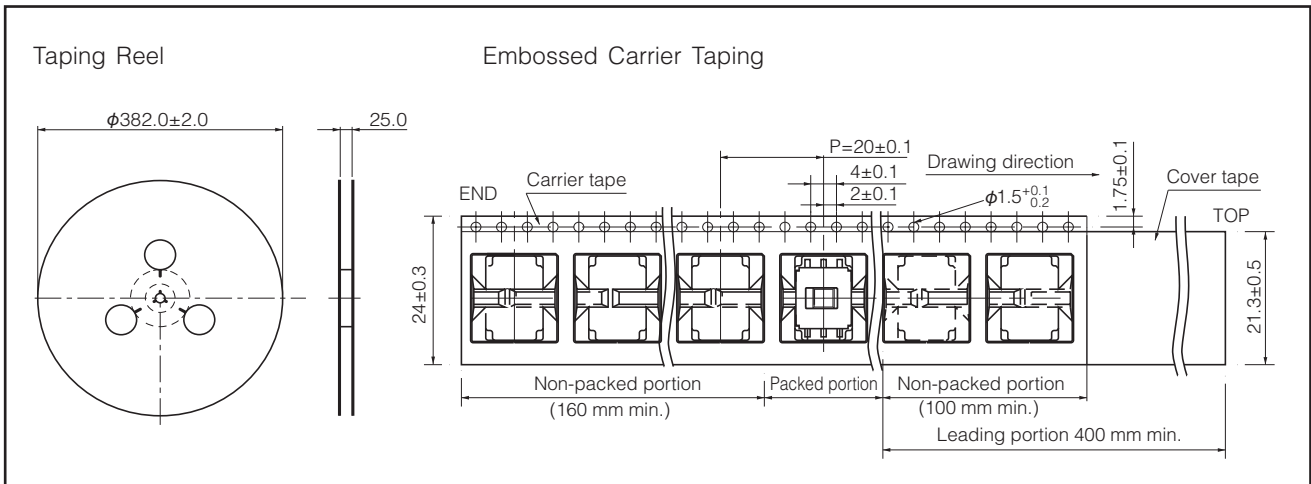
Design and specifications are each subject to change without notice. Ask factory for the current technical specifications before purchase and/or use. Should a safety concern arise regarding this product, please be sure to contact us immediately.

■ Dimensions in mm (not to scale)



■ Packaging Specifications

Standard Reel Dimensions in mm (not to scale)



■ Application Notes:

- Operating force should be applied at the center of the lever.

Design and specifications are each subject to change without notice. Ask factory for the current technical specifications before purchase and/or use.  
 Should a safety concern arise regarding this product, please be sure to contact us immediately.