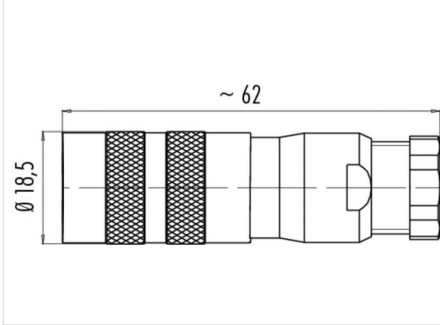


Product **Contacts: 16, female cable connector with shielding ring, shieldable, cable outlet 6- 8 mm, gold plated contacts, UL approval**
 Area **M16 IP67 Series 423**
 Article number **99 5456 15 16**

Illustration



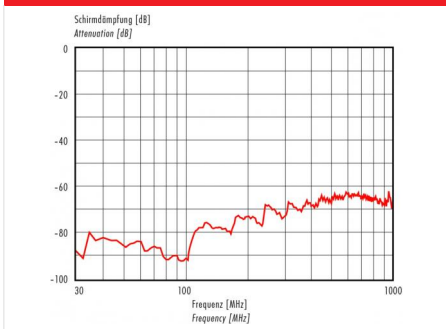
Scale drawing



Contact Arrangement

	X	Y
A	2,50	-4,00
B	4,00	-2,25
C	4,25	0,00
D	4,00	2,40
E	2,30	4,00
F	0,00	4,25
G	-2,30	4,00
H	-4,00	2,40
I	-4,25	0,00
K	-4,00	-2,25
L	-2,50	-4,00
M	0,00	-2,60
N	2,45	-0,80
O	1,50	2,10
P	-1,50	2,10
R	-2,40	-0,80

Attenuation characteristics



You can find the item description and assembly instruction on the next page.

Technical data

General features

Connector Design Female cable connector
 Connector locking system bolted
 Termination solder
 Wire gauge (mm) 0,25 mm²
 Wire gauge (AWG) 24
 Cable outlet 6 - 8 mm
 Upper temperature 95 °C
 Lower temperature -40 °C

Cable data

Approval 1 UL

Electrical parameters

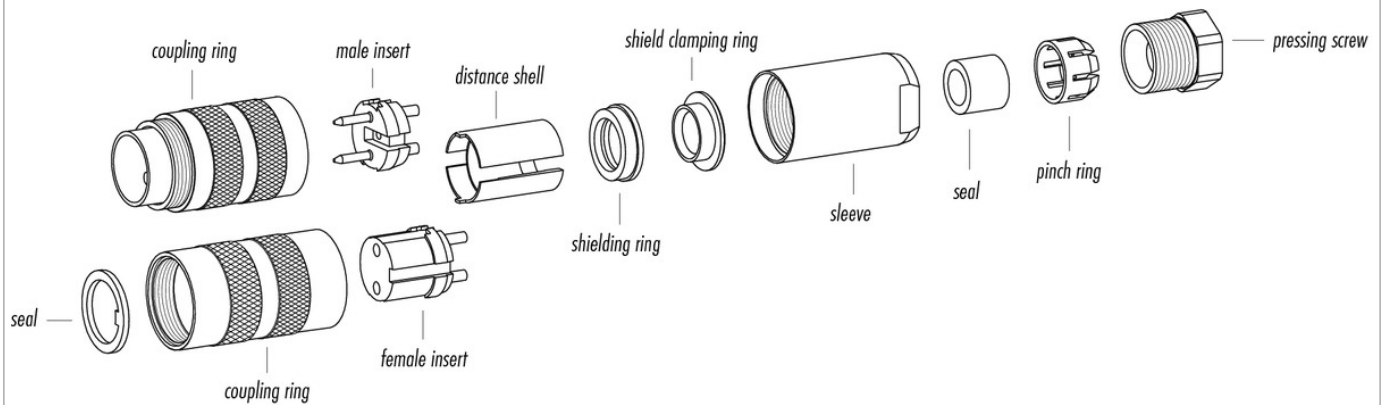
Rated voltage 60 V
 Rated impulse voltage 500 V
 Pollution degree 1
 Overvoltage category I
 Material group III
 Rated current (40°C) 3 A
 Volume resistivity ≤ 3 mΩ
 EMV compliance shielded
 Degree of protection IP67
 Mechanical operation > 500 Mating cycles

Material

Material of contact CuSn (Bronze)
 Contact plating Au (gold)
 Material of contact body PBT (UL 94 V-0)

Product	Contacts: 16, female cable connector with shielding ring, shieldable, cable outlet 6- 8 mm, gold plated contacts, UL approval
Area	M16 IP67 Series 423
Article number	99 5456 15 16

Item description



Installation instructions / Mounting cutout

Gerade Version

(Ausführung mit Schirmklemmung)

1. Druckschraube, Klemmkorb, Dichtung, Distanzhülse und ersten Schirmklemmring auffädeln.
2. Litzen abisolieren, Schirm aufweiten und zweiten Schirmklemmring auffädeln.
3. Litzen anlöten, Distanzhülse montieren, die beiden Klemmringe mit dem Schirm zusammenschieben und überstehenden Schirm abschneiden.
4. Übrige Teile gemäß Darstellung montieren.

Straight version

(Version with shield clamping ring)

1. Bead pressing screw, pinch ring, seal, distance shell and first shield clamping ring on cable.
2. Strip wires, widen shield and bead second shield clamping ring.
3. Solder wires, snap distance shell, push the two shield clamping rings together and cutt off projecting shielding braid.
4. Assemble remaining parts according to picture.

