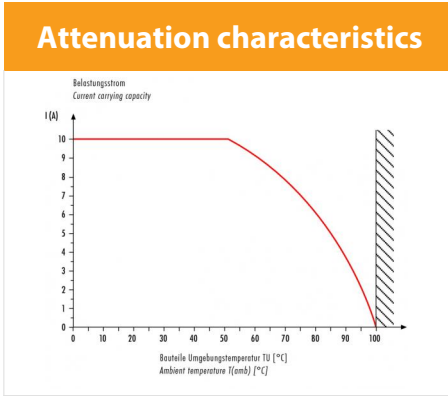
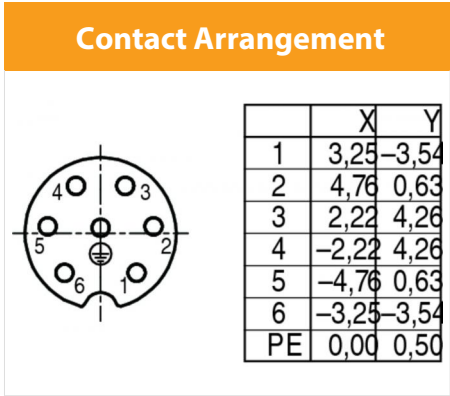
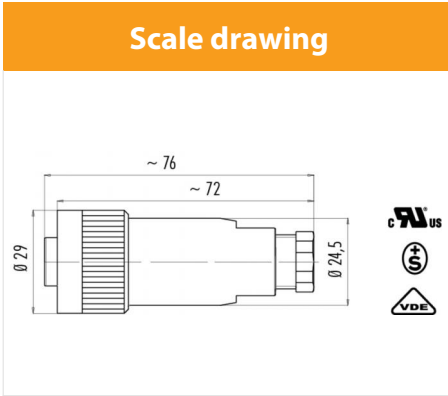


Product **Contacts: 6+PE, female cable connector with cable strain relief, PG 9 with VDE, ETS, UL approval, solder**

Area **RD24 Power Series 692/693**
 Article number **99 4226 00 07**



You can find the item description on the next page.

Technical data

General features

Connector Design	Female cable connector
Connector locking system	bolted
Termination	solder
Wire gauge (mm)	0,75 mm ²
Wire gauge (AWG)	-
Cable outlet	6 - 9,5 mm
Upper temperature	100 °C
Lower temperature	-40 °C

Cable data

Approval 1	UL
Approval 2	ESTI+
Approval 3	VDE

Electrical parameters

Rated voltage	250 V
Rated impulse voltage	4000 V
Pollution degree	3
Overvoltage category	III
Material group	III
Rated current (40°C)	10 A (8 A UL)
Volume resistivity	≤ 5 mΩ
EMV compliance	not shielded
Degree of protection	IP67
Mechanical operation	> 500 Mating cycles

Material

Material of contact	CuSn (Bronze), CuZn (Messing)
Contact plating	Ag (silver)
Material of contact body	PBT (UL 94 V-0)

Product **Contacts: 6+PE, female cable connector with cable strain relief, PG 9 with VDE, ETS, UL approval, solder**

Area **RD24 Power Series 692/693**
Article number **99 4226 00 07**

Item description

