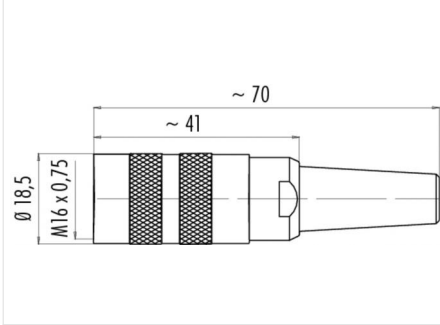


Product **Contacts: 3 DIN, female cable connector with cable clamp, shieldable, cable outlet 6 - 8 mm, silver plated contacts**  
 Area **M16 IP40 Series 581**  
 Article number **99 2006 20 03**

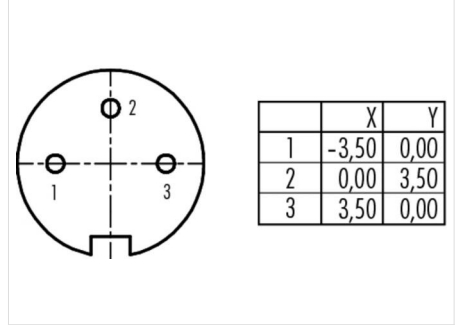
**Illustration**



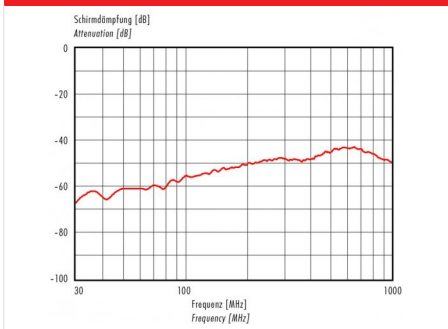
**Scale drawing**



**Contact Arrangement**



**Attenuation characteristics**



You can find the item description on the next page.

**Technical data**

**General features**

Connector Design Female cable connector  
 Connector locking system bolted  
 Termination solder  
 Wire gauge (mm) 0,75 mm<sup>2</sup>  
 Wire gauge (AWG) 20  
 Cable outlet 6 - 7,8 mm  
 Upper temperature 85 °C  
 Lower temperature -40 °C

**Electrical parameters**

Rated voltage 250 V  
 Rated impulse voltage 1500 V  
 Pollution degree 1  
 Overvoltage category I  
 Material group III  
 Rated current (40°C) 7 A  
 Volume resistivity ≤ 5 mΩ  
 Degree of protection IP40

**Material**

Material of contact CuSn (Bronze)  
 Contact plating Ag (silver)  
 Material of contact body PBT (UL 94 V-0)

Product **Contacts: 3 DIN, female cable connector with cable clamp, shieldable, cable outlet 6 - 8 mm, silver plated contacts**

Area **M16 IP40 Series 581**  
Article number **99 2006 20 03**

### Item description

