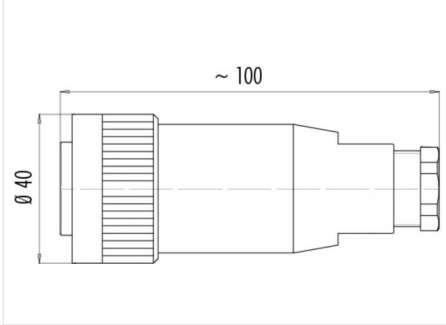


| | |
|----------------|--|
| Product | Contacts: 4+PE, female cable connector with VDE and ETS approval, cable outlet 12 - 14 mm |
| Area | RD30 Power Series 694 |
| Article number | 99 0710 02 05 |

Illustration



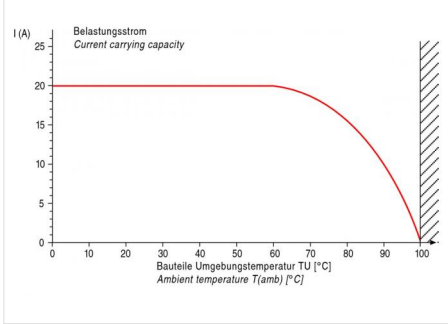
Scale drawing



Contact Arrangement

| | X | Y |
|---|-------|-------|
| 1 | 4,77 | -4,77 |
| 2 | 4,77 | 4,77 |
| 3 | -4,77 | 4,77 |
| 4 | -4,77 | -4,77 |
| ⊕ | 0,00 | 0,00 |

Attenuation characteristics



You can find the item description on the next page.

Technical data

General features

| | |
|--------------------------|------------------------|
| Connector Design | Female cable connector |
| Connector locking system | bolted |
| Termination | screw |
| Wire gauge (mm) | 2,50 mm ² |
| Wire gauge (AWG) | 14 |
| Cable outlet | 12 - 14 mm |
| Upper temperature | 100 °C |
| Lower temperature | -40 °C |

Electrical parameters

| | |
|-----------------------|--------------------|
| Rated voltage | 400 V |
| Rated impulse voltage | 6000 V |
| Pollution degree | 3 |
| Overvoltage category | III |
| Material group | III |
| Rated current (40°C) | 20 A |
| Volume resistivity | ≤ 5 mΩ |
| EMV compliance | not shielded |
| Degree of protection | IP65 |
| Mechanical operation | > 50 Mating cycles |

Cable data

| | |
|------------|-------|
| Approval 1 | ESTI+ |
| Approval 2 | VDE |

Material

| | |
|--------------------------|---------------|
| Material of contact | CuSn (Bronze) |
| Contact plating | Ag (silver) |
| Material of contact body | PA (UL 94 HB) |

Product **Contacts: 4+PE, female cable connector with VDE and ETS approval, cable outlet 12 - 14 mm**

Area **RD30 Power Series 694**
Article number **99 0710 02 05**

Item description

