

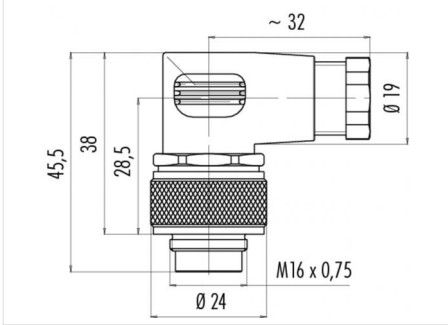
Product **Contacts: 14, male angled connector, cable outlet 6 - 8 mm, gold plated contacts**

Area **M16 IP67 Series 723**
 Article number **99 0451 75 14**

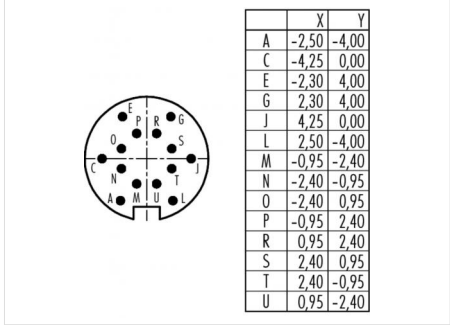
Illustration



Scale drawing



Contact Arrangement



You can find the item description on the next page.

Technical data

General features

Connector Design	male angled connector
Connector locking system	bolted
Termination	solder
Wire gauge (mm)	0,25 mm ²
Wire gauge (AWG)	24
Cable outlet	6 - 8 mm
Upper temperature	95 °C
Lower temperature	-40 °C

Electrical parameters

Rated voltage	60 V
Rated impulse voltage	500 V
Pollution degree	1
Overvoltage category	I
Material group	III
Rated current (40°C)	3 A
Volume resistivity	≤ 3 mΩ
EMV compliance	not shielded
Degree of protection	IP67

Material

Material of contact	CuZn (Messing)
Contact plating	Au (gold)
Material of contact body	PBT (UL 94 V-0)

Product **Contacts: 14, male angled connector, cable outlet 6 - 8 mm, gold plated contacts**

Area **M16 IP67 Series 723**
Article number **99 0451 75 14**

Item description

