

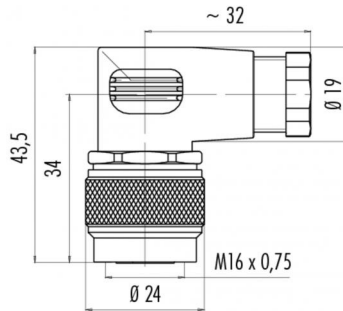
Product **Contacts: 6 DIN, female angled connector, cable outlet 6 - 8 mm, silver plated contacts**

Area **M16 IP67 Series 723**
 Article number **99 0122 75 06**

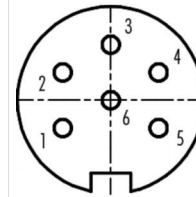
Illustration



Scale drawing



Contact Arrangement



	X	Y
1	-3,03	-1,75
2	-3,03	1,75
3	0,00	3,50
4	3,03	1,75
5	3,03	-1,75
6	0,00	0,00

You can find the item description on the next page.

Technical data

General features

Connector Design	female angled connector
Connector locking system	bolted
Termination	solder
Wire gauge (mm)	0,75 mm ²
Wire gauge (AWG)	20
Cable outlet	6 – 8 mm
Upper temperature	95 °C
Lower temperature	-40 °C

Electrical parameters

Rated voltage	250 V
Rated impulse voltage	1500 V
Pollution degree	1
Overvoltage category	I
Material group	III
Rated current (40°C)	5 A
Volume resistivity	≤ 5 mΩ
EMV compliance	not shielded
Degree of protection	IP67

Material

Material of contact	CuSn (Bronze)
Contact plating	Ag (silver)
Material of contact body	PBT (UL 94 V-0)

Product **Contacts: 6 DIN, female angled connector, cable outlet 6 - 8 mm, silver plated contacts**

Area **M16 IP67 Series 723**
Article number **99 0122 75 06**

Item description

