

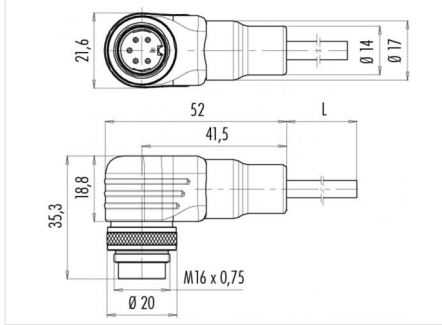
Product **Contacts: 14, cable: 8 x 0.25mm<sup>2</sup>, 2 x 0.5mm<sup>2</sup>, male angled connector**

Area **M16 IP67 Series 425**  
 Article number **79 6251 200 14**

**Illustration**



**Scale drawing**



**Contact Arrangement**

	X	Y
A	-2,50	-4,00
C	-4,25	0,00
E	-2,30	4,00
G	2,30	4,00
J	4,25	0,00
L	2,50	-4,00
M	-0,95	-2,40
N	-2,40	-0,95
O	-2,40	0,95
P	-0,95	2,40
R	0,95	2,40
S	2,40	0,95
T	2,40	-0,95
U	0,95	-2,40

A braun/brown 0,5 mm<sup>2</sup>  
 C -  
 E schwarz/black  
 G rosa/pink  
 J grün/green  
 L blau/blue 0,5 mm<sup>2</sup>  
 M gebrückt mit A/bridged with A  
 N -  
 O violett/purple  
 P weiß/white  
 R rot/red  
 S grau/grey  
 T gelb/yellow  
 U gebrückt mit L/bridged with L

**Technical data**

**General features**

Connector Design	male angled connector
Connector locking system	bolted
Termination	solder, moulded on cable
Wire gauge (mm)	0,25 -0,5 mm <sup>2</sup>
Wire gauge (AWG)	24/20
Cable outlet	-
Upper temperature	70 °C
Lower temperature	-25 °C

**Electrical parameters**

Rated voltage	60 V
Rated impulse voltage	500 V
Pollution degree	1
Overvoltage category	I
Material group	III
Rated current (40°C)	3 A
Volume resistivity	≤ 3 mΩ
EMV compliance	not shielded
Degree of protection	IP67

**Cable data**

material housing	PUR
Insulation single lead	PVC
Single lead structure	32 x 0,1
Cable sheath Ø	8
Bending radius cable fixed	80 mm
Bending radius cable movable	120 mm
Cable diameter	8

**Material**

Material of contact	CuZn (Messing)
Contact plating	Au (gold)
Material of contact body	PBT (UL 94 V-0)
Material of housing	PUR