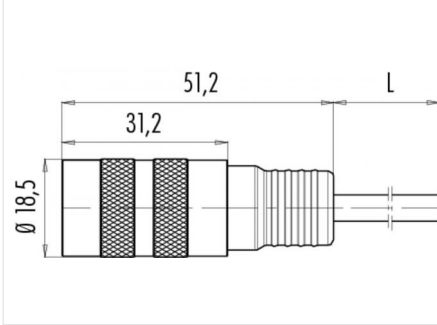


Product **Contacts: 12, cable: 12 x 0.25mm², female cable connector, shielded**
 Area **M16 IP67 Series 425**
 Article number **79 6130 20 12**

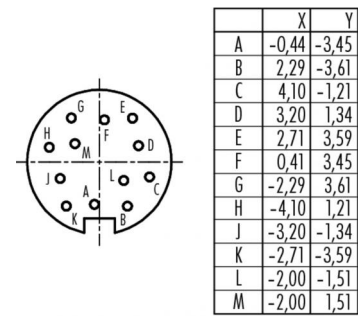
Illustration



Scale drawing



Contact Arrangement



Technical data

General features

Connector Design Female cable connector
 Connector locking system bolted
 Termination solder, moulded on cable
 Wire gauge (mm) 0,25 mm²
 Wire gauge (AWG) 24
 Cable outlet -
 Upper temperature 70 °C
 Lower temperature -25 °C

Electrical parameters

Rated voltage 60 V
 Rated impulse voltage 500 V
 Pollution degree 1
 Overvoltage category I
 Material group III
 Rated current (40°C) 3 A
 Volume resistivity ≤ 3 mΩ
 EMV compliance shielded
 Degree of protection IP67

Cable data

material housing PUR
 Insulation single lead PE
 Single lead structure 14x0,15 mm
 Cable sheath Ø 7.8
 Bending radius cable fixed 78 mm
 Bending radius cable movable 117 mm
 Cable diameter 7.8

Material

Material of contact CuSn (Bronze)
 Contact plating Au (gold)
 Material of contact body PBT (UL 94 V-0)
 Material of housing PUR