

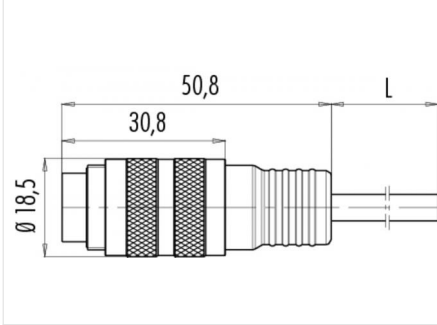
Product **Contacts: 14, cable: 8 x 0.25mm², 2 x 0.5mm², cable plug connector**

Area **M16 IP67 Series 425**
 Article number **79 6051 20 14**

Illustration



Scale drawing



Contact Arrangement

	X	Y	
A	-2,50	-4,00	A braun/brown 0,5 mm ²
C	-4,25	0,00	C -
E	-2,30	4,00	E schwarz/black
G	2,30	4,00	G rosa/pink
J	4,25	0,00	J grün/green
L	2,50	-4,00	L blau/blue 0,5 mm ²
M	-0,95	-2,40	M gebrückt mit A/bridged with A
N	-2,40	-0,95	N -
O	-2,40	0,95	O violett/purple
P	-0,95	2,40	P weiß/white
R	0,95	2,40	R rot/red
S	2,40	0,95	S grau/grey
T	2,40	-0,95	T gelb/yellow
U	0,95	-2,40	U gebrückt mit L/bridged with L

Technical data

General features

Connector Design	Cable Connector
Connector locking system	bolted
Termination	solder, moulded on cable
Wire gauge (mm)	0,25 -0,5 mm ²
Wire gauge (AWG)	24/20
Cable outlet	-
Upper temperature	70 °C
Lower temperature	-25 °C

Electrical parameters

Rated voltage	60 V
Rated impulse voltage	500 V
Pollution degree	1
Overvoltage category	I
Material group	III
Rated current (40°C)	3 A
Volume resistivity	≤ 3 mΩ
EMV compliance	not shielded
Degree of protection	IP67

Cable data

material housing	PUR
Insulation single lead	PVC
Single lead structure	32 x 0,1
Cable sheath Ø	8
Bending radius cable fixed	80 mm
Bending radius cable movable	120 mm
Cable diameter	8

Material

Material of contact	CuZn (Messing)
Contact plating	Au (gold)
Material of contact body	PBT (UL 94 V-0)
Material of housing	PUR