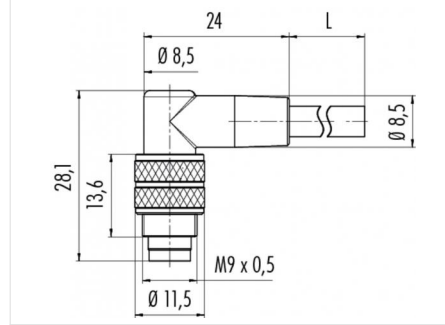


Product **Contacts: 5, male angled connector overmoulded, unshielded, cable length 2 m**
 Area **M9 IP67 Series 702**
 Article number **79 1455 272 05**

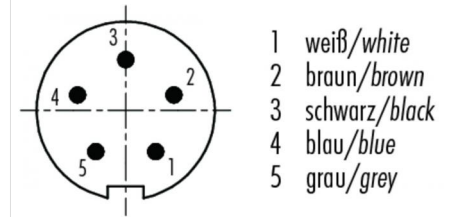
Illustration



Scale drawing



Contact Arrangement



Technical data

General features

Connector Design	male angled connector
Connector locking system	bolted
Termination	molded on cable
Wire gauge (mm)	0,25 mm ²
Wire gauge (AWG)	24
Cable outlet	-
Upper temperature	70 °C
Lower temperature	-25 °C

Cable data

material housing	PUR
Insulation single lead	PVC
Single lead structure	32 x 0,1 mm
Cable sheath Ø	5
Conductor resistance	72Ω/Km
Temperature range cable movable °C from	-5
Temperature range cable movable °C to	70
Temperature range cable fixed °C from	-25
Temperature range cable fixed °C to	70
Bending radius cable fixed	Min. 25 mm
Bending radius cable movable	Min. 50 mm

Electrical parameters

Rated voltage	125 V
Rated impulse voltage	1500 V
Pollution degree	1
Overvoltage category	II
Material group	III
Rated current (40°C)	3 A
Volume resistivity	≤ 3 mΩ
EMV compliance	not shielded
Degree of protection	IP67
Mechanical operation	> 500 Mating cycles

Material

Material of contact	CuZn (Messing)
Contact plating	Au (gold)
Material of contact body	PBT (UL 94 V-0)
Material of housing	PUR