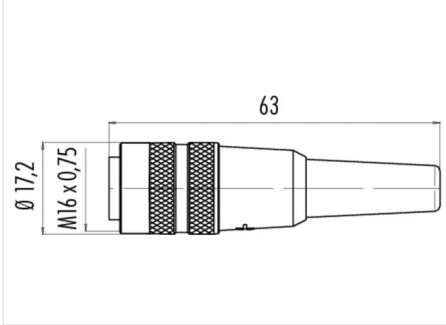


Product	<b>Contacts: 8 DIN, female cable connector, cable outlet 3 - 6 mm, silver plated contacts</b>
Area	<b>M16 IP40 Series 680</b>
Article number	<b>09 0572 00 08</b>

**Illustration**



**Scale drawing**



**Contact Arrangement**

	X	Y
1	-3,50	0,00
2	0,00	3,50
3	3,50	0,00
4	-2,47	2,47
5	2,47	2,47
6	-2,47	-2,47
7	2,47	-2,47
8	0,00	-0,70

You can find the item description on the next page.

**Technical data**

**General features**

Connector Design	Female cable connector
Connector locking system	bolted
Termination	solder
Wire gauge (mm)	0,75 mm <sup>2</sup>
Wire gauge (AWG)	20
Cable outlet	4 - 6 mm
Upper temperature	85 °C
Lower temperature	-40 °C

**Electrical parameters**

Rated voltage	60 V
Rated impulse voltage	500 V
Pollution degree	1
Overvoltage category	I
Material group	III
Rated current (40°C)	5 A
Volume resistivity	≤ 5 mΩ
EMV compliance	not shielded
Degree of protection	IP40

**Material**

Material of contact	CuSn (Bronze)
Contact plating	Ag (silver)
Material of contact body	PBT (UL 94 V-0)

Product **Contacts: 8 DIN, female cable connector, cable outlet 3 - 6 mm, silver plated contacts**

Area **M16 IP40 Series 680**  
Article number **09 0572 00 08**

Item description

