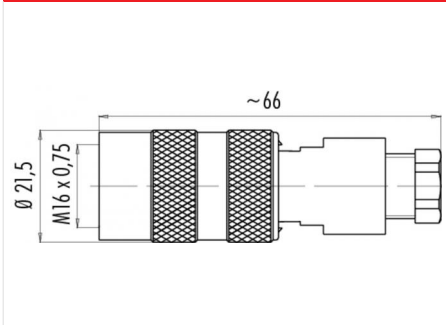


Product	Contacts: 14, female cable connector, cable outlet 6 - 8 mm, gold plated contacts
Area	M16 IP67 Series 723
Article number	09 0452 70 14

Illustration



Scale drawing



Contact Arrangement

	X	Y
A	2,50	-4,00
C	4,25	0,00
E	2,30	4,00
G	-2,30	4,00
J	-4,25	0,00
L	-2,50	4,00
M	0,95	-2,40
N	2,40	-0,95
O	2,40	0,95
P	0,95	2,40
R	-0,95	2,40
S	-2,40	0,95
T	-2,40	-0,95
U	-0,95	-2,40

You can find the item description on the next page.

Technical data

General features

Connector Design	Female cable connector
Connector locking system	bolted
Termination	solder
Wire gauge (mm)	0,25 mm ²
Wire gauge (AWG)	24
Cable outlet	6 – 8 mm
Upper temperature	95 °C
Lower temperature	-40 °C

Electrical parameters

Rated voltage	60 V
Rated impulse voltage	500 V
Pollution degree	1
Overvoltage category	I
Material group	III
Rated current (40°C)	3 A
Volume resistivity	≤ 3 mΩ
EMV compliance	not shielded
Degree of protection	IP67

Material

Material of contact	CuSn (Bronze)
Contact plating	Au (gold)
Material of contact body	PBT (UL 94 V-0)

Product **Contacts: 14, female cable connector, cable outlet 6 - 8 mm, gold plated contacts**

Area **M16 IP67 Series 723**
Article number **09 0452 70 14**

Item description

