

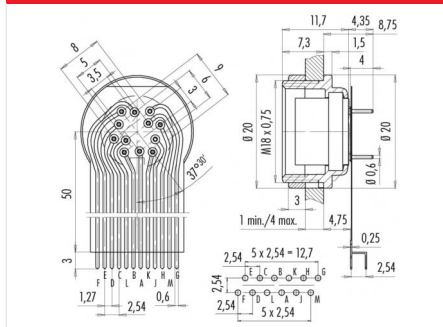
Product **Contacts: 12, female panel mount connector with flexible plate, screwed from front, gold plated contacts, double-row**

Area **M16 IP40 Series 581/ 680/ 682**
Article number **09 0332 66 12**

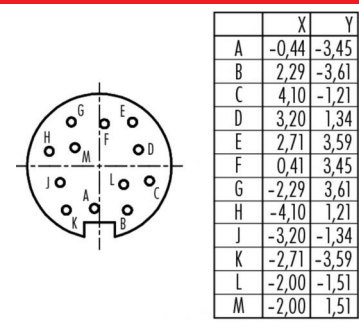
Illustration



Scale drawing



Contact Arrangement



You can find the assembly instruction on the next page.

Technical data

General features

Connector Design	female panel mount connector
Connector locking system	bolted
Termination	dip-solder
Wire gauge (mm)	-
Wire gauge (AWG)	-
Upper temperature	85 °C
Lower temperature	-40 °C

Electrical parameters

Rated voltage	60 V
Rated impulse voltage	500 V
Pollution degree	1
Overvoltage category	I
Material group	III
Rated current (40°C)	2 A
Volume resistivity	≤ 3 mΩ
EMV compliance	shielded
Degree of protection	IP40
Mechanical operation	> 500 Mating cycles

Material

Material of contact	CuSn (Bronze)
Contact plating	Au (gold)
Material of contact body	PBT (UL 94 V-0)

Product **Contacts: 12, female panel mount connector with flexible plate, screwed from front, gold plated contacts, double-row**

Area **M16 IP40 Series 581/ 680/ 682**
Article number **09 0332 66 12**

Installation instructions / Mounting cutout

